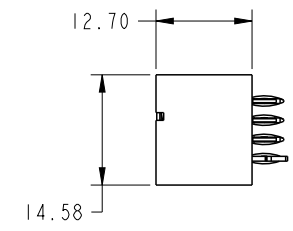
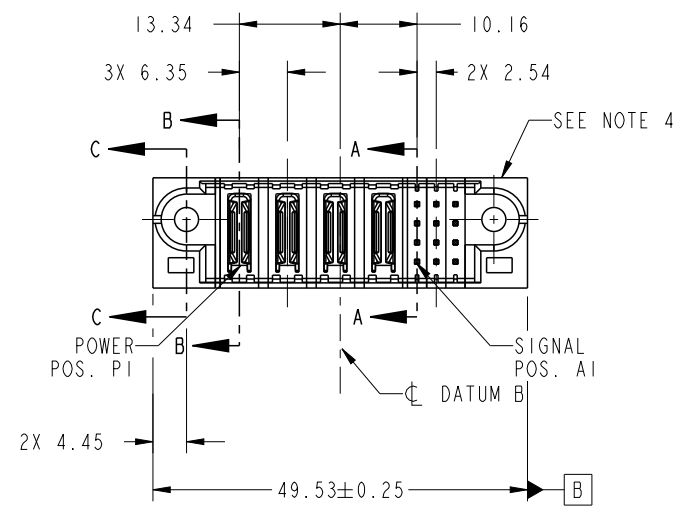
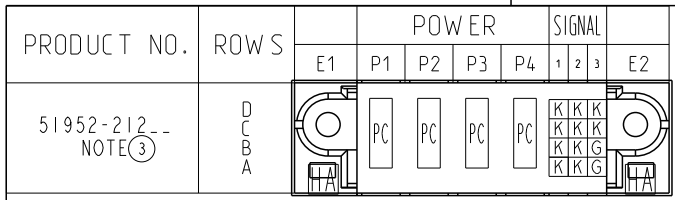


1

2

3

4



CODE	DIM "M" MATING LENGTH	CONTACT TYPE
PC	[N/A]	POWER
K	[5.59]	SIGNAL
HA	[N/A]	HOLD-DOWN
G	[6.86]	SIGNAL



Copyright FCI.

spec ref	See Notes		dr	Shi Guang	2012/05/23	projection 	MM ←→	size	A4	scale	1:1
tolerance std	TOLERANCES UNLESS OTHERWISE SPECIFIED		eng	Ruan MT	2013/02/27			ecn no	-		
See Notes			chr	-	-			rel level	Released		
surface	✓	linear	0.X	±0.50	 <b>www.fci.com</b>	title 4P + 12S VERTICAL PRESS FIT HEADER	dwg no 51952-212	rev A			
			0.XX	±0.25							
			0.XXX	±0.10							
		angular	0°	±2°	cat. no.	Product - Customer Drw	sheet 1 of 4				

PrdE File - REV C - 2009-06-09

1

2

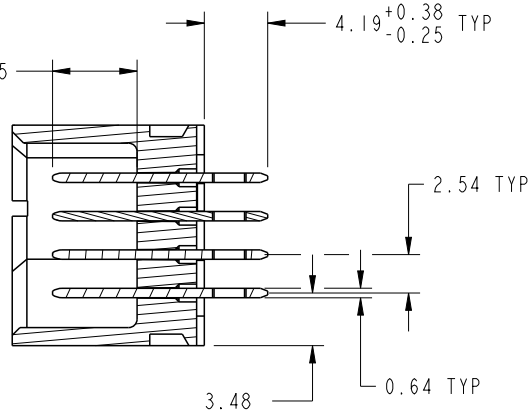
3

4

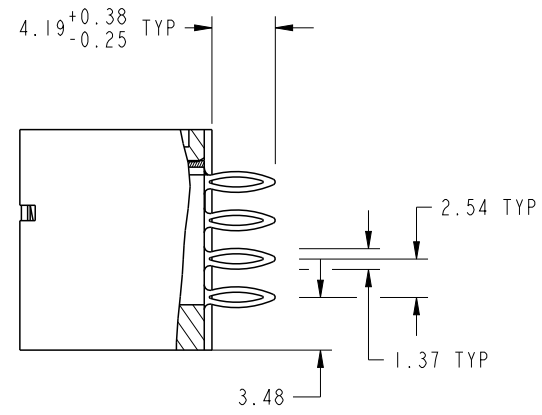
PRODUCT NUMBER

51952-212--  
NOTE 3

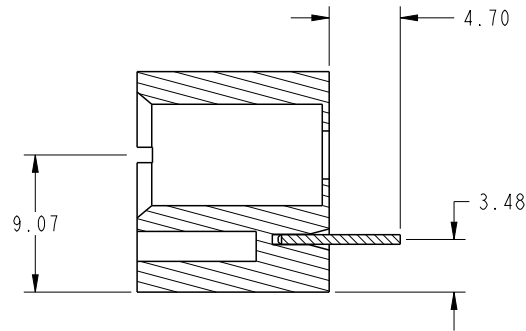
DIM "M" ±0.25



SECTION A-A  
SCALE 2:1



SECTION B-B  
SCALE 2:1

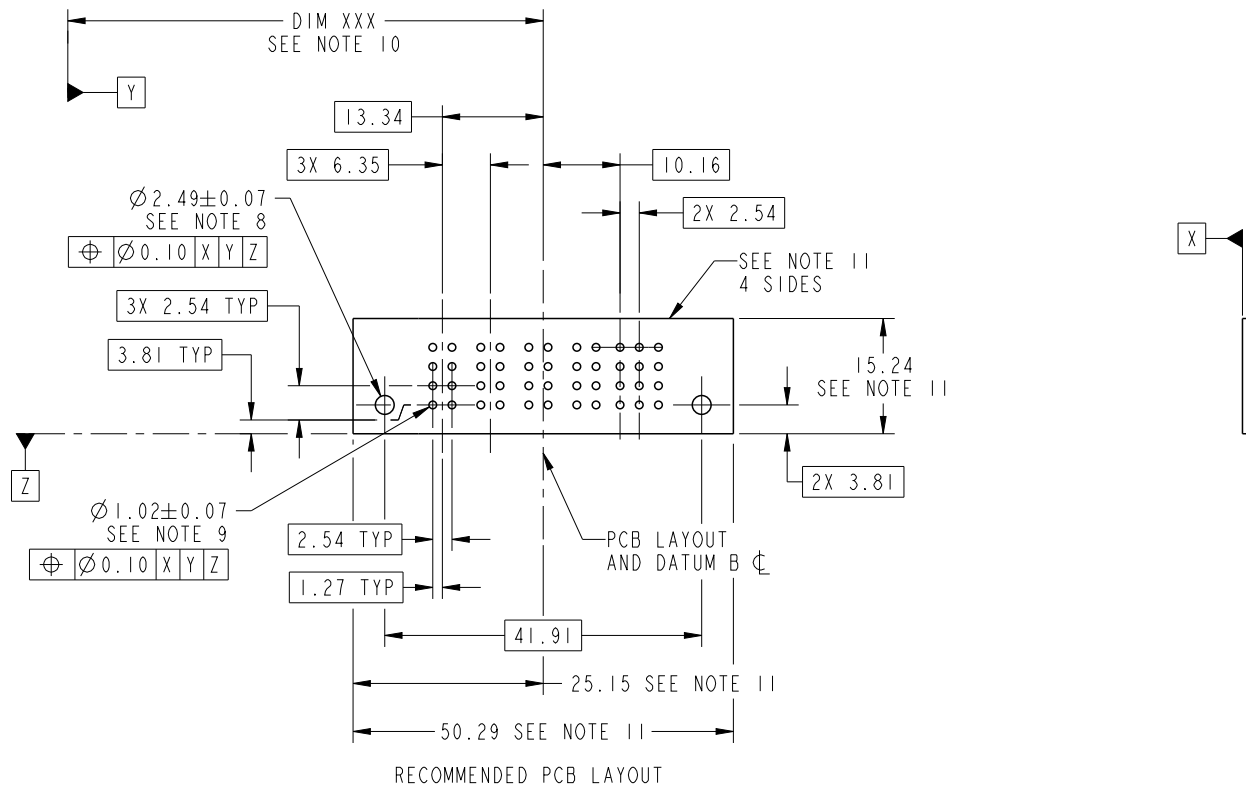


SECTION C-C  
SCALE 2:1

dr	Shi Guang	2012/05/23	projection 	MM ←————→	size	A4	scale	1:1
eng	Ruan MT	2013/02/27			ecn no	-		
chr	-	-			product family	PwrBlade	rel level	Released
appr	Pei-Ming Zheng	2013/02/27			title 4P + 12S VERTICAL PRESS FIT HEADER	dwg no 51952-212	rev A	
www.fci.com		cat. no.	Product - Customer Drw			sheet 2 of 4		

PRODUCT NUMBER

51952-212--  
NOTE 3



RECOMMENDED PCB LAYOUT

dr	Shi Guang	2012/05/23	projection 	MM 	size	A4	scale	1:1	
eng	Ruan MT	2013/02/27			ecn no	-			
chr	-	-			rel level	Released			
appr	Pei-Ming Zheng	2013/02/27	product family	PwrBlade					
		title	4P + 12S VERTICAL PRESS FIT HEADER		dwg no	51952-212		rev	A
www.fci.com		cat. no.	Product - Customer Drw			sheet 3 of 4			

PRODUCT NUMBER

51952-212\_\_  
NOTE 3

NOTES:

1. DIMENSIONS AND TOLERANCES ARE IN ACCORDANCE WITH ASME Y14.5M, 1994 UNLESS OTHERWISE SPECIFIED.

CONNECTOR NOTES:

- ② HOUSING MATERIAL: UL 94 V-0 GLASS FILLED HIGH-TEMP THERMOPLASTIC  
POWER CONTACT MATERIAL: COPPER ALLOY  
SIGNAL PIN MATERIAL: COPPER ALLOY
- 3. SEE ITEM 3 & 4 IN PRINT 10064183 FOR PLATING SPEC OF 51952-212 AND 51952-212LF RESPECTIVELY.

④ MANUFACTURER'S NAME, DATE CODE AND OPTIONAL P/N TO APPEAR ON THIS SURFACE. THE P/N CAN BE OMITTED IF THERE IS NOT ENOUGH SPACE ON THIS SURFACE.

5. PRODUCT SPECIFICATION GS-12-149.  
APPLICATION SPECIFICATION BUS-20-067.

6. PACKAGED IN TRAYS.

PCB NOTES:

- 7. ALL HOLE DIAMETERS ARE FINISHED HOLE SIZE.
- 8. MOUNTING HOLES, WHERE APPLICABLE, ARE UNPLATED.

⑨  $\varnothing 1.151 \pm 0.025$  DRILLED HOLES PLATED WITH 0.008 MIN SnPb OR Sn OVER .001 [0.03] TO 0.08 Cu PLATING TO ACHIEVE  $\varnothing 1.02 \pm 0.07$  HOLE.

⑩ "DIM XXX" TO BE DETERMINED BY THE CUSTOMER.

⑪ CONNECTOR KEEP-OUT ZONE.

12. FOR PRESS FIT APPLICATION USE FCI CAM TOOL 430169-XXX.

dr	Shi Guang	2012/05/23	projection 	MM 	size	A4	scale	1:1	
eng	Ruan MT	2013/02/27			ecn no	-			
chr	-	-							
appr	Pei-Ming Zheng	2013/02/27	product family	PwrBlade	rel level	Released			
	title	4P + 12S VERTICAL PRESS FIT HEADER			dwg no	51952-212		rev	A
www.fci.com	cat. no.	Product - Customer Drw			sheet 4 of 4				



Copyright FCI.