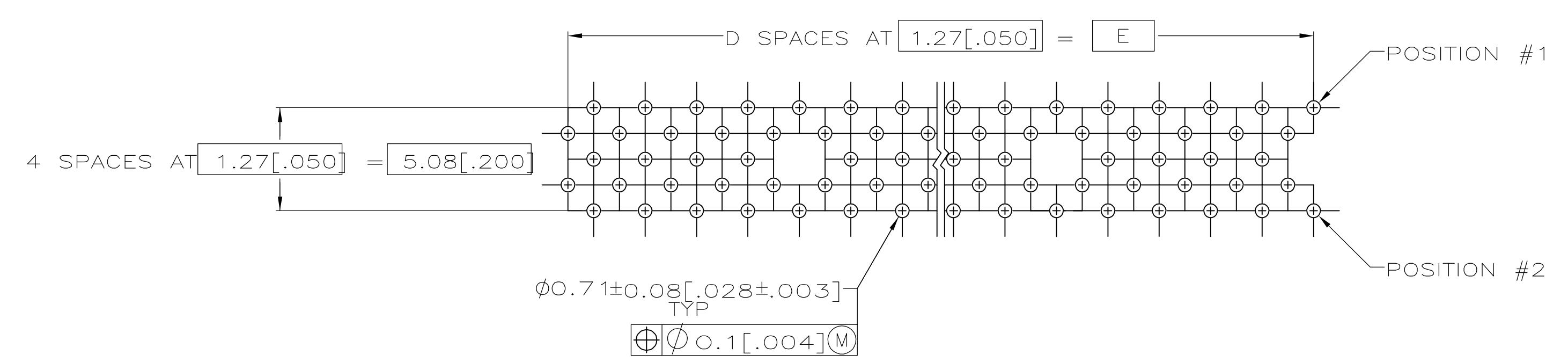
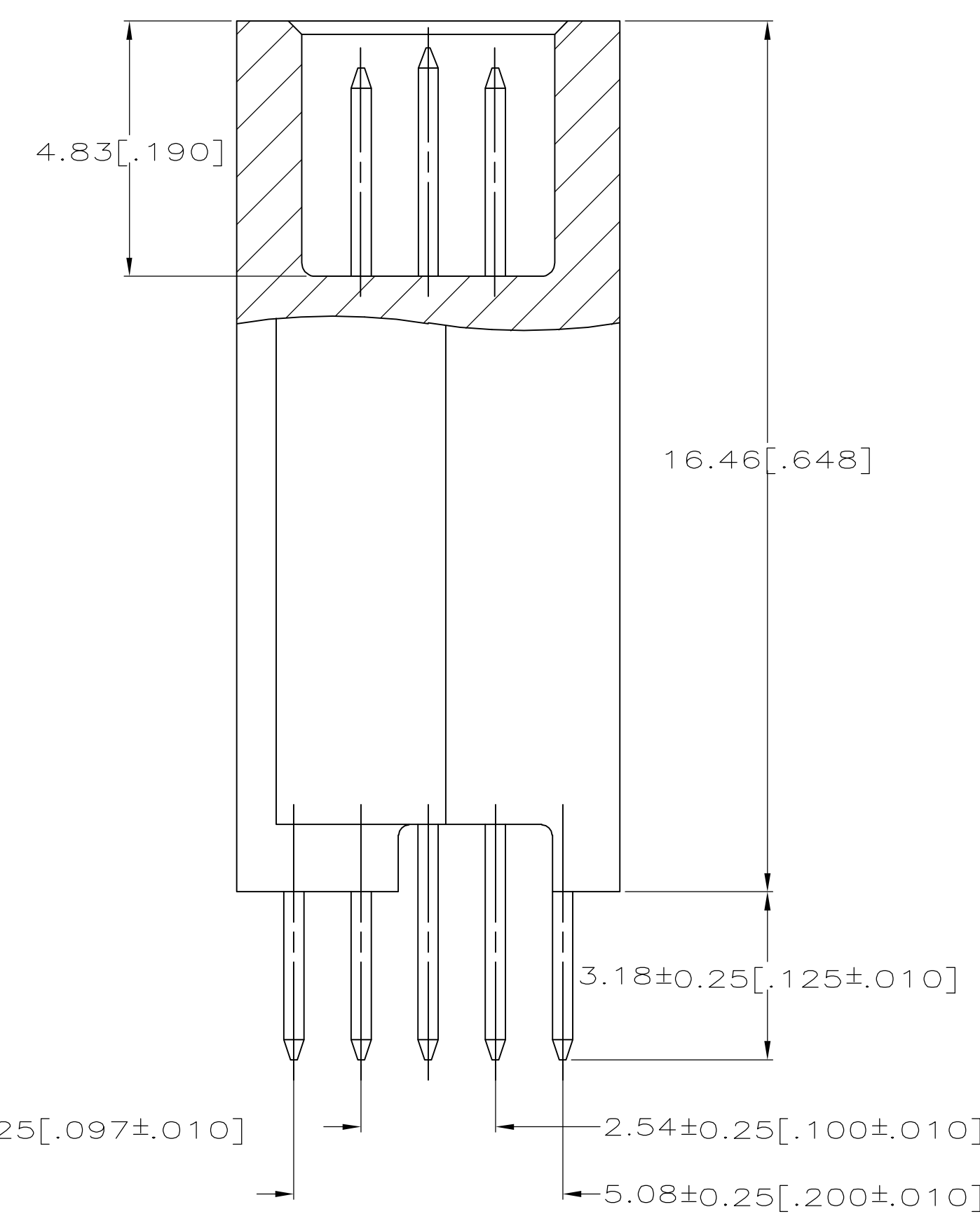
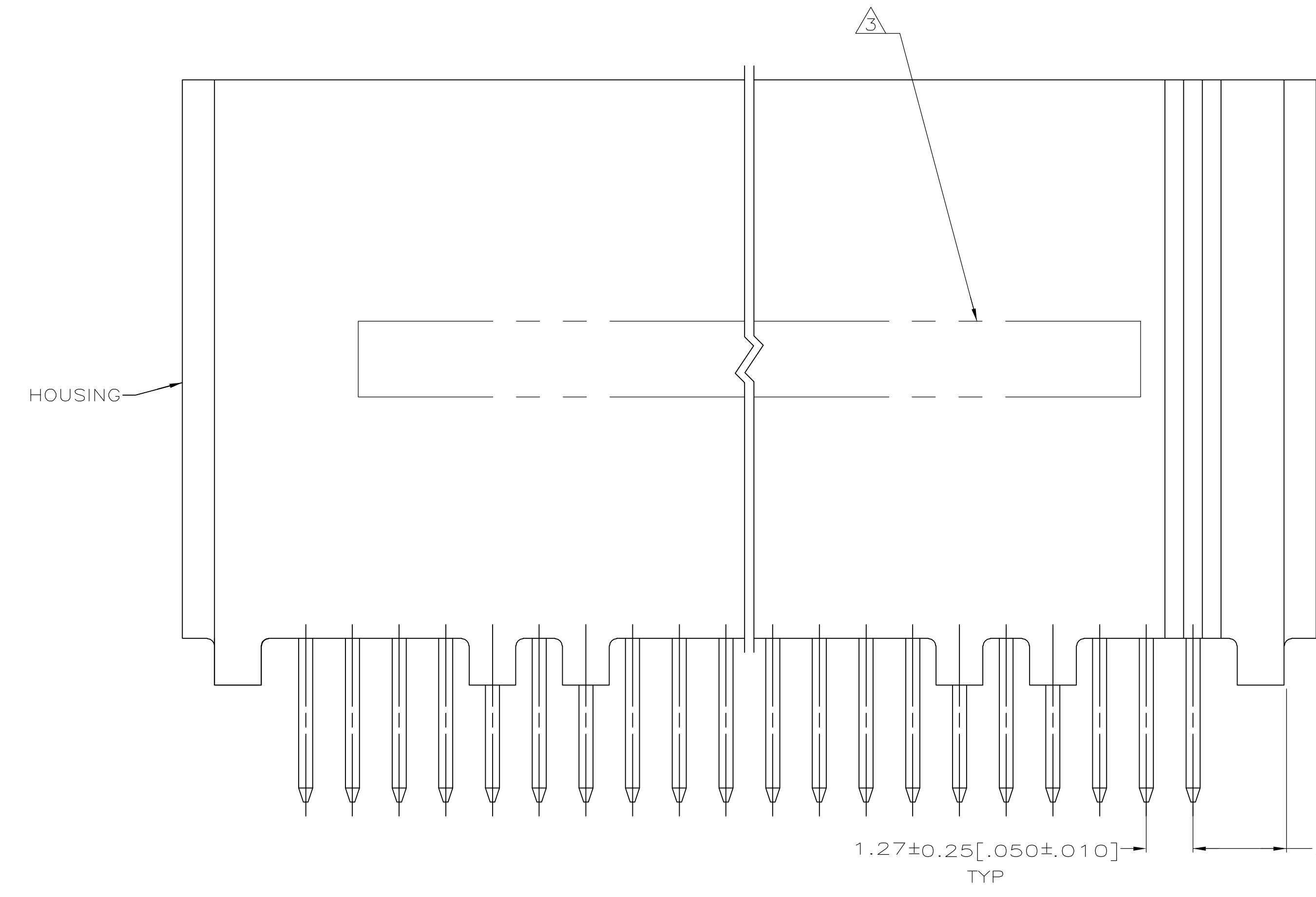


- ① HOUSING: HIGH TEMPERATURE THERMOPLASTIC, COLOR NATURAL.
 PIN CONTACTS: PHOSPHOR BRONZE.
 GROUND BUSES: PHOSPHOR BRONZE.
- ② PIN CONTACTS: 0.00076[.000030] MIN GOLD IN CONTACT AREA,
 0.00254-0.00762[.000100-.000300] TIN-LEAD ON SOLDER TAIL,
 ALL OVER 0.00127-0.00254[.000050-.000100] NICKEL ON ENTIRE CONTACT.
- ③ AMP AND DATE CODE MARKED IN AREA INDICATED, ON SAME SIDE AS POSITION NUMBER 2 INDICATOR.
- ④ ONE GROUND BUS WITH 4 TAILS PER EACH 20 PIN CONTACTS.



RECOMMENDED PC BOARD HOLE LAYOUT
 (VIEWED FROM CONNECTOR SIDE)

125.73[4.950]	99	128.22[5.048]	130.81[5.150]	132.44[5.214]	200	149011-9
113.03[4.450]	89	115.52[4.548]	118.11[4.650]	119.74[4.714]	180	149011-8
100.33[3.950]	79	102.82[4.048]	105.41[4.150]	107.04[4.214]	160	149011-7
87.63[3.450]	69	90.12[3.548]	92.71[3.650]	94.34[3.714]	140	149011-6
74.93[2.950]	59	77.42[3.048]	80.01[3.150]	81.64[3.214]	120	149011-5
62.23[2.450]	49	64.72[2.548]	67.31[2.650]	68.94[2.714]	100	149011-4
49.53[1.950]	39	52.02[2.048]	54.61[2.150]	56.24[2.214]	80	149011-3
36.83[1.450]	29	39.32[1.548]	41.91[1.650]	43.54[1.714]	60	149011-2
OBSOLETE	19	26.62[1.048]	29.21[1.150]	30.84[1.214]	40	149011-1
E	D	C	B	A	NO OF POS	PART NUMBER

THIS DRAWING IS A CONTROLLED DOCUMENT.

DIMENSIONS: mm [INCHES]	TOLERANCES UNLESS OTHERWISE SPECIFIED:	DWN J.GERACE 11-29-94	tyco Electronics Tyco Electronics Corporation Harrisburg, PA 17105-3608
0 PLC ± -	1 PLC ± -	CHK P.MATAR 11-29-94	NAME PLUG ASSEMBLY, 18.75[.738] STACK, 3.18[.125] TAIL, BOARD TO BOARD, MICROSTRIP
2 PLC ± -	3 PLC ± 0.13[.005]	APVD A.MONK 11-29-94	SIZE CAGE CODE DRAWING NO RESTRICTED TO
4 PLC ± -	ANGLES ± -	PRODUCT SPEC 108-1272	A1 00779 ©=149011
MATERIAL ①	FINISH ②	APPLICATION SPEC 114-11005	WEIGHT -
CUSTOMER DRAWING		SCALE 10:1	SHEET 1 OF 1 REV B