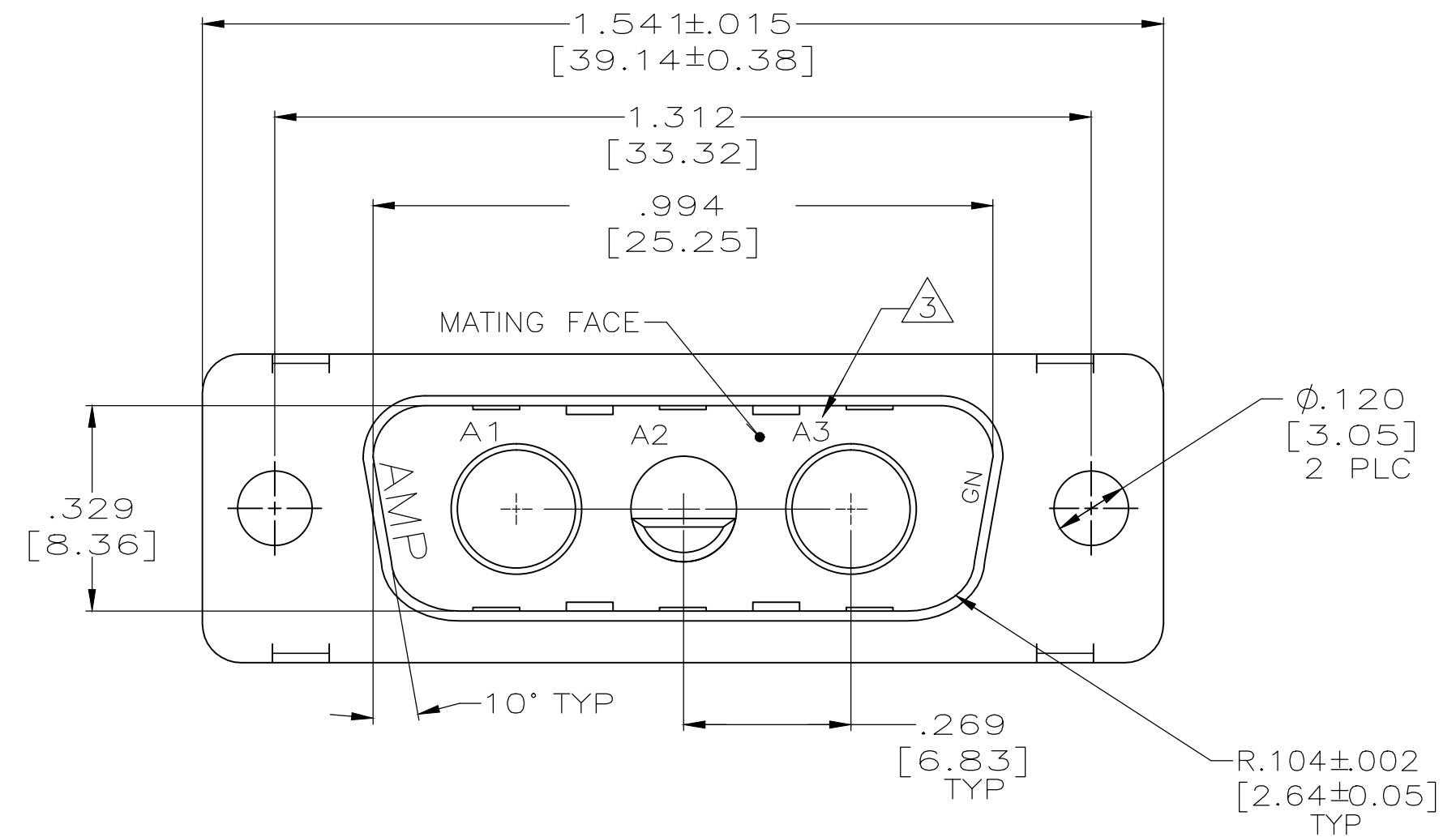
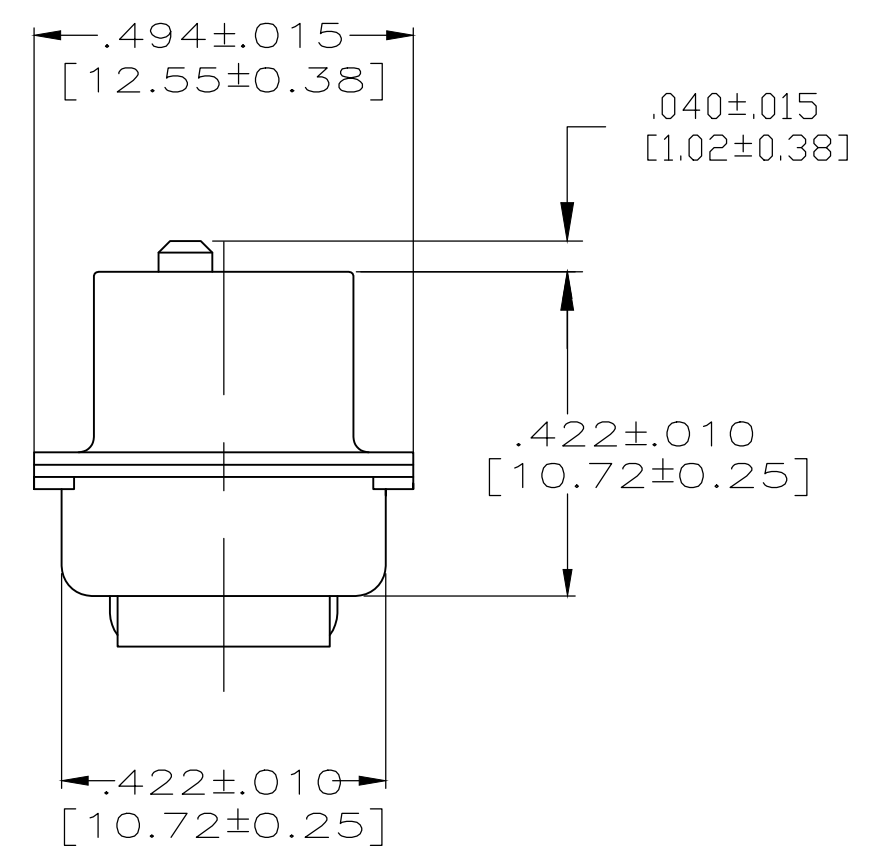
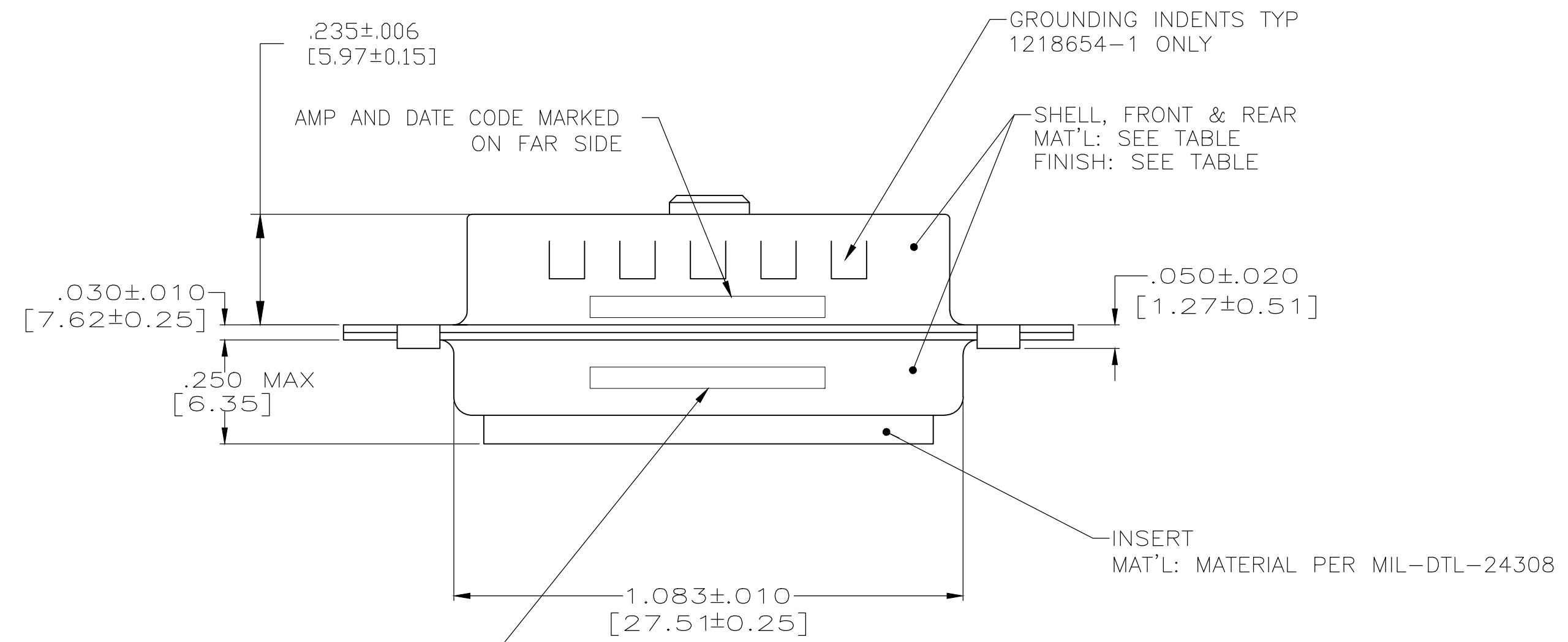


THIS DRAWING IS UNPUBLISHED. RELEASED FOR PUBLICATION
 © COPYRIGHT - By - ALL RIGHTS RESERVED.

LOC	DIST	REVISIONS					
DF	DO	P	LTR	DESCRIPTION	DATE	DWN	APVD
		E		REVISED PER ECO-15-005922	27-May-15	MGM	CT



1. THIS PLUG WILL ONLY MATE WITH AMP PART NO. 1218655-3.
 2. THIS CONNECTOR ACCEPTS 2 POWER 8 OR COAX SOCKET CONTACTS IN POSITIONS A1 & A3. PURCHASED SEPARATELY.
- ⚠️ RAISED NUMBERS FOR IDENTIFICATION OF CIRCUIT HOLES.



AMP PART NUMBER MARKED ON FAR SIDE
 CUSTOMER PART NUMBER MARKED ON NEAR SIDE

OBSOLETE	B010942-0049	GOLD PER ASTM-B-488 OVER COPPER FLASH PER MIL-C-14550	BRASS PER ASTM B 36	1218654-2
	-	TIN PER ASTM B545	STEEL PER ASTM A109	1218654-1
	CUSTOMER PART NO	FINISH	MATERIAL	PART NO.

THIS DRAWING IS A CONTROLLED DOCUMENT.		DWN 27-May-15 MANJUNATH G M	STE TE Connectivity		
DIMENSIONS: INCHES [MM]		CHK 27-May-15 CHARLES THOMAS			
TOLERANCES UNLESS OTHERWISE SPECIFIED:		APVD 27-May-15 CHARLES THOMAS	NAME PLUG ASSEMBLY, COAX 2C2 KEYED SERIES 109, SIZE 2, AMPLIMITE		
0 PLC ± - 1 PLC ± - 2 PLC ± - 3 PLC ± .005 [0.13] 4 PLC ± - ANGLES ± 0° 30'		PRODUCT SPEC -	SIZE A2	CAGE CODE 00779	DRAWING NO 1218654
MATERIAL SEE CALLOUTS		FINISH SEE CALLOUTS	WEIGHT -	SCALE 4:1	SHEET 1 OF 1
CUSTOMER DRAWING			RESTRICTED TO -	REV E	