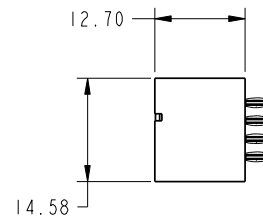
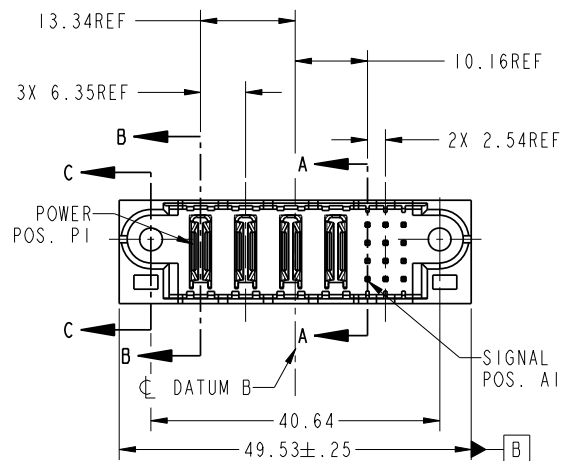


Tous droits strictement reserves. Reproduction ou communication a des tiers interdite sous quelque forme que ce soit sans autorisation écrite du propriétaire. Propriété de c FCI. Droits de reproduction FCI.



All rights strictly reserved. Reproduction or issue to third parties in any form whatever is not permitted without written authority from the proprietor. Property of FCI. Copyright FCI.

PRODUCT NO.	ROWS	POWER				SIG.				
		E1	P1	P2	P3	P4	1	2	3	E2
51712-003-- NOTE: 3	0 B A		PC	PC	PC	PC	G	G	G	
			PC	PC	PC	PC	G	G	G	



CODE	DIM "M" MATING LENGTH	CONTACT TYPE
PC	[N/A]	POWER
G	[6.86]	SIGNAL
K	[5.59]	SIGNAL

mat'l code				SEE NOTE		tolerances unless otherwise specified		CUSTOMER		FCI	
lfr	ecn no.	dr	date	linear		0.X ± 0.3	COPY		www.fciconnect.com		
A	V03-0808	MEM	7/21/03			0.XX ± 0.13	projection		title		
B	DG06-0011	CS	01/09/06			0.XXX ± 0.051	MM		4P + 12S		
C	DG07-0357	JUL1A	09/10/07	angles		0° ± 2°	1:1		VERTICAL PRESS FIT HEADER		
				dr	M. MOSTOLLER	7/21/03	scale		product family		code
				enrg	M. MOSTOLLER	7/21/03	A		PwrBlade		213
				chr	H. BREWBAKER	7/21/03			size		sheet
				appd	M. MOSTOLLER	7/21/03			dwg no		1 of 4
sheet index	revision	C	C	C	C				51712-003		
	sheet	1	2	3	4				A		

cage code 22526

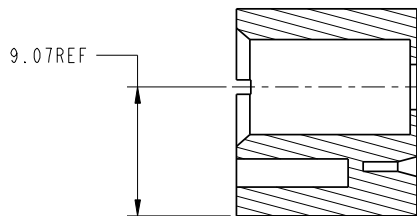
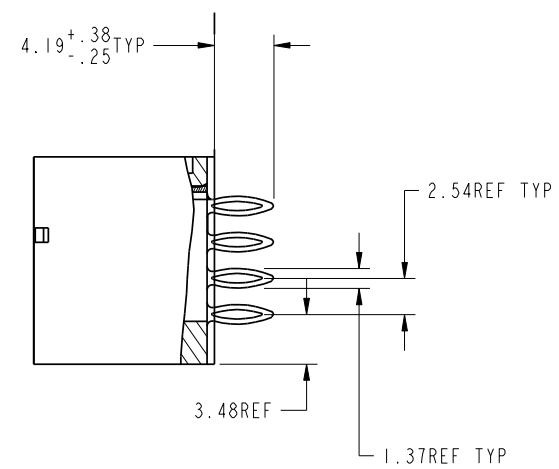
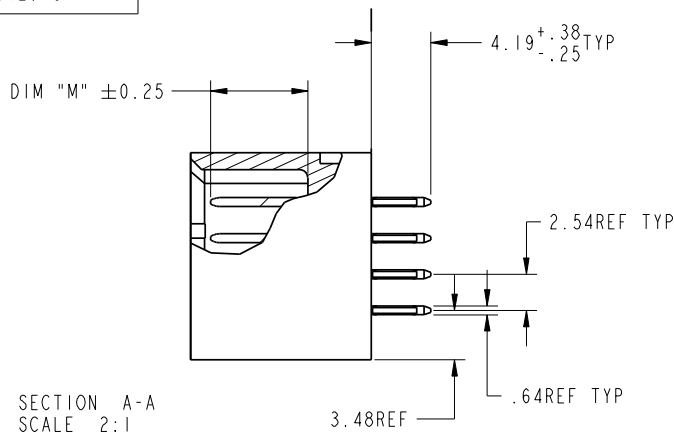
Pro/E

Tous droits strictement reserves. Reproduction ou communication a des tiers interdite sous quelque forme que ce soit sans autorisation ecrite du proprietaire. Propriete de c FCI. Droits de reproduction FCI.



All rights strictly reserved. Reproduction or issue to third parties in any form whatever is not permitted without written authority from the proprietor. Property of FCI. Copyright FCI.

PRODUCT NUMBER
51712-003--
NOTE: 3



SECTION C-C
SCALE 2:1

mat'l code				SEE NOTE		tolerances unless otherwise specified		CUSTOMER		FCI www.fciconnect.com	
lfr	ecr no.	dr	date	linear	0.X ±0.3	COPY		projection		title	
c					0.XX ±0.13			⊕		4P + 12S VERTICAL PRESS FIT HEADER	
				angles	0.XXX ±0.051			MM		product family PwrBlade code	
				dr	0° ±2°	M. MOSTOLLER 7/21/03		1:1		size	
				enrg		M. MOSTOLLER 7/21/03				dwg no	
				chr		H. BREWBAKER 7/21/03				A 51712-003	
				appd		M. MOSTOLLER 7/21/03				sheet	
sheet index		revision sheet								2	

cage code 22526

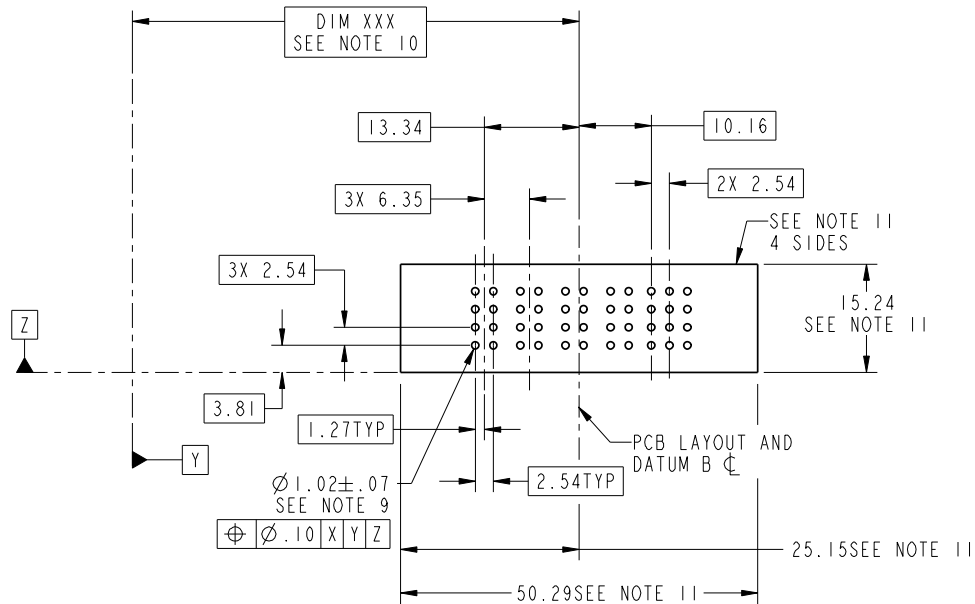
Pro/E

Tous droits strictement reserves. Reproduction ou communication a des tiers interdite sous quelque forme que ce soit sans autorisation écrite du propriétaire. Propriete de c FCI. Droits de reproduction FCI.



All rights strictly reserved. Reproduction or issue to third parties in any form whatever is not permitted without written authority from the proprietor. Property of FCI. Copyright FCI.

PRODUCT NUMBER
51712-003--
NOTE: 3



mat'l code				SEE NOTE		tolerances unless otherwise specified		CUSTOMER		FCI www.fciconnect.com	
lfr	ecr no.	dr	date	linear	0.X ±0.3	projection		title			
c				angles	0.XX ±0.13	4P + 12S		VERTICAL PRESS FIT HEADER			
				dr	0.XXX ±0.051	MM		product family		code	
				enr	0° ±2°	1:1		PwrBlade		213	
				chr	M. MOSTOLLER 7/21/03			size		sheet	
				appd	M. MOSTOLLER 7/21/03			A		3	
sheet index		revision sheet									

cage code 22526

Pro/E

Tous droits strictement reserves. Reproduction ou communication a des tiers interdite sous quelque forme que ce soit sans autorisation ecrite du proprietaire. Propriete de c FCI. Droits de reproduction FCI.



All rights strictly reserved. Reproduction or issue to third parties in any form whatever is not permitted without written authority from the proprietor. Property of FCI. Copyright FCI.

PRODUCT NUMBER
51712-003--
NOTE: 3

NOTES:

1. DIMENSIONS AND TOLERANCES ARE IN ACCORDANCE WITH ASME Y14.5M, 1994 UNLESS OTHERWISE SPECIFIED.

CONNECTOR NOTES:

- 2 HOUSING MATERIAL: UL 94 V-0 GLASS FILLED HIGH-TEMP THERMOPLASTIC
POWER CONTACT MATERIAL: COPPER ALLOY
SIGNAL PIN MATERIAL: COPPER ALLOY
 - 3. PLATING:
51712-003 ,51712-003LF PLATING SPEC. WAS SHOWN IN THE PRINT OF 10064183.
 - 4 MANUFACTURER'S NAME, P/N, AND DATE CODE TO APPEAR ON THIS SURFACE.
 - 5. PRODUCT SPECIFICATION GS-12-149.
APPLICATION SPECIFICATION BUS-20-067.
 - 6. PACKAGED IN TRAYS.
- PCB NOTES:
- 7. ALL HOLE DIAMETERS ARE FINISHED HOLE SIZE.
 - 8. MOUNTING HOLES, WHERE APPLICABLE, ARE UNPLATED.
 - 9 $\varnothing 1.151 \pm 0.025$ DRILLED HOLES PLATED WITH
0.008 MIN SnPb OR Sn OVER .001 [0.03]
TO 0.08 Cu PLATING TO ACHIEVE
 $\varnothing 1.02 \pm .07$ HOLE.
 - 10 "DIM XXX" TO BE DETERMINED BY THE CUSTOMER.
 - 11 CONNECTOR KEEP-OUT ZONE.
12. FOR PRESS FIT APPLICATION USE FCI CAM TOOL 430169-XXX.

mat'l code		SEE NOTE		tolerances unless otherwise specified		CUSTOMER		FCI www.fciconnect.com	
lfr	ecr no.	dr	date	linear	0.X ± 0.3	COPY		projection	
C					0.XX ± 0.13	projection		title	
				angles	0.XXX ± 0.051			4P + 12S VERTICAL PRESS FIT HEADER	
				dr	M. MOSTOLLER 7/21/03			product family PwrBlade code	
				enrg	M. MOSTOLLER 7/21/03	scale		size dwg no	
				chr	H. BREWBAKER 7/21/03	1:1		A 51712-003	
				appd	M. MOSTOLLER 7/21/03			sheet 213	
sheet index		revision sheet						sheet 4	

cage code 22526

Pro/E