

OPTIONAL BACK PANEL  
 0.100 [2.54] TH'K- ALUMINUM  
 0.075 [1.91] TH'K- WHITE STEEL & GALVANNEALED  
 0.125 [3.18] TH'K- FIBERGLASS

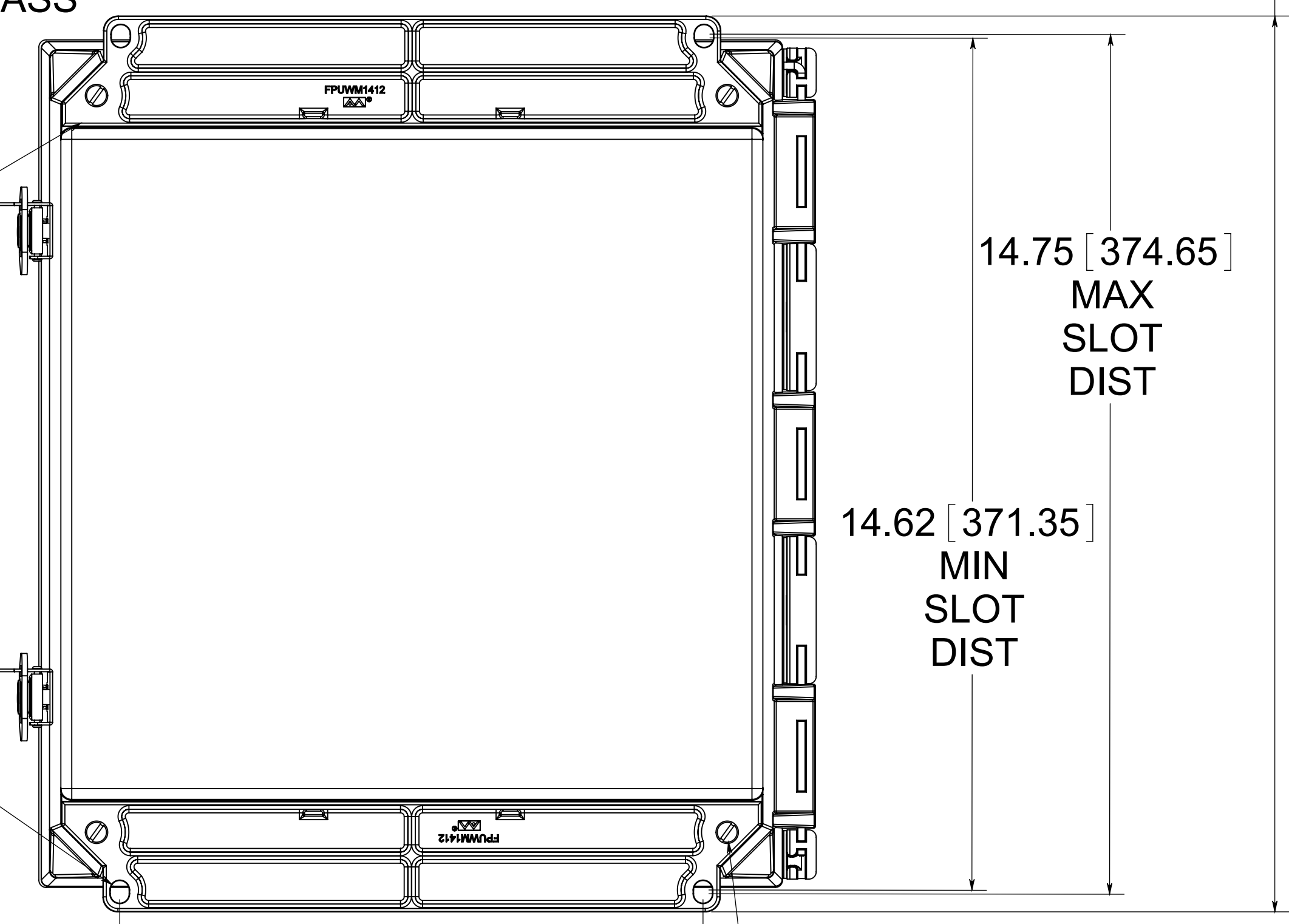
(2) POLYCARBONATE FLANGES (GLUED)

.10 [2.54]

6.11 [155.27]

(8) R.162 [4.10]

BACK VIEW



(4) EACH #10-32 BRASS INSERTS, AND STAINLESS STEEL FLANGE AND FEET SCREWS

FRONT VIEW WITH COVER REMOVED AND BACK PANEL DISPLAYED

STAINLESS STEEL HINGE PIN

CLOSED CELL NEOPRENE GASKET

(2) STAINLESS STEEL LOCKABLE TWIST LATCH

.13 [3.30]

(4) EACH #10-32 BRASS INSERTS AND PLATED CARBON STEEL SCREWS

12.75 [323.85]

12.25 [311.15]

10.88 [276.23]

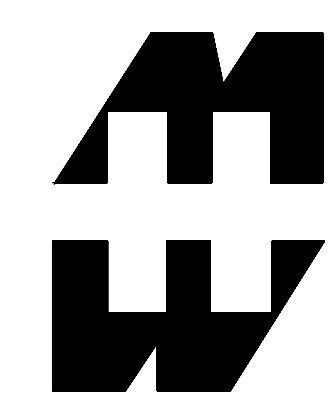
14.05 [356.87]

10.25 [260.35]

12.27 [311.66]

MATERIAL:

BOX-COMPRESSION MOLDED FIBERGLASS REINFORCED POLYESTER  
 COVER- COMPRESSION MOLDED FIBERGLASS REINFORCED POLYESTER  
 CLEAR COVER AND WINDOWS- POLYCARBONATE



PART No. PJU14126TF

for more information visit [www.hammfg.com](http://www.hammfg.com)

Data subject to change without notice

Drawing Not to Scale