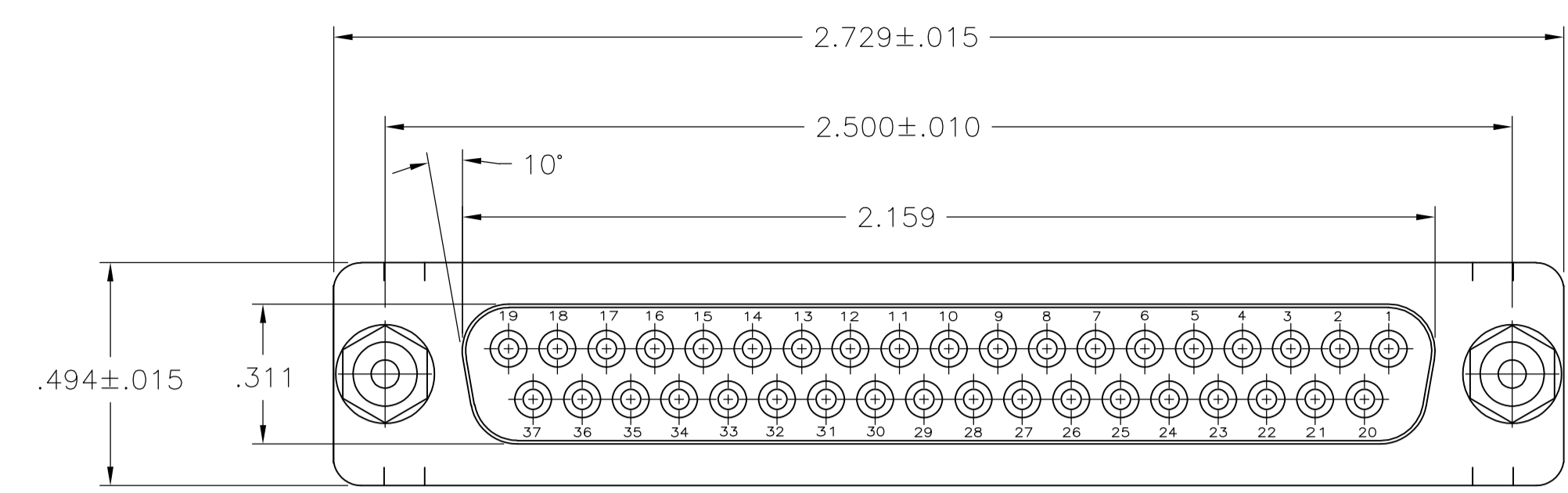
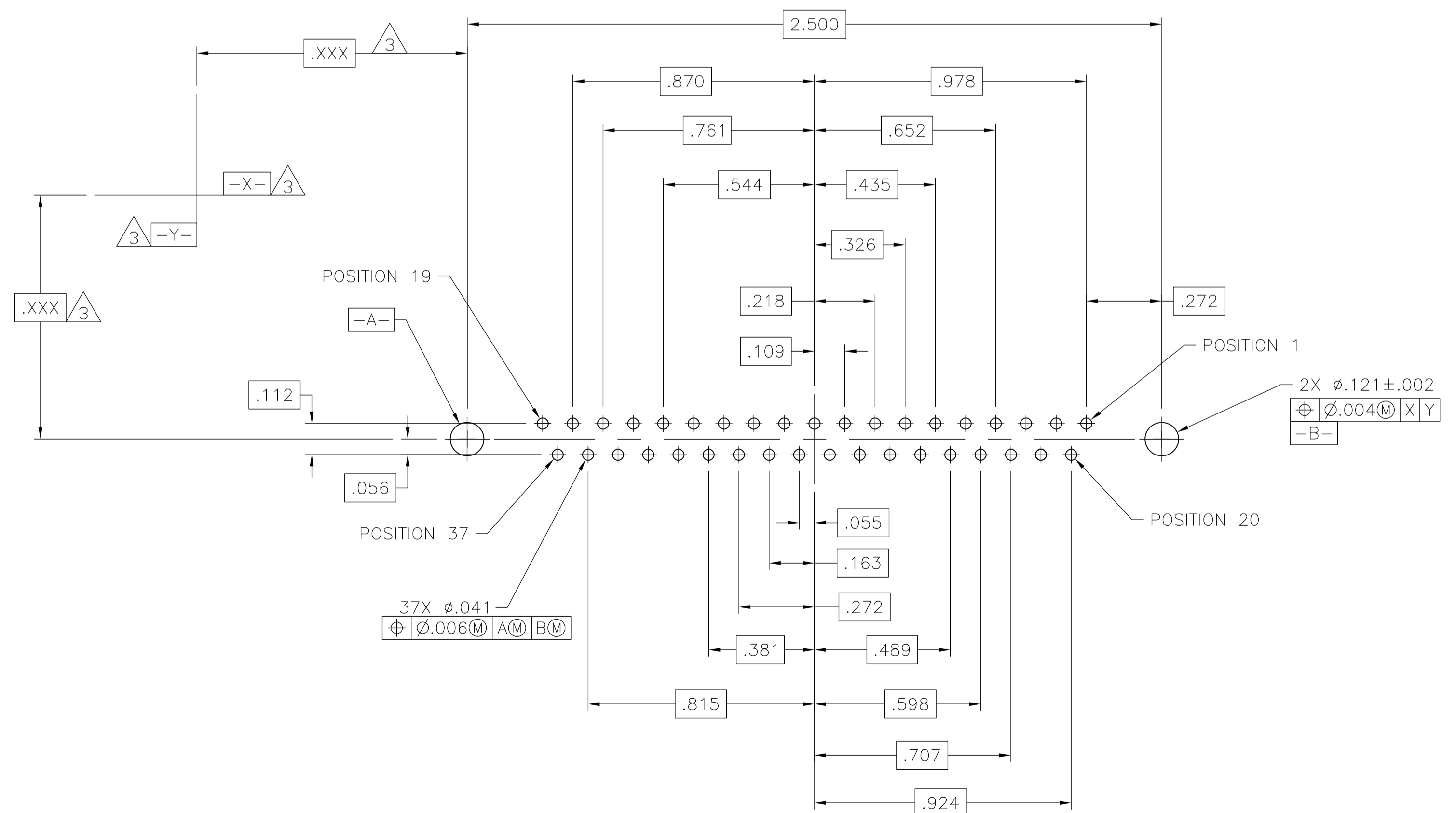
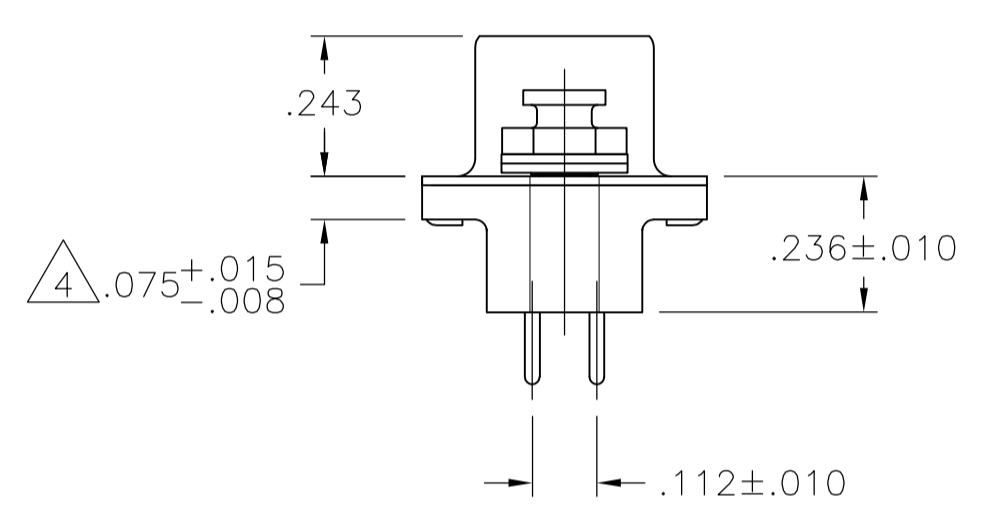
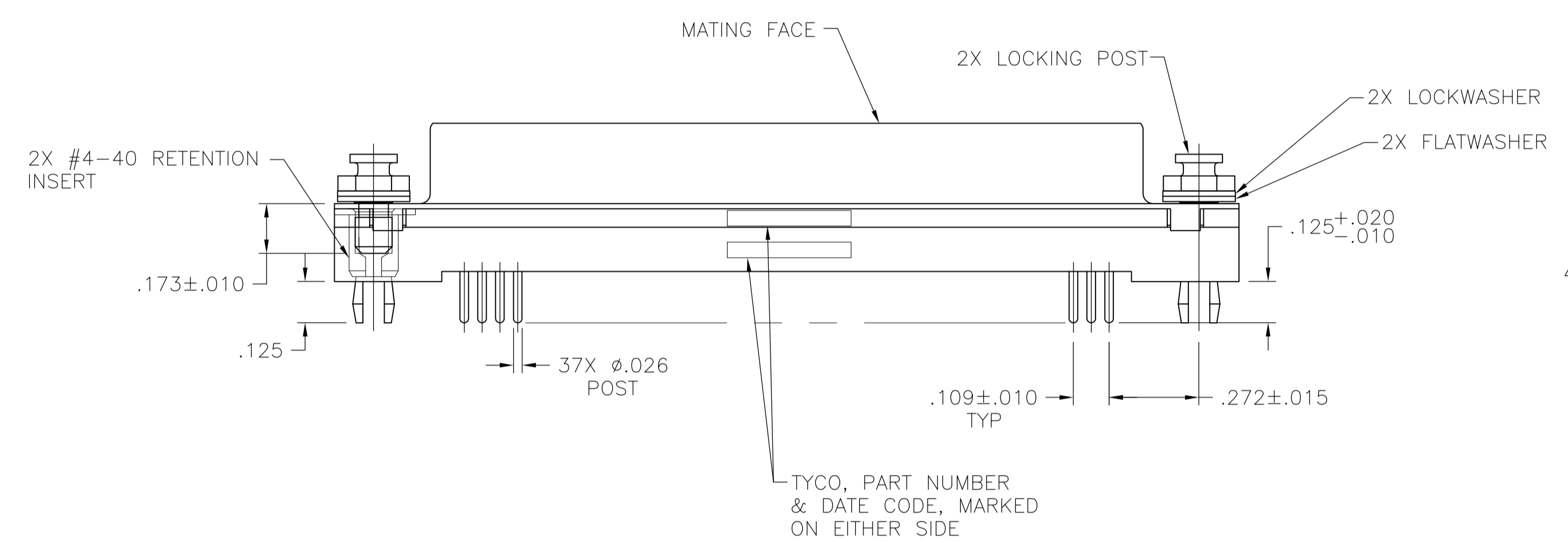


REVISIONS				
P	LTR	DESCRIPTION	DATE	APPROV
B		REVISED PER ECO-16-001548	24FEB2016	AP DG



- ① HOUSING: POLYESTER, UL 94V-0 RATED, COLOR BLACK.
SHELL: CARBON STEEL.
CONTACTS: PHOS. BRONZE.
RETENTION INSERTS: BRASS.
LOCKING POSTS, LOCK WASHERS & FLAT WASHERS: CARBON STEEL.
- ② SHELL: .000200 MIN TIN OVER .000100 MIN COPPER
CONTACTS: .000030 MIN GOLD FOR LENGTH OF .100 MIN FROM MATING END,
.000100 MIN TIN ON TERMINATION END, ALL OVER
.000050 MIN NICKEL ON ENTIRE CONTACT.
RETENTION INSERTS: .000150 MIN TIN OVER .000100 MIN COPPER
LOCKING POSTS: .000200 MIN ZINC WITH CLEAR CHROMATE COATING.
LOCK WASHERS & FLAT WASHERS: .000200 MIN ZINC WITH CLEAR CHROMATE COATING.
- ③ DATUMS AND BASIC DIMENSIONS TO BE ESTABLISHED BY CUSTOMER.
- ④ .110 MAX IN SHELL TAB CLINCH AREAS.



RECOMMENDED PC BOARD MOUNTING DIMENSIONS
(.062 THICK PCB)

5788836-1
PART NUMBER

THIS DRAWING IS A CONTROLLED DOCUMENT.		DIN B LATTUCA 12OCT05	TE Connectivity	
DIMENSIONS: INCHES		CHK S BOLASH 12OCT05		
TOLERANCES UNLESS OTHERWISE SPECIFIED:		APP'D M WALMSLEY 12OCT05	NAME	
0. PLC	± -	RECEPTACLE ASSEMBLY, SIZE 4, 37 POS., VERTICAL, FRONT METAL SHELL, RETENTION INSERTS AND LOCKING POST, AMPLIMITE HD-20		
1. PLC	± -	PRODUCT SPEC		
2. PLC	± -	108-40025		
3. PLC	± .005	APPLICATION SPEC		
4. PLC	± -	114-40023		
ANGLES	± -	SIZE		
MATERIAL		WEIGHT	SCALE	RESTRICTED TO
①		②	A1 00779	5788836
CUSTOMER DRAWING		SCALE	SHEET	REV
		3:1	1 OF 1	B