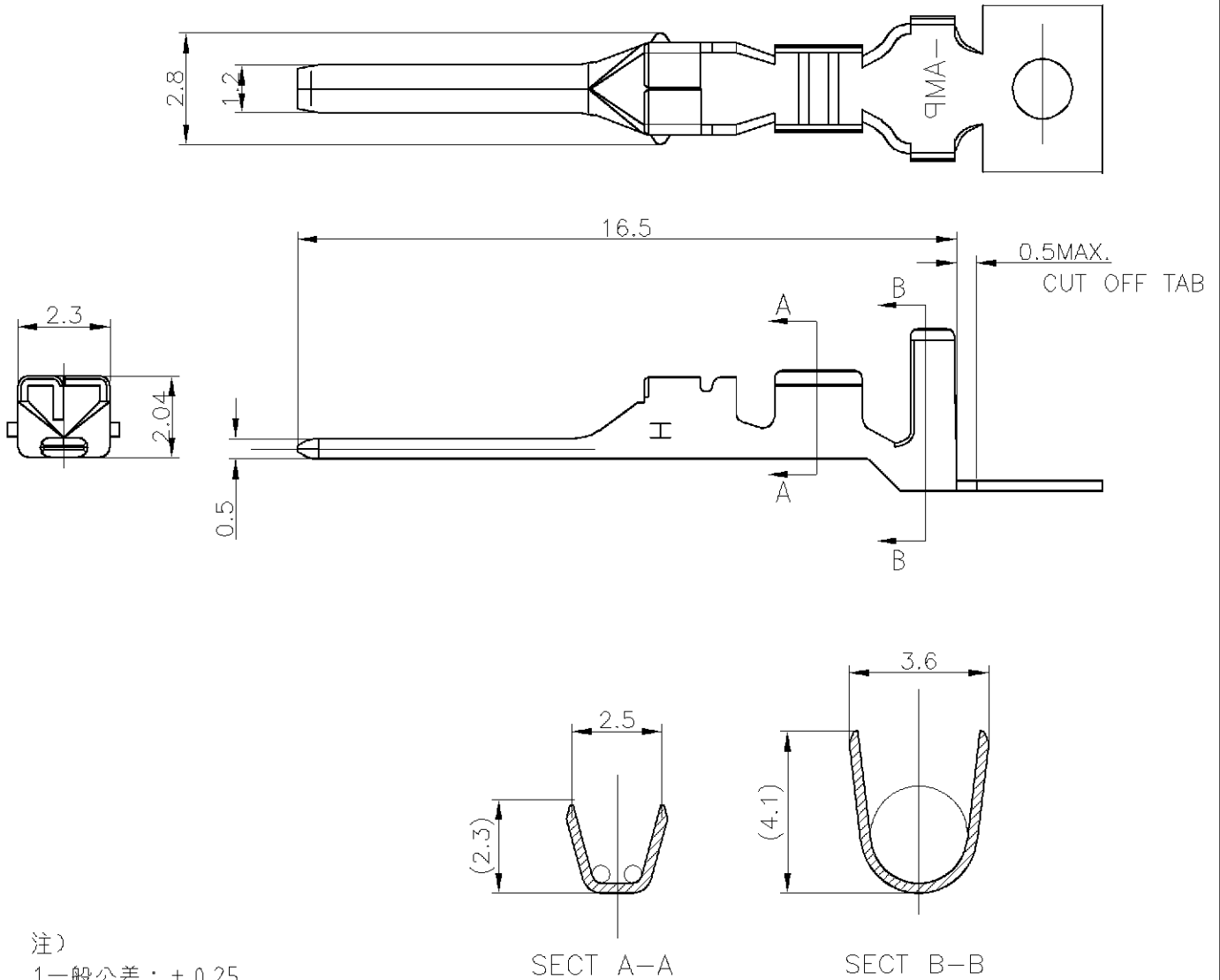


LOC J	DIST —	REVISIONS 変更			DATE	DWN	APVD
		P	LTR	DESCRIPTION			
			O	RELEASED FJ00-2828-01	30 MAY.'02	A.O	M.S



注)
 1.一般公差：±0.25
 2.材料：錫めっき済 銅合金

NOTES)
 1.GENERAL TOLERANCE:
 2.MATERIAL:PRE-TIN COPPER ALLOY

1565080-1
PART NUMBER

WIRE RANGE 抱合電線断面積 0.3-0.9mm ² (AWG#22-18)	INSULATION DIA 被覆外径 φ1.5-2.7mm
---	--------------------------------------

DIMENSIONS: 単位：特 MM	DWN A.OISHI	30 MAY.'02	MATERIAL 材料	SEE NOTE	FINISH 仕上	SEE NOTE
	CHK M.SHINDO	30 MAY.'02	Tyco Electronics AMP K.K. Kawasaki, Japan			
TOLERANCES UNLESS OTHERWISE SPECIFIED: 一般公差	APVD M.SHINDO	30 MAY.'02				
	PRODUCT SPEC 製品規格 108-5810	NAME 名称 GRACE INERTIA CONNECTOR 3.5 TAB CONTACT(L)				
0 PLC ± - 1 PLC ± - 2 PLC ± - 3 PLC ± - 4 PLC ± - ANGLES ± -	APPLICATION SPEC 取付適用規格 114-5306	SIZE A4	CAGE CODE 00779	DRAWING NO 番号 C-1565080	RESTRICTED TO —	
	WEIGHT —	CUSTOMER DRAWING		SCALE 尺度 6:1	SHEET 1 OF 1	REV 0

THIS DRAWING IS UNPUBLISHED. ALL RIGHTS RESERVED. BY TYCO ELECTRONICS CORPORATION. COPYRIGHT ©