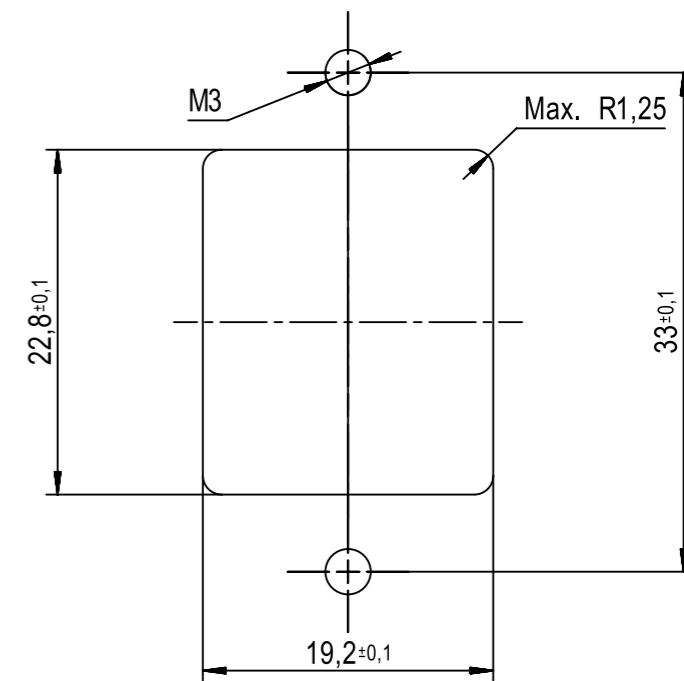


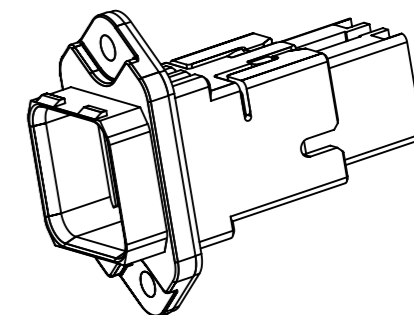
Mating face according to IEC 61076-3-118

PANEL CUT:



Thickness panel: 1mm to 6mm

M3 screwing torque: 0,3 to 0,5Nm



	All rights reserved Department EC PD - FR HARTING Electronics GmbH D-32339 Espelkamp	All Dimensions in mm Original Size DIN A3	Scale 2:1	Free size tol.	Ref. Sub.
		Created by BARLEMONT	Inspected by DE VANSAY	Standardisation HOFFMANN	Date 2013-05-29
Title Han PP V14 PFT POWER plastic adapter					Doc-Key / ECM-Nr. 100225132/UGD/002/B 50000062438
Type TB		Number 09352310331			Rev. B
					Page 1/1