

D

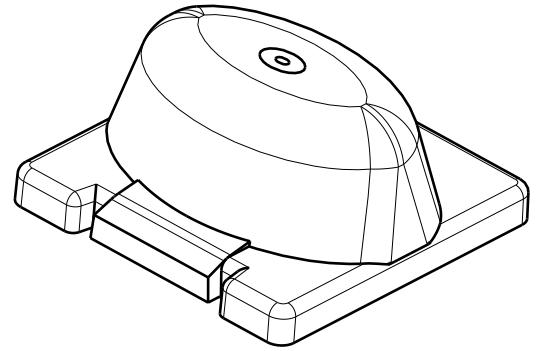
C

B

A

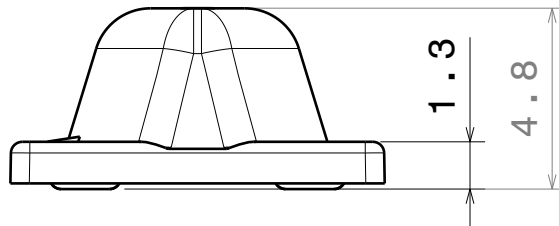
4

4

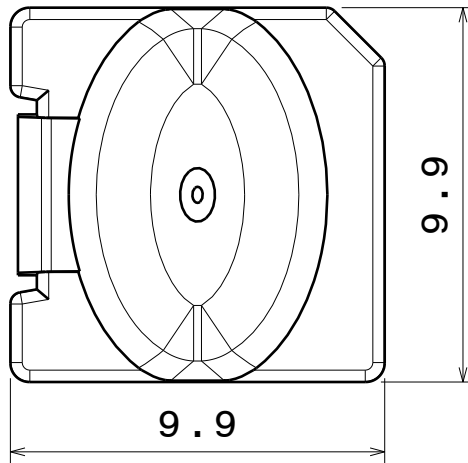


Isometric view

Front view



Top view



3

3

2

2

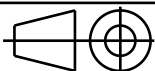
INDEX	PART NO	DESCRIPTION	MATERIAL	COLOUR
1	C12769	Oona-A	PMMA	

Tolerances if not otherwise shown
According to DIN ISO 2768-1
Linear measures:
Up to 30mm class M, otherwise class C.
According to DIN ISO 2768-2
Form and position: class L

LEDiL

Ledil Oy
Salorankatu 10
FIN 24240 SALO
Finland

THIRD ANGLE PROJECTION:



DRAWING TITLE

C12769_Oona-A

This drawing is the property
of LEDiL Oy. It may not be
reproduced, copied or
communicated without a written
agreement with LEDiL Oy."

SIZE PART NUMBER

A4

C12769

SCALE 1:1 WEIGHT

SHEET 1/1

1

1

D

A