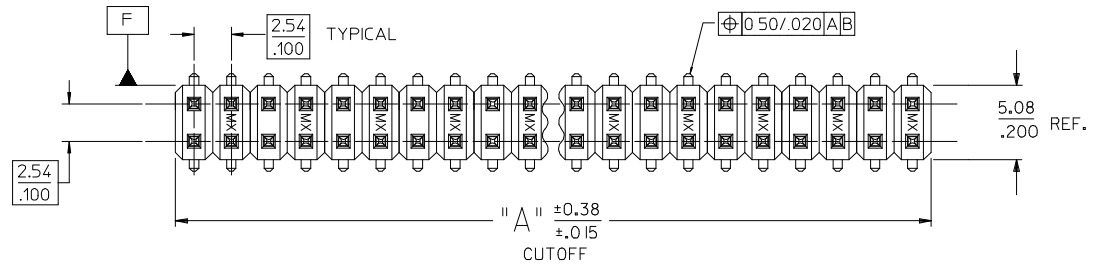
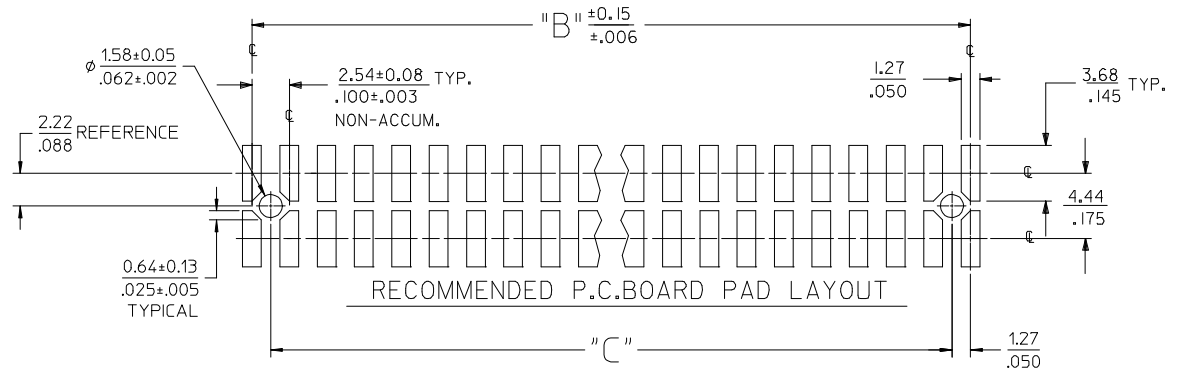
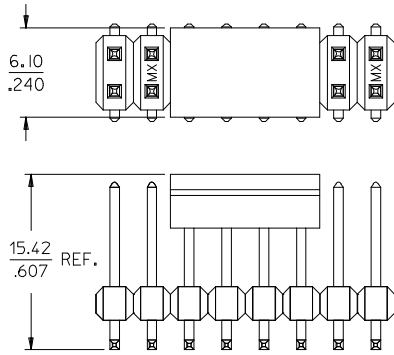
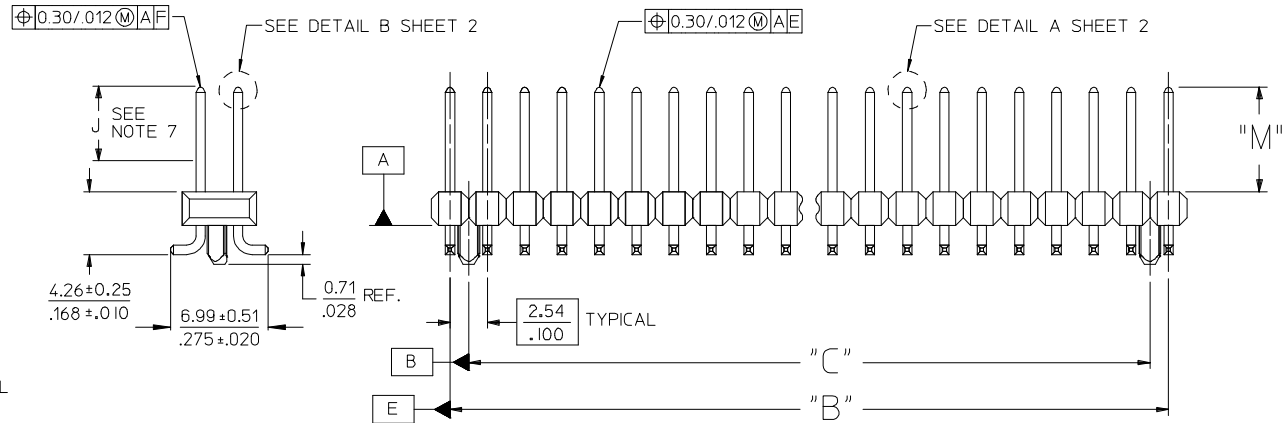


PICK AND PLACE CAP FOR TAPE AND REEL PACKAGING

SEE NOTES 4 & 9



CIRCUIT SIZE	COPLANARITY SPECIFICATION
4 - 40 CKT	0.15/.006 MAXIMUM
42 - 60 CKT	CONTACT MOLEX SALES
62 - 80 CKT	CONTACT MOLEX SALES
82 - 100 CKT	CONTACT MOLEX SALES

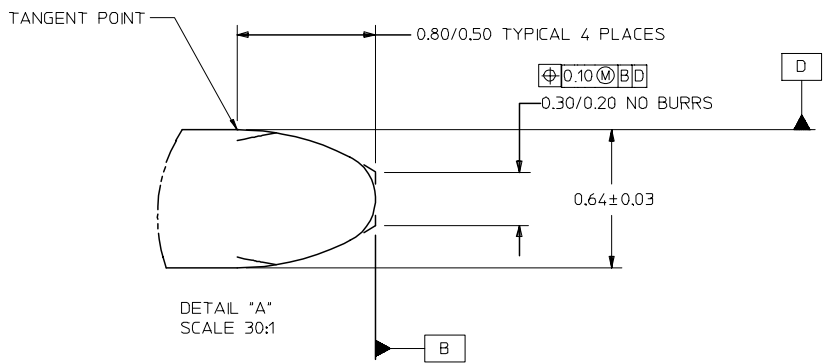


NOTES:

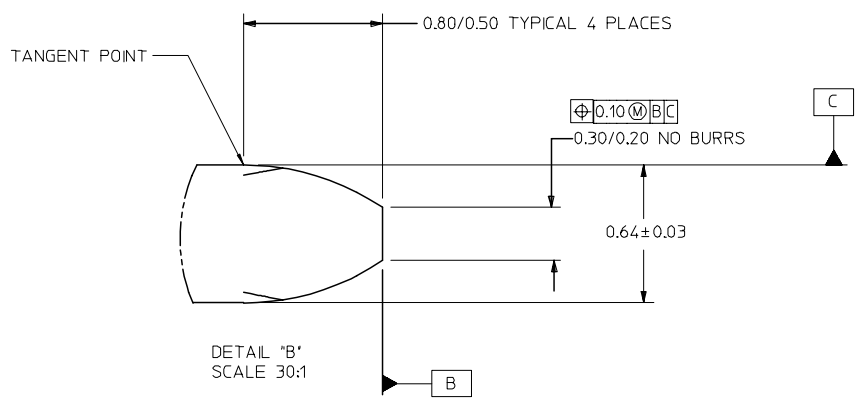
- MATERIAL: WAFER - GLASS-FILLED LCP (LIQUID CRYSTAL POLYMER), UL 94V-0, BLACK.
- FINISH: 3.75 MICROMETERS/150 MICROINCHES MINIMUM BRIGHT TIN PLATE OVER NICKEL UNDERPLATE.
- PARTS TO CONFORM TO PS-71308.
- PACKAGING INFORMATION: SEE PK-70873-0041 (TUBES) PK-70873-710 (TAPE & REEL)
- PIN PUSHOUT FORCE 3 LBS. MINIMUM (IN EITHER DIRECTION).
- PINS MEET SOLDERABILITY SPEC NO. 152.
- MEASURE POINT FOR PLATING THICKNESS.
- ALL PIN DIMENSIONS INCLUDE PLATING.
- PICK-N-PLACE CAPS WILL BE PLACED SO THAT VACUUM PICK UP AREA WILL BE IN CENTER OF THE PART.
- PIN DIMENSION SHOULD BE SYMMETRICAL WITHIN TOLERANCE SHOWN.
- ALL PIN EDGES MAY BE RADIUS - 0.127/.005 MAXIMUM.
- NO BURRS ON TIPS OR PIN EDGES.
- THIS PART CONFORMS TO CLASS B REQUIREMENTS OF COSMETIC SPECIFICATION PS-45499-002.

3	B2
2	A
1	B2
SHT	REV

UPDATE P&P CAP EC NO: UCP2008-1556 DRWN:ADERR 2008/01/15 CHKD:JBELL 2008/01/16 APPR:FSM/TH 2008/01/17	QUALITY SYMBOLS ▽=0 ▽=0	GENERAL TOLERANCES (UNLESS SPECIFIED) 4 PLACES ±--- ±--- 3 PLACES ±--- ±.005 2 PLACES ±0.13 ±.01 1 PLACE ±0.25 ±--- ANGULAR ±1/2°	DIMENSION STYLE MM/IN DRAWN BY DATE BSMART 04/20/2005 CHECKED BY DATE BBARKER 04/20/2005 APPROVED BY DATE SMILLER 04/20/2005	SCALE 4:1 DESIGN UNITS INCH THIRD ANGLE PROJECTION	TITLE SALES ASSEMBLY DUAL ROW SMT W/BREAKOFF OPTION .025 SQ PINS MOLEX INCORPORATED	MATERIAL NO. DOCUMENT NO. SD-71308-004	SHEET NO. 1 OF 3



SEE NOTE 10 SHEET 1



INITIAL RELEASE FC NO: UCP2005-2341 DRAWN BY: BSMART 2005/08/24 CHKD: BBARKER 2005/08/29 APPR: SMILLER 2005/08/30	QUALITY SYMBOLS ▽=0 ▽=0	GENERAL TOLERANCES (UNLESS SPECIFIED)		DIMENSION STYLE MM ONLY		SCALE ---	DESIGN UNITS METRIC	THIRD ANGLE PROJECTION	
		4 PLACES ± --- ± ---	mm INCH	DRAWN BY BSMART	DATE 04/20/2005	TITLE SALES ASSEMBLY DUAL ROW SMT W/BREAKOFF OPTION .025 SQ PINS			
		3 PLACES ± --- ± ---		CHECKED BY BBARKER	DATE 04/20/2005	MOLEX INCORPORATED			
		2 PLACES ± --- ± ---		APPROVED BY SMILLER	DATE 04/20/2005	MATERIAL NO. SEE TABLE	DOCUMENT NO. SD-71308-004	SHEET NO. 2 OF 3	
1 PLACE ± --- ± ---		ANGULAR ±1/2°		THIS DRAWING CONTAINS INFORMATION THAT IS PROPRIETARY TO MOLEX INCORPORATED AND SHOULD NOT BE USED WITHOUT WRITTEN PERMISSION					
DRAFT WHERE APPLICABLE MUST REMAIN WITHIN DIMENSIONS		SIZE C							

J	DIM. M ±.25/.010						10.20/.402					
	PLATING						BRIGHT TIN					
	DIM. J						4.57/.180					
	PACKAGING OPTION						TUBE			TAPE & REEL		
	PACKAGING SPECIFICATION						PK-70873-0041			PK-70873-710		

CKTS	DIM. A		DIM. B		DIM. C		EDP NUMBER	EDP NUMBER
	MM	IN	MM	IN	MM	IN		
04	5.08	.200	2.54	.100	-----	-----		
06	7.62	.300	5.08	.200	2.54	.100		
08	10.16	.400	7.62	.300	5.08	.200	71308-7008	
10	12.70	.500	10.16	.400	7.62	.300	71308-7010	
12	15.24	.600	12.70	.500	10.16	.400	71308-7012	
14	17.78	.700	15.24	.600	12.70	.500	71308-7014	
16	20.32	.800	17.78	.700	15.24	.600	71308-7016	
18	22.86	.900	20.32	.800	17.78	.700	71308-7018	
20	25.40	1.000	22.86	.900	20.32	.800	71308-7020	71308-7120
22	27.94	1.100	25.40	1.000	22.86	.900	71308-7022	
24	30.48	1.200	27.94	1.100	25.40	1.000	71308-7024	
26	33.02	1.300	30.48	1.200	27.94	1.100	71308-7026	
28	35.56	1.400	33.02	1.300	30.48	1.200	71308-7028	
30	38.10	1.500	35.56	1.400	33.02	1.300	71308-7030	
32	40.64	1.600	38.10	1.500	35.56	1.400	71308-7032	
34	43.18	1.700	40.64	1.600	38.10	1.500	71308-7034	
36	45.72	1.800	43.18	1.700	40.64	1.600	71308-7036	
38	48.26	1.900	45.72	1.800	43.18	1.700	71308-7038	
40	50.80	2.000	48.26	1.900	45.72	1.800	71308-7040	
42	53.34	2.100	50.80	2.000	48.26	1.900	71308-7042	
44	55.88	2.200	53.34	2.100	50.80	2.000	71308-7044	
46	58.42	2.300	55.88	2.200	53.34	2.100	71308-7046	
48	60.96	2.400	58.42	2.300	55.88	2.200	71308-7048	
50	63.50	2.500	60.96	2.400	58.42	2.300	71308-7050	
52	66.04	2.600	63.50	2.500	60.96	2.400	71308-7052	
54	68.58	2.700	66.04	2.600	63.50	2.500	71308-7054	
56	71.12	2.800	68.58	2.700	66.04	2.600	71308-7056	
58	73.66	2.900	71.12	2.800	68.58	2.700	71308-7058	
60	76.20	3.000	73.66	2.900	71.12	2.800	71308-7060	
62	78.74	3.100	76.20	3.000	73.66	2.900	71308-7062	
64	81.28	3.200	78.74	3.100	76.20	3.000	71308-7064	
66	83.82	3.300	81.28	3.200	78.74	3.100	71308-7066	
68	86.36	3.400	83.82	3.300	81.28	3.200	71308-7068	
70	88.90	3.500	86.36	3.400	83.82	3.300	71308-7070	
72	91.44	3.600	88.90	3.500	86.36	3.400	71308-7072	
74	93.98	3.700	91.44	3.600	88.90	3.500	71308-7074	
76	96.52	3.800	93.98	3.700	91.44	3.600	71308-7076	
78	99.06	3.900	96.52	3.800	93.98	3.700	71308-7078	
80	101.60	4.000	99.06	3.900	96.52	3.800	71308-7080	
82	104.14	4.100	101.60	4.000	99.06	3.900	71308-7082	
84	106.68	4.200	104.14	4.100	101.60	4.000	71308-7084	
86	109.22	4.300	106.68	4.200	104.14	4.100	71308-7086	
88	111.76	4.400	109.22	4.300	106.68	4.200	71308-7088	
90	114.30	4.500	111.76	4.400	109.22	4.300	71308-7090	
92	116.84	4.600	114.30	4.500	111.76	4.400	71308-7092	
94	119.38	4.700	116.84	4.600	114.30	4.500	71308-7094	
96	121.92	4.800	119.38	4.700	116.84	4.600	71308-7096	
98	124.46	4.900	121.92	4.800	119.38	4.700	71308-7098	
100	127.00	5.000	124.46	4.900	121.92	4.800	71308-7100	

E	66	83.82	3.300	81.28	3.200	78.74	3.100	71308-7066	
	68	86.36	3.400	83.82	3.300	81.28	3.200	71308-7068	
F	54	68.58	2.700	66.04	2.600	63.50	2.500	71308-7054	
	56	71.12	2.800	68.58	2.700	66.04	2.600	71308-7056	
G	36	45.72	1.800	43.18	1.700	40.64	1.600	71308-7036	
	38	48.26	1.900	45.72	1.800	43.18	1.700	71308-7038	
H	20	25.40	1.000	22.86	.900	20.32	.800	71308-7020	71308-7120
	22	27.94	1.100	25.40	1.000	22.86	.900	71308-7022	

B	UPDATE CHART EC NO: UCP2008-1556 DRAWN: ADERR 2008/01/15 CHKD: JBELL 2008/01/16 APPR: FSMITH 2008/01/17	QUALITY SYMBOLS ▽=0 ▽=0	GENERAL TOLERANCES (UNLESS SPECIFIED)		DIMENSION STYLE MM/IN		SCALE ---	DESIGN UNITS INCH	THIRD ANGLE PROJECTION
			mm	INCH	DRAWN BY BSMART	DATE 04/20/2005	TITLE SALES ASSEMBLY DUAL ROW SMT W/BREAKOFF OPTION .025 SQ PIN		
A	B2	REV	1 PLACES ±0.13 ±.010		APPROVED BY SMILLER		DATE 04/20/2005	MATERIAL NO. SD-71308-004	
			ANGULAR ±1/2°		DRAFT WHERE APPLICABLE MUST REMAIN WITHIN DIMENSIONS		DOCUMENT NO. SD-71308-004		SHEET NO. 3 OF 3