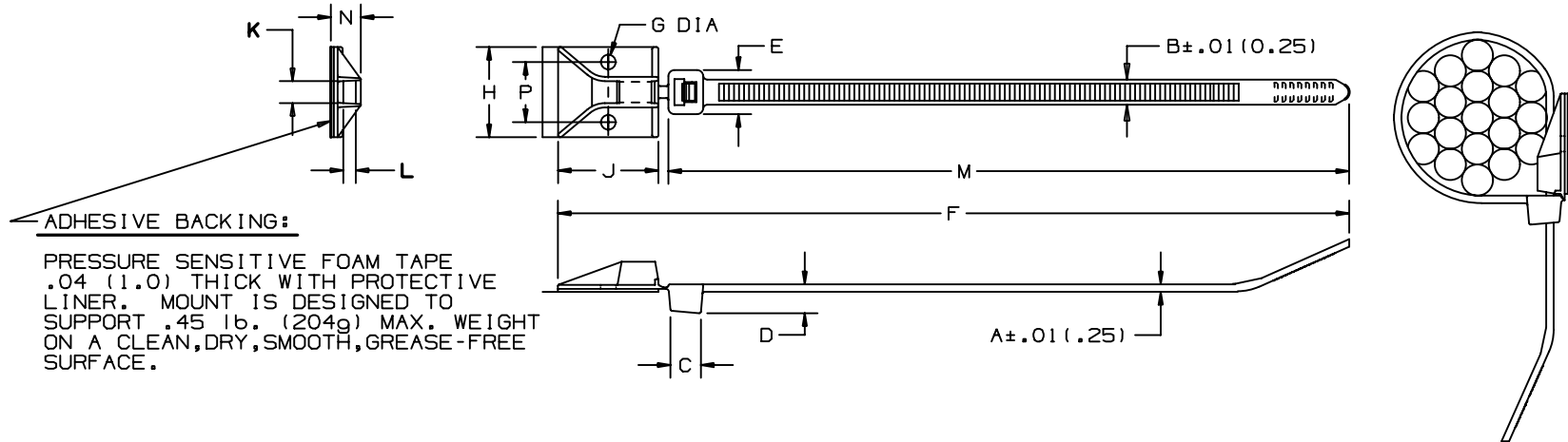


THIS COPY IS PROVIDED ON A RESTRICTED BASIS AND IS NOT TO BE USED IN ANY WAY DETRIMENTAL TO THE INTERESTS OF PANDUIT CORP.



ADHESIVE BACKING:

PRESSURE SENSITIVE FOAM TAPE
.04 (1.0) THICK WITH PROTECTIVE
LINER. MOUNT IS DESIGNED TO
SUPPORT .45 lb. (204g) MAX. WEIGHT
ON A CLEAN, DRY, SMOOTH, GREASE-FREE
SURFACE.

PANDUIT* PART NO.	BUNDLE DIA.		A in (mm)	B in (mm)	C in (mm) (REF)	D in (mm) (REF)	E in (mm)	F in (mm) (REF)	G in (mm) (REF)	H in (mm)	J in (mm)	K in (mm) (REF)	L in (mm) (REF)	M in (mm) (REF)	N in (mm)	P in (mm) (REF)	MIN. LOOP TENSILE lbs. (N)	CROSS SECTION	WEIGHT lbs./100 pcs. (g)
	MIN. in (mm)	MAX. in (mm)																	
PLA2S-A	0.25 (6.4)	1.85 (47.0)	0.052 (1.3)	0.190 (4.8)	0.258 (6.6)	0.220 (5.6)	0.316 (8.0)	8.5 (216)	0.148 (3.8)	0.90 (22.9)	1.00 (25.4)	.200 (5.1)	.134 (3.4)	7.4 (188)	0.300 (7.6)	0.600 (15.2)	50 (222)	STANDARD	0.53 (242)

NOTE:

- SEE CURRENT PRICE SHEET FOR PART NUMBER SUFFIX DESIGNATIONS FOR PACKAGE SIZE.

TO APPLY MOUNTS:

- REMOVE PROTECTIVE LINER FROM MOUNT.
- PLACE IN DESIRED LOCATION.
- APPLY PRESSURE TO TOP SURFACE OF MOUNT.

NO WARRANTY, EXPRESSED OR IMPLIED, IS MADE BY PANDUIT WITH RESPECT TO ADHESIVE BOND PERFORMANCE. AMONG OTHER THINGS, THE CONDITIONS UNDER WHICH THESE MOUNTS MAY BE APPLIED AND/OR THE SURFACE TO WHICH THEY MAY BE APPLIED ARE BEYOND PANDUIT'S CONTROL.

DIMENSIONS IN BRACKETS ARE METRIC [mm]

CAD FILENAME/LAYER		G00239EU_PB_PLA_03	
PANDUIT CORP. TINLEY PARK, ILLINOIS			
COMBINATION ADHESIVE MOUNT / TIE PLA SERIES			
UNLESS OTHERWISE SPECIFIED, DIMENSIONAL TOLERANCES ARE: (.X) ±0.05 (1.3) (.XXX) ±0.010 (0.25) (.XX) ±0.02 (0.5) ANGLES ± 5°		UNLESS OTHERWISE SPECIFIED, ALL DIMENSIONS ARE GIVEN IN INCHES, THIRD ANGLE PROJECTION.	
DRAWN BY	CBSM	MAT'L:	SCALE NONE
DATE	1/22/07	NYLON 6/6	DRAWING NO.
CHK'D			GB0239EU
			DWG SIZE A

3	4/28/04	JAD		ADD DIM K AND L	GB0239EU	3			
REV	DATE	BY	CHK	DESCRIPTION	ECN - R	CUST	SUP		