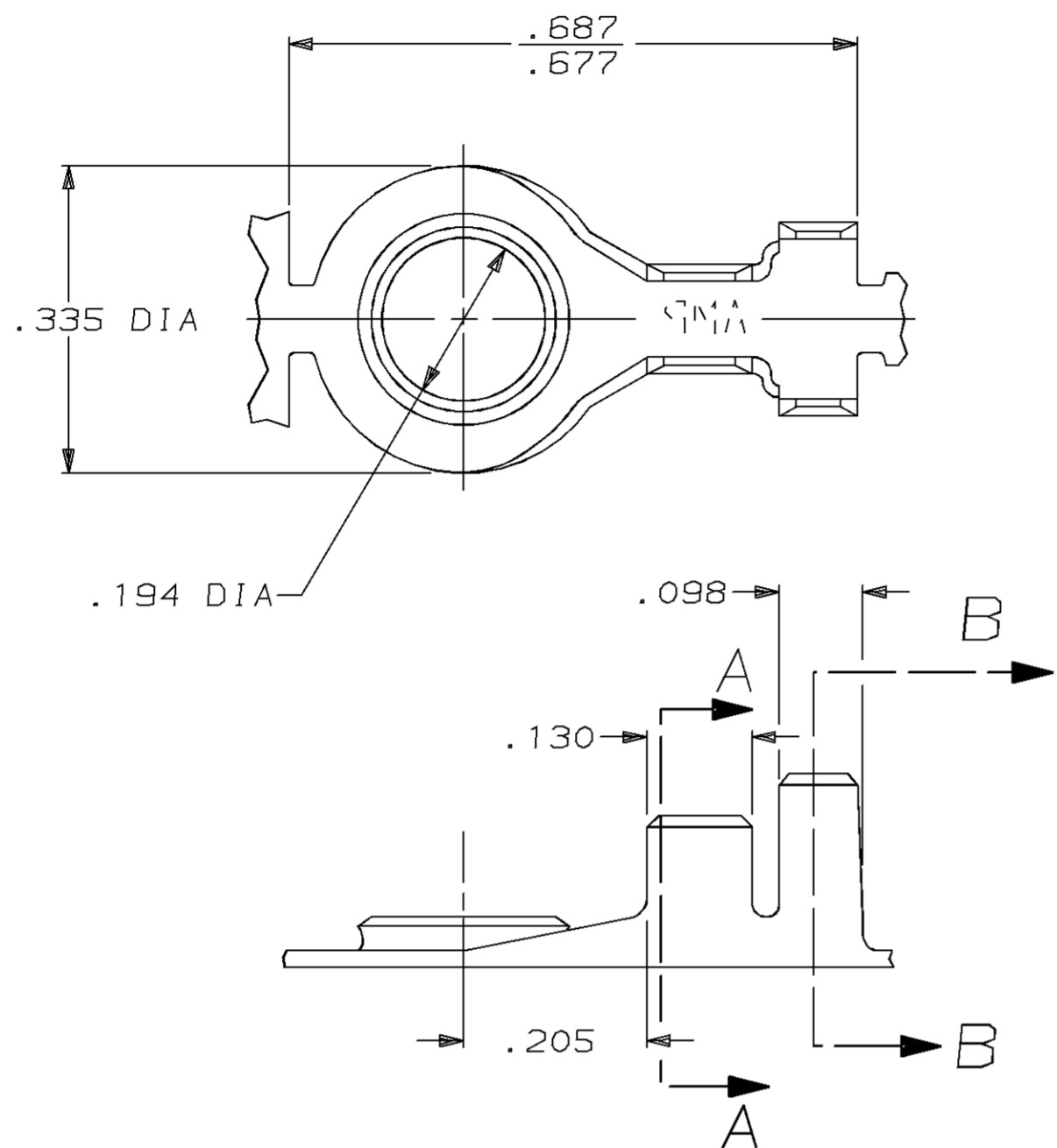
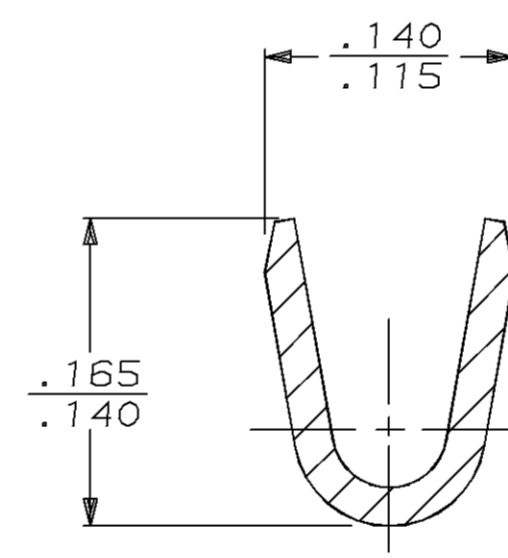


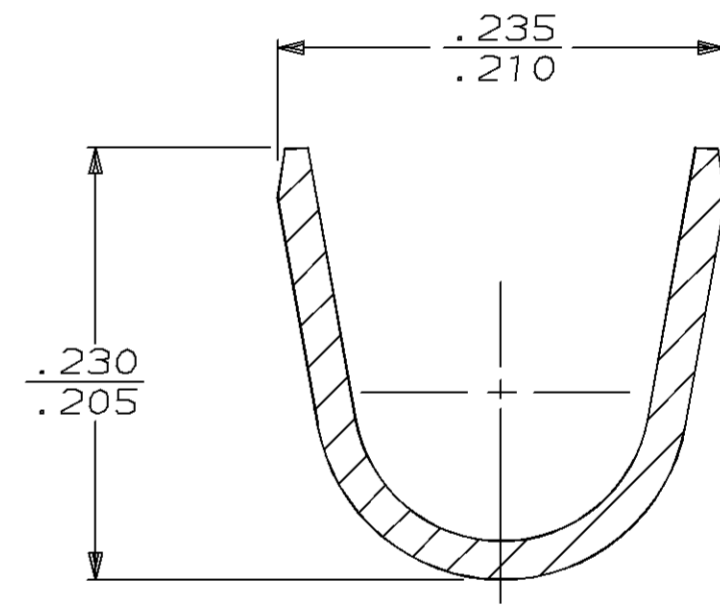
LOC	DIST	P	F	ZONE	LTR	DESCRIPTION	DATE	APPD
AF	50				E	REVISED PER 0L10-0084-97	18/FEB/97	PF/GY



1 CONTINUOUS STRIP ON REELS



SECTION A-A
SCALE 10:1



SECTION B-B
SCALE 10:1

F or 0	.210	.188	F	.100	.086	14
					.076	16
					.070	18
TYPE	WIDTH	STRIP LENGTH ±.015	TYPE	WIDTH	±.002 HEIGHT	WIRE
INSUL BARREL CRIMP			WIRE BARREL CRIMP			

		.120-.170 (2) .105 ^S STACKED	18-14	60546-1
		INSULATION RANGE	WIRE RANGE	PART NO
DO NOT SCALE PRINT. UNLESS SPECIFIED DIMENSIONS IN INCHES TOLERANCES ON : 2 PLC DEC ± - 3 PLC DEC ± .015 ANGLES ± -		DR 12/14/88 PHILLIP M FORTNEY CHK 12/19/88 JEFF R RUTH APPD 12/19/88 DONALD DECKER		AMP INCORPORATED Harrisburg, Pa. 17105 NAME <h1>EXTRUDED RING</h1>
MATERIAL #2 HARD BRASS		APPD 12/19/88 TERRY SHUTTER PRODUCT SPEC		
FINISH		APPLICATION SPEC		
		WEIGHT -	SIZE C FSCM NO 00779 SCALE 5:1	DRAWING NO 60546 SHEET 1 OF 1