

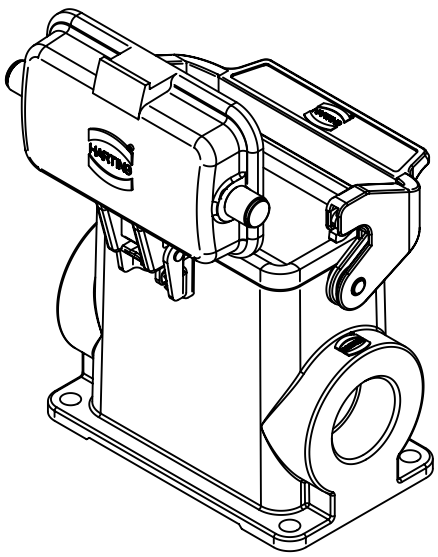
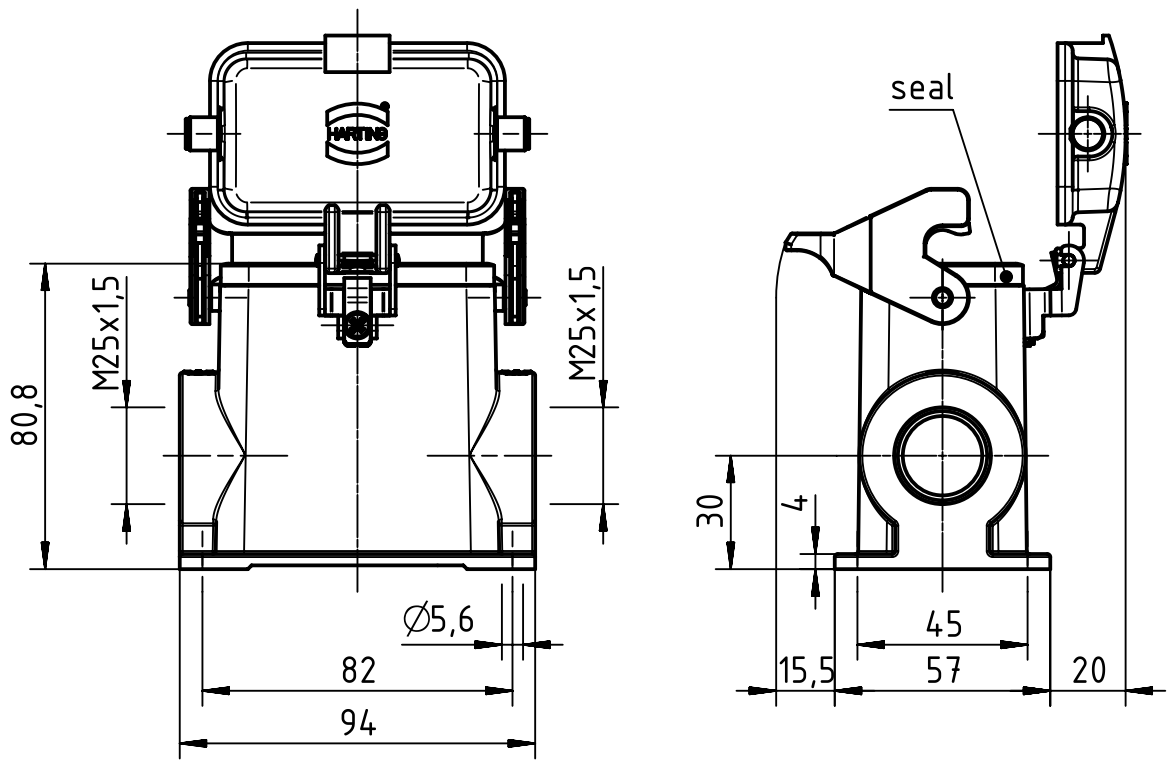
1 2 3 4 5 6


A

B

C

D



	All rights reserved Department EL PD - DE	All Dimensions in mm Original Size DIN A4		Scale 1:2	Free size tol.	Ref. Sub. TB 19 30 010 0296 v. 19.02.09	
		HARTING Electric GmbH & Co. KG D-32339 Espelkamp	Created by SPRENB	Inspected by BERGHORN	Standardisation TIEMANNA	Date 2014-01-30	State Final Release
Title Han 10B-asg2-LB-K-M25 (Ak in Al)						Doc-Key / ECM-Nr. 100564669/UGD/004/A 500000071121	
Type TB				Number 19 30 010 7296		Rev. A	Page 1/1