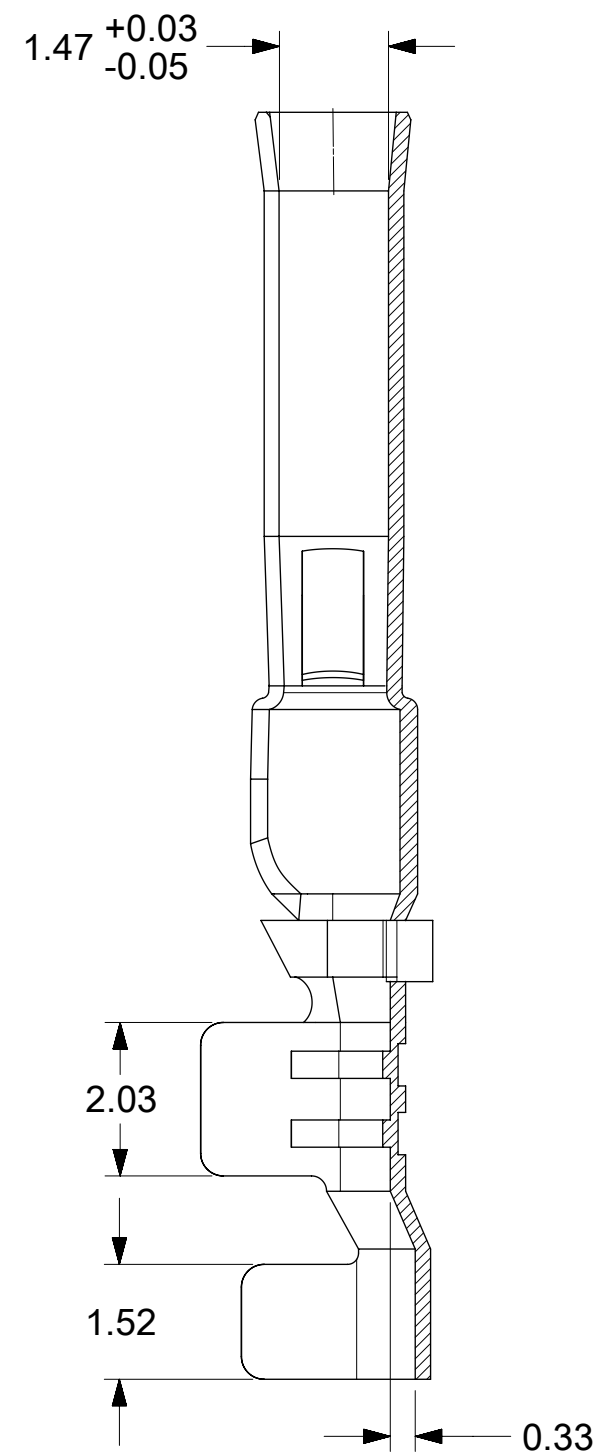
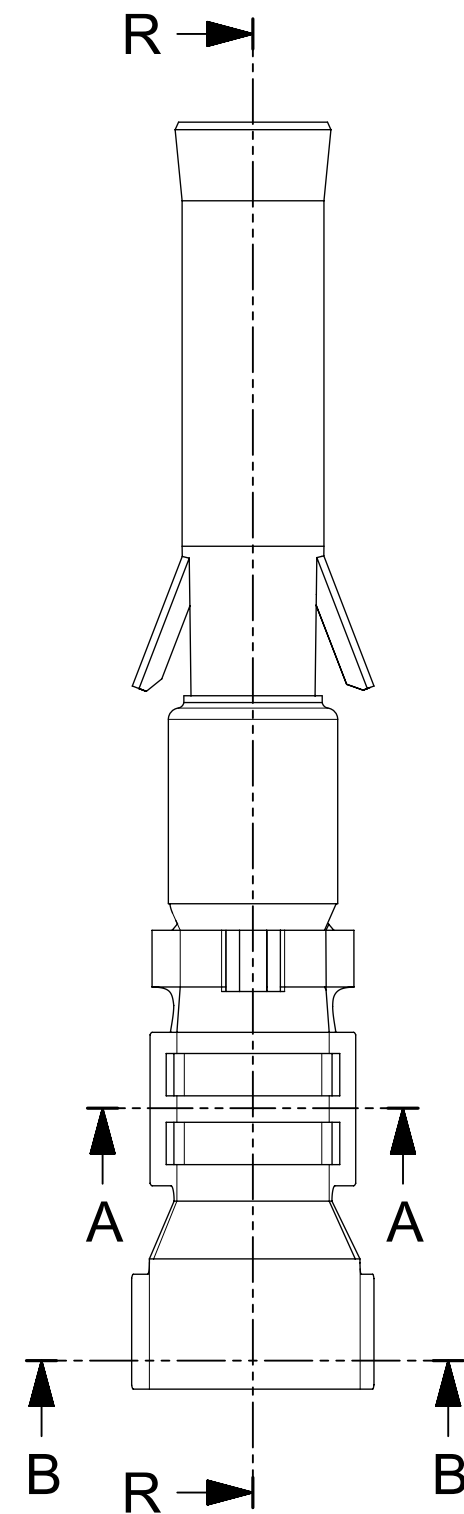


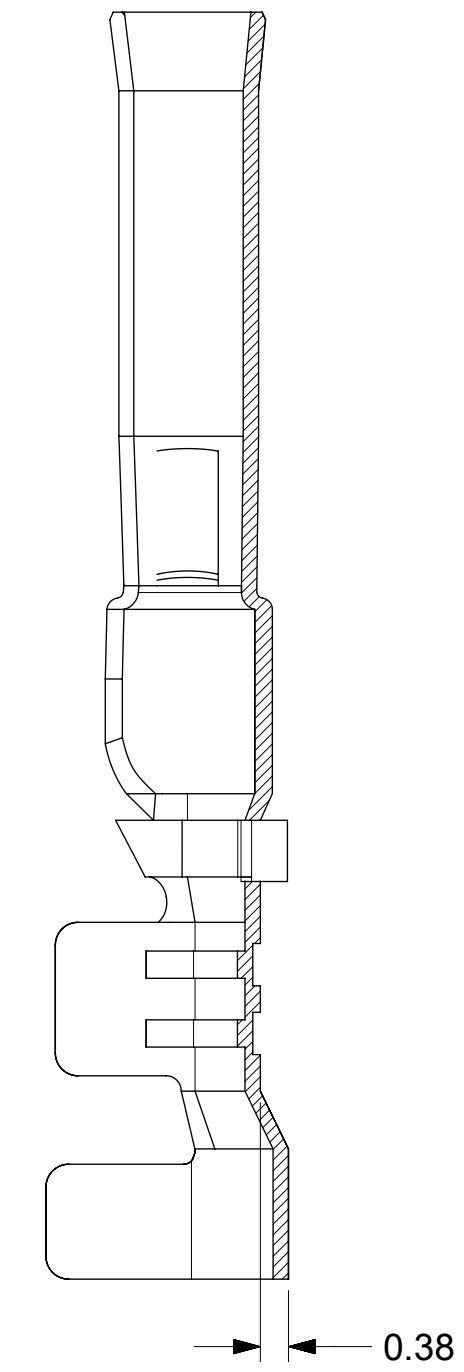
16-18 AWG TERMINAL



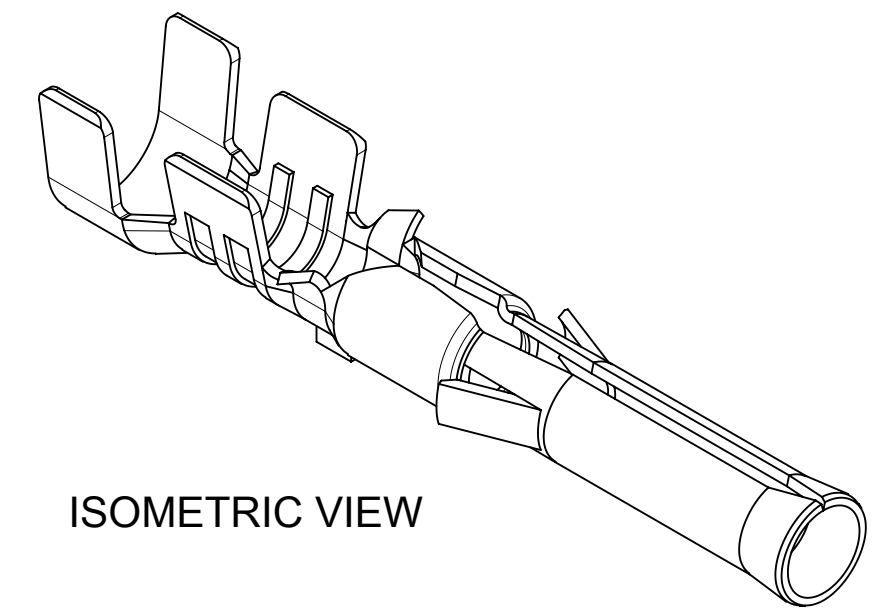
SECTION W-W



16 AWG TERMINAL



SECTION R-R

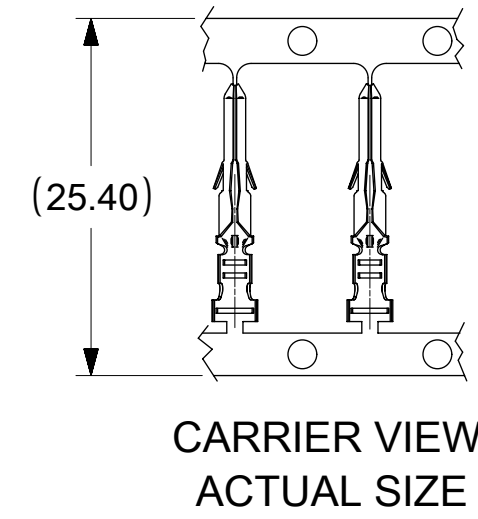
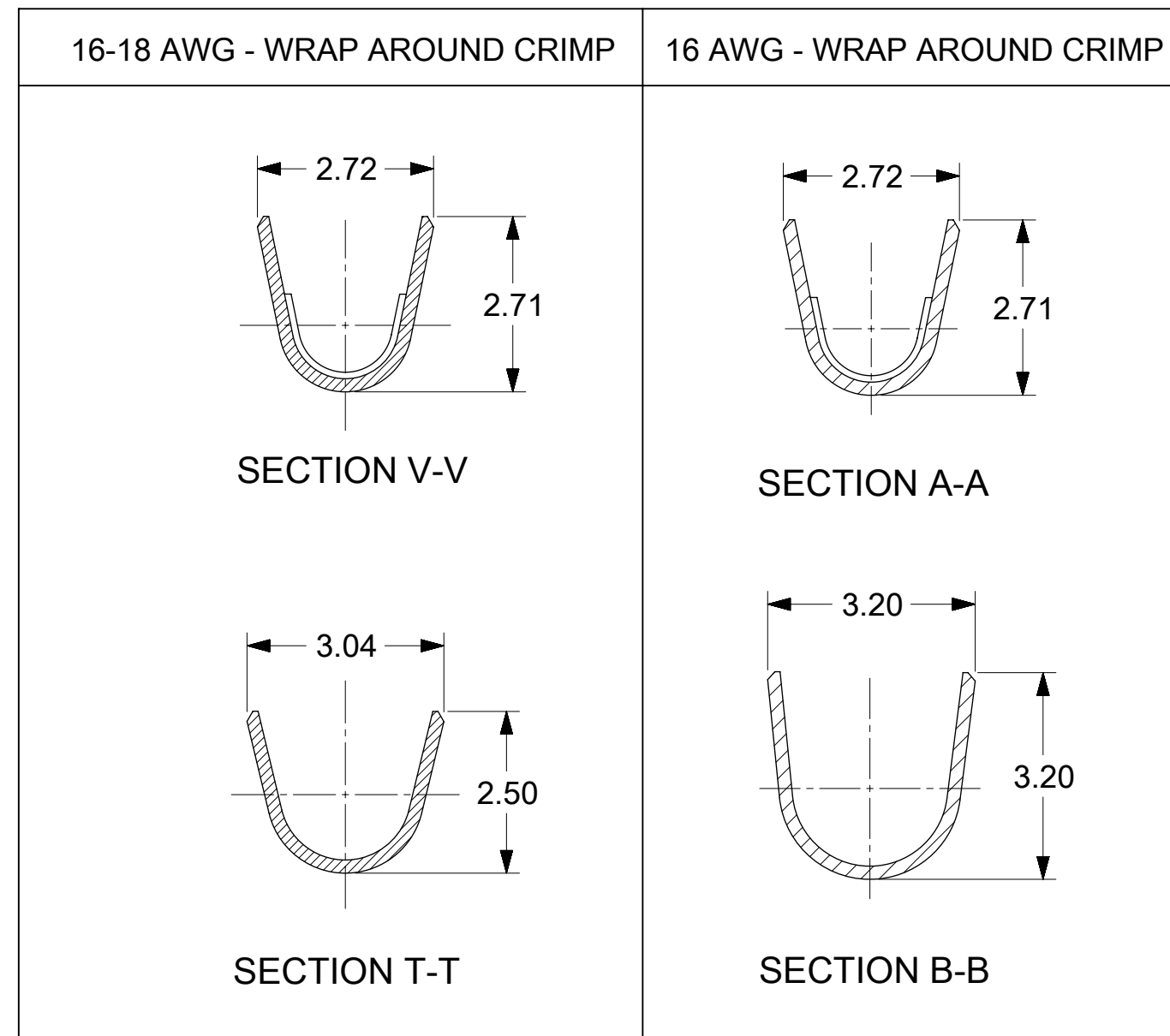


ISOMETRIC VIEW

THIS DRAWING CONTAINS INFORMATION THAT IS PROPRIETARY TO MOLEX ELECTRONIC TECHNOLOGIES, LLC AND SHOULD NOT BE USED WITHOUT WRITTEN PERMISSION

ACTIVATED 1730420003 EC NO: 119911 DRWN: ISHWARG CHKD: KPRASAD REV: APPR: 2017/07/24	GENERAL TOLERANCES (UNLESS SPECIFIED)	DIMENSION UNITS	SCALE			
	ANGULAR TOL ± 0.5 °	MM	10:1			
	4 PLACES ±	DRWN BY	DATE			
	3 PLACES ±	SS06	2015/02/27			
2 PLACES ± 0.25	CHK'D BY	DATE	VALUSEAL FEMALE TERMINAL 16-18 & 20-22 AWG			
1 PLACE ± 0.35	ISHWARG	2016/07/06				
0 PLACES ±	APPR BY	DATE				
DRAFT WHERE APPLICABLE MUST REMAIN WITHIN DIMENSIONS	RHODGE	2015/04/06	PRODUCT CUSTOMER DRAWING			
D1	DRAWING SIZE	THIRD ANGLE PROJECTION	SERIES	MATERIAL NUMBER	CUSTOMER	
	A2		173042	SEE TABLE	GENERAL MARKET	
			DOCUMENT NUMBER	DOC TYPE	DOC PART	SHEET NUMBER
			SD-173042-0001	PSD	000	1 OF 2

CONDUCTOR AND INSULATOR CRIMP DIMENSIONS




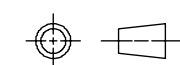
NOTES:

1. MATERIAL: TIN BRASS
2. FINISHES:  
HOT TIN DIP (60μ INCHES MIN).
3. PRODUCT SPECIFICATION: 1728770001-PS
4. PACKAGING SPECIFICATION: PK-173041-0001
5. TERMINAL FOR USE WITH RECEPTACLE HOUSING SERIES 172878
6. THIS PARTS CONFORM TO CLASS 'B' REQUIREMENTS OF COSMETIC SPECIFICATION PS-45499-002.

TABLE:

PART NUMBER	SHEET THICKNESS	CRIMP SIZE	WIRE STYLE	INSULATION DIAMETER (MEAN)	REMARKS
173042-0001	0.203	16 AWG	UL 1061	Ø1.98	ACTIVE
		18 AWG	UL 1007	Ø2.03	ACTIVE
		18 AWG	UL 1095	Ø1.90	ACTIVE
173042-0003	0.203	16 AWG	UL 1007	Ø2.39	ACTIVE

THIS DRAWING CONTAINS INFORMATION THAT IS PROPRIETARY TO MOLEX ELECTRONIC TECHNOLOGIES, LLC AND SHOULD NOT BE USED WITHOUT WRITTEN PERMISSION

ACTIVATED 1730420003 EC NO: 119911 DRWN: ISHWARG CHKD: KPRASAD REV: APPR:	2017/07/24	2017/07/28	GENERAL TOLERANCES (UNLESS SPECIFIED)	DIMENSION UNITS	SCALE		
			ANGULAR TOL ± 0.5 °	MM	10:1		
			4 PLACES ±	DRWN BY	DATE		SS06 2015/02/27
			3 PLACES ±	CHK'D BY	DATE		
			2 PLACES ± 0.25	ISHWARG	2016/07/06		
		1 PLACE ± 0.35	APPR BY	DATE	RHODGE 2015/04/06		
		0 PLACES ±					
		DRAFT WHERE APPLICABLE MUST REMAIN WITHIN DIMENSIONS	DRAWING SIZE	THIRD ANGLE PROJECTION		SERIES: 173042 MATERIAL NUMBER: SEE TABLE CUSTOMER: GENERAL MARKET	
D1			A2			DOCUMENT NUMBER: SD-173042-0001 DOC TYPE: PSD DOC PART: 000 SHEET NUMBER: 2 OF 2	