

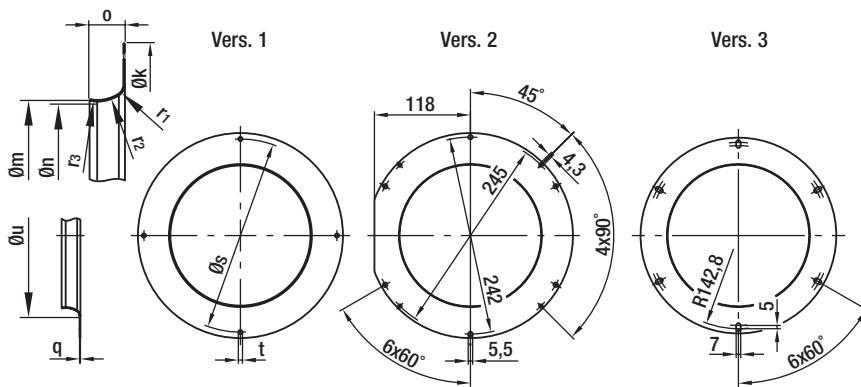
# Accessories

|   |     |
|---|-----|
| Inlet nozzles   | 550 |
| Guard grilles   | 553 |
| Lead connections, capacitors                                    | 558 |
| Terminal boxes, air filters                                     | 562 |
| Speed setting, motor protection switch, third-party accessories | 564 |



# Inlet nozzles

– Material: Galvanised sheet steel



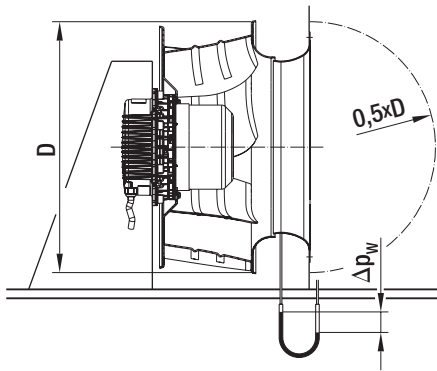
Inlet nozzles for backward curved centrifugal fans

| Part no.     | Size <sup>(1)</sup>    | Vers. | k     | m     | n     | o    | q    | r <sub>1</sub> | r <sub>2</sub> | r <sub>3</sub> | s     | t      | u     |
|--------------|------------------------|-------|-------|-------|-------|------|------|----------------|----------------|----------------|-------|--------|-------|
| 96120-2-4013 | 120 (P)                | 1     | 146.0 | 94.4  | —     | 18.0 | 0.80 | 16.0           | —              | —              | 134.0 | 4x4.5  | 126.0 |
| 09566-2-4013 | 133 (P)                | 1     | 129.0 | 87.0  | —     | 13.0 | 1.00 | 8.0            | —              | —              | 118.0 | 4x4.5  | 103.0 |
| 09576-2-4013 | 175/190 (P)            | 1     | 170.0 | 125.5 | —     | 14.0 | 1.25 | 10.0           | —              | —              | 158.0 | 4x4.5  | 146.0 |
| 09609-2-4013 | 220 (P)                | 2     | 252.0 | 155.0 | —     | 21.0 | 0.80 | 22.0           | —              | —              | —     | —      | 199.0 |
| 96358-2-4013 | 225 (P)                | 1     | 223.0 | 146.0 | —     | 28.0 | 1.50 | 25.0           | —              | —              | 210.0 | 4x4.5  | 196.0 |
| 96359-2-4013 | 250 (P/S)              | 1     | 255.0 | 164.5 | —     | 31.0 | 1.50 | 28.0           | —              | —              | 240.0 | 4x4.5  | 221.0 |
| 96360-2-4013 | 270/280 (S)            | 1     | 280.0 | 182.5 | —     | 35.0 | 1.50 | 31.0           | —              | —              | 260.0 | 4x4.5  | 245.0 |
| 97512-2-4013 | 310 (P)                | 3     | 300.0 | 192.0 | —     | 53.0 | 1.00 | 30.0           | 60.0           | —              | —     | —      | 257.0 |
| 31050-2-4013 | 310 (A)                | 1     | 300.0 | 211.0 | 208.1 | 48.0 | 1.25 | 18.0           | 55.5           | 35.0           | 280.0 | 4x4.5  | 256.0 |
| 31051-2-4013 | 310 <sup>(2)</sup> (A) | 1     | 300.0 | 211.0 | 209.2 | 27.5 | 1.25 | 10.0           | 32.0           | 20.0           | 280.0 | 4x4.5  | 236.0 |
| 51357-2-4013 | 330/355 (P)            | 1     | 350.0 | 224.0 | —     | 60.0 | 1.50 | 54.0           | 28.0           | —              | 325.0 | 4x4.5  | 284.0 |
| 35560-2-4013 | 355 (A)                | 1     | 350.0 | 240.0 | 236.4 | 60.0 | 1.50 | 22.5           | 70.0           | 44.0           | 325.0 | 4x4.5  | 296.0 |
| 35561-2-4013 | 355 <sup>(2)</sup> (A) | 1     | 350.0 | 240.0 | 238.0 | 30.0 | 1.50 | 11.0           | 35.0           | 22.0           | 325.0 | 4x4.5  | 267.0 |
| 54476-2-4013 | 400 (A)                | 1     | 370.0 | 257.0 | —     | 66.0 | 1.50 | 22.0           | 50.0           | 90.0           | 345.0 | 4x4.5  | 322.0 |
| 54478-2-4013 | 450 (A)                | 1     | 413.0 | 287.0 | —     | 71.0 | 1.50 | 25.0           | 55.0           | 100.0          | 390.0 | 6x9    | 362.0 |
| 63045-2-4013 | 450 (A)                | 1     | 450.0 | 289.0 | 284.5 | 75.0 | 1.50 | 28.0           | 87.0           | 49.0           | 425.0 | 6x9    | 360.0 |
| 54480-2-4013 | 500 (A)                | 1     | 520.0 | 323.0 | —     | 79.0 | 1.50 | 28.0           | 65.0           | 115.0          | 430.0 | 6x9    | 408.0 |
| 63072-2-4013 | 500 (A)                | 1     | 470.0 | 342.0 | 337.0 | 75.0 | 2.00 | 28.0           | 87.0           | 55.0           | 445.0 | 6x9    | 412.0 |
| 63071-2-4013 | 560 (A)                | 1     | 515.0 | 385.0 | 380.0 | 82.0 | 2.00 | 30.0           | 95.0           | 60.0           | 490.0 | 6x9    | 461.0 |
| 63070-2-4013 | 630 (A)                | 1     | 634.0 | 433.0 | 427.0 | 98.5 | 2.00 | 37.0           | 14.0           | 72.0           | 600.0 | 6x10.5 | 525.0 |

subject to alterations

(1) size with key for impeller material: (P) = plastic, (S) = sheet steel, (A) = aluminium (2) short inlet nozzle

# Inlet nozzles with pressure-measuring point for air flow measurement



## Air flow measurement:

The differential pressure approach compares the static pressure before the inlet nozzle with the static pressure inside the inlet nozzle.

Air flow can be calculated on the basis of the differential pressure (difference in pressure of the static pressures) in keeping with the following equation:

$$\dot{V} = k \cdot \sqrt{\Delta p_w} \quad \dot{V} \text{ in [m}^3/\text{h]} \text{ and } \Delta p_w \text{ in [Pa]}$$

If constant air flow control is used, then the nozzle pressure has to be kept constant:

$$\Delta p_w = \dot{V}^2 : k^2$$

k takes into account the specific nozzle characteristics.

1 or 4 pressure measuring points are spaced along the circumference of the inlet nozzle. Connection on the customer side is accomplished via a premounted T tube connector. This tube connector is suited for pneumatic hoses with an internal diameter of 4 mm.

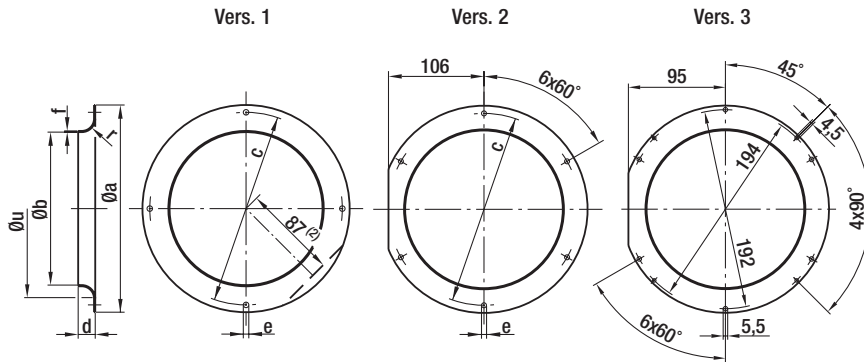
## Inlet nozzles with measuring device to determine air flow for backward curved centrifugal fans

| Part no. with 1 nozzle | Part no. with 4 nozzles (Piezometer ring) | Size | k-value | For additional information, refer to p. 550 |
|------------------------|---|------|---------|---|
| —                      | 96400-2-4013                              | 250  | 68      | 96359-2-4013                                |
| —                      | 96410-2-4013                              | 280  | 80      | 96360-2-4013                                |
| 31100-2-4013           | 31080-2-4013                              | 310  | 120     | 31050-2-4013                                |
| 31110-2-4013           | 31090-2-4013                              | 310  | 103     | 31051-2-4013                                |
| 35600-2-4013           | 35580-2-4013                              | 355  | 155     | 35560-2-4013                                |
| 35610-2-4013           | 35590-2-4013                              | 355  | 138     | 35561-2-4013                                |
| 54515-2-4013           | 54500-2-4013                              | 400  | 183     | 54476-2-4013                                |
| 54514-2-4013           | 54510-2-4013                              | 450  | 217     | 54478-2-4013                                |
| 64015-2-4013           | 64005-2-4013                              | 450  | 214     | 63045-2-4013                                |
| 54518-2-4013           | 54516-2-4013                              | 500  | 265     | 54480-2-4013                                |
| 64025-2-4013           | 64002-2-4013                              | 500  | 283     | 63072-2-4013                                |
| 64030-2-4013           | 64001-2-4013                              | 560  | 350     | 63071-2-4013                                |
| 64040-2-4013           | 64000-2-4013                              | 630  | 480     | 63070-2-4013                                |

subject to alterations

# Inlet nozzles

– Material: Galvanised sheet steel



## Inlet nozzles for forward curved centrifugal fans

| Part no.     | Size                     | Vers.            | a     | b     | c     | d    | e     | f    | r    | u     |
|--------------|--------------------------|------------------|-------|-------|-------|------|-------|------|------|-------|
| 09560-2-4013 | 076 / 085 <sup>(1)</sup> | 1                | 92.0  | 63.4  | 84.0  | 6.0  | 3x4.2 | 0.80 | 6.8  | —     |
| 09563-2-4013 | 097 <sup>(1)</sup>       | 1                | 116.0 | 80.0  | 108.0 | 10.0 | 3x4.5 | 0.80 | 10.0 | —     |
| 09566-2-4013 | 108                      | 1                | 129.0 | 87.0  | 118.0 | 13.0 | 4x4.5 | 1.00 | 8.0  | —     |
| 09569-2-4013 | 120                      | 1                | 142.0 | 100.0 | 132.0 | 9.0  | 4x4.5 | 1.00 | 8.0  | —     |
| 09572-2-4013 | 133                      | 1                | 150.0 | 112.0 | 142.0 | 12.0 | 4x4.5 | 1.00 | 10.0 | —     |
| 09576-2-4013 | 140 / 146                | 1                | 170.0 | 125.5 | 158.0 | 14.0 | 4x4.5 | 1.25 | 10.0 | —     |
| 09588-2-4013 | 160                      | 1 <sup>(2)</sup> | 185.0 | 130.0 | 175.0 | 17.0 | 4x4.5 | 0.75 | 12.0 | —     |
| 09597-2-4013 | 180                      | 3                | 210.0 | 149.0 | —     | 28.0 | —     | 1.25 | 25.0 | —     |
| 09605-2-4013 | 200 / 225                | 2                | 230.0 | 175.0 | 213.0 | 24.0 | 6x5.5 | 1.25 | 20.0 | 203.0 |
| 25010-2-4013 | 250 <sup>(3)</sup>       | 1                | 300.0 | 193.0 | 285.0 | 51.5 | 6x7   | 1.50 | 27.3 | —     |
| 28010-2-4013 | 280 <sup>(3)</sup>       | 1                | 336.0 | 228.0 | 315.0 | 58.5 | 6x7   | 1.50 | 36.5 | 296.0 |
| 31010-2-4013 | 310 <sup>(3)</sup>       | 1                | 374.0 | 257.0 | 350.0 | 62.5 | 6x9   | 1.50 | 39.5 | 327.0 |
| 35510-2-4013 | 355 <sup>(3)</sup>       | 1                | 413.0 | 289.0 | 390.0 | 71.5 | 6x9   | 1.50 | 43.5 | 372.0 |
| 40010-2-4013 | 400 <sup>(3)</sup>       | 1                | 456.0 | 325.0 | 430.0 | 79.5 | 6x9   | 1.50 | 45.5 | 414.0 |
| 45010-2-4013 | 450 <sup>(3)</sup>       | 1                | 530.0 | 365.0 | 510.0 | 91.5 | 6x9   | 1.50 | 49.5 | 459.0 |

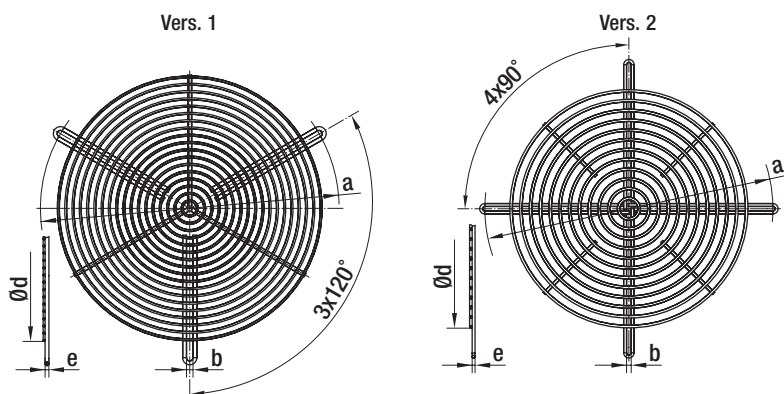
subject to alterations

(1) 3 drilled holes staggered by 120°

(2) only for 09588-2-1013

(3) 6 drilled holes staggered by 60°

# Guard grille



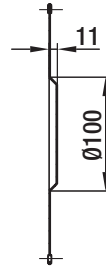
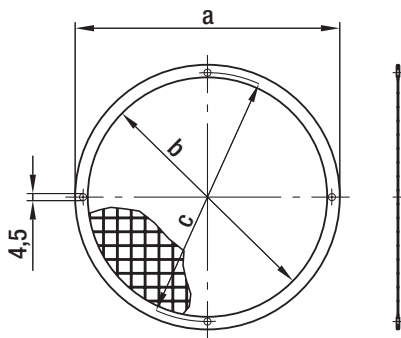
– **Material:** Steel wire, plastic coated, silver-metallic gloss

Guard grille for backward curved centrifugal fans (according to EN 294)

| Part no.     | Size | Vers. | a     | b   | d     | e   |
|--------------|------|-------|-------|-----|-------|-----|
| 78130-2-4039 | 310  | 1     | 280.0 | 4.5 | 230.0 | 2.8 |
| 78132-2-4039 | 400  | 1     | 345.0 | 4.5 | 310.0 | 2.8 |
| 78136-2-4039 | 450  | 2     | 425.0 | 8.5 | 350.0 | 3.8 |
| 78139-2-4039 | 500  | 2     | 445.0 | 8.5 | 410.0 | 3.8 |
| 78137-2-4039 | 560  | 2     | 490.0 | 8.5 | 430.0 | 3.8 |
| 78138-2-4039 | 630  | 2     | 600.0 | 8.5 | 490.0 | 3.8 |

subject to alterations

# Guard grille



<sup>(4)</sup>Size 160

- **Material:** Welded grille made of galvanised steel, frame made of tinned sheet iron 0.4 mm thick

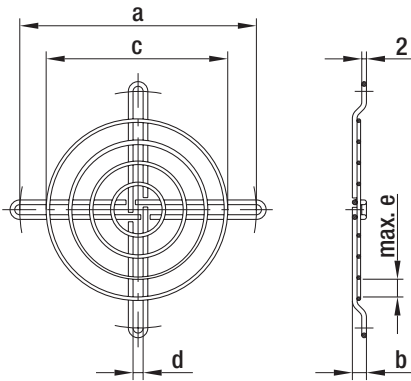
## Guard grilles for centrifugal blowers with single inlet

| Part no.     | Size                     | a     | b     | c     |
|--------------|--------------------------|-------|-------|-------|
| 09489-2-4039 | 076 / 085 <sup>(3)</sup> | 90.0  | 74.0  | 84.0  |
| 09490-2-4039 | 108                      | 126.0 | 110.0 | 118.0 |
| 09494-2-4039 | 120                      | 140.0 | 124.0 | 132.0 |
| 09492-2-4039 | 140 / 146                | 168.0 | 152.0 | 158.0 |
| 09503-2-4039 | 160 <sup>(4)</sup>       | 183.0 | 170.0 | 175.0 |
| 09493-2-4039 | 180 <sup>(5)</sup>       | 205.0 | 189.0 | 194.0 |

subject to alterations

<sup>(3)</sup> 3 drilled holes staggered by 120°

<sup>(5)</sup> not suitable for G2E180-EH03-01



- **Material:** Steel wire

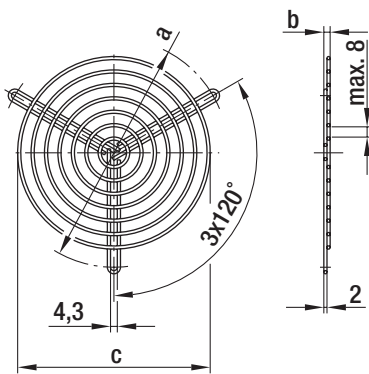
## Guard grilles for centrifugal blowers with single inlet

| Part no.     | Size               | a     | b    | c     | d   | e   | Coating                                    |
|--------------|--------------------|-------|------|-------|-----|-----|--|
| 09603-2-4039 | 076 / 085          | 101.0 | 6.0  | 79.0  | 4.3 | 8.0 | plastic coated, silver-metallic gloss      |
| 98214-2-4039 | 108                | 120.0 | 3.5  | 88.0  | 4.3 | 8.0 | plastic coated, silver-metallic gloss      |
| 25028-2-4039 | 140 / 146          | 162.0 | 8.5  | 139.0 | 4.3 | 8.0 | galvanised, chromatised in blue            |
| 17729-2-4039 | 160                | 175.0 | 3.5  | 139.0 | 4.6 | 7.0 | galvanised, chromatised in blue            |
| 09526-2-4039 | 180 <sup>(6)</sup> | 194.0 | 39.5 | 164.0 | 4.3 | 8.0 | phosphated, plastic coated in RAL no. 9005 |

subject to alterations

<sup>(6)</sup> only suitable for G2E180-EH03-01

# Guard grille



– **Material:** Steel wire

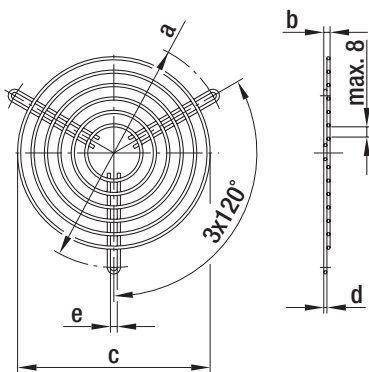
## Guard grilles for centrifugal blowers with dual inlet

| Part no.     | Size               | a     | b   | c     | Coating                                    |
|--------------|--------------------|-------|-----|-------|--|
| 83319-2-4039 | 097 <sup>(1)</sup> | 96.0  | 3.5 | 71.0  | phosphated, plastic coated in RAL no. 9005 |
| 09485-2-4039 | 097 <sup>(2)</sup> | 114.0 | 3.5 | 88.0  | phosphated, plastic coated in RAL no. 9005 |
| 09500-2-4039 | 133 / 146          | 145.0 | 4.0 | 122.0 | phosphated, plastic coated in RAL no. 9005 |
| 31003-2-4039 | 180                | 192.0 | 9.5 | 174.0 | phosphated, plastic coated in RAL no. 9005 |
| 95644-2-4039 | 200                | 250.0 | 5.0 | 206.0 | plastic coated, silver-metallic gloss      |

subject to alterations

(1) for D2E097-CH

(2) for D2E097-B\*



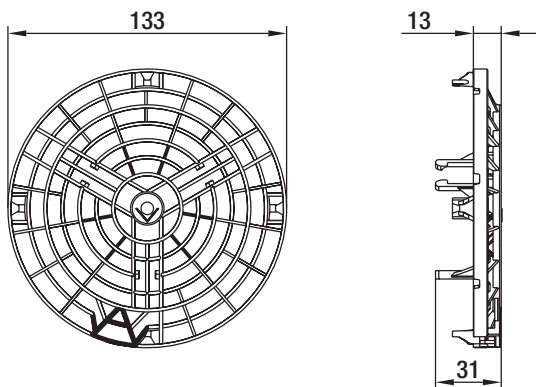
– **Material:** Phosphated steel wire, plastic coated, silver-metallic gloss

## Guard grilles for centrifugal blowers with dual inlet (versions with EW motor)

| Part no.     | Size      | a     | b    | c     | d   | e   |
|--------------|-----------|-------|------|-------|-----|-----|
| 35000-2-4039 | 160       | 182.0 | 12.0 | 144.0 | 2.4 | 4.5 |
| 62226-2-4039 | 180       | 192.0 | 9.0  | 173.0 | 3.0 | 5.2 |
| 62227-2-4039 | 200       | 213.0 | 9.0  | 190.0 | 3.0 | 5.2 |
| 62228-2-4039 | 225 / 240 | 242.0 | 9.0  | 222.0 | 3.0 | 5.2 |
| 25825-2-4039 | 250       | 275.0 | 9.0  | 255.0 | 3.0 | 5.2 |

subject to alterations

# Guard grille



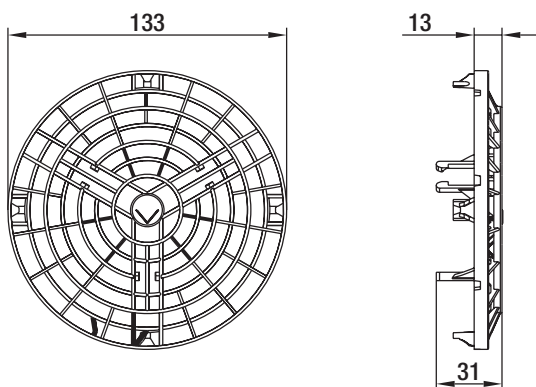
- **Material:** PA plastic 6.6 GV25 V0, black
- **Special feature:** Triangular, raised contour
- **Suitable for:**  
D2E140-HR; D2E146-KA; D2E146-KB;  
D2E146-HR; D2E146-HS; D2E146-HT;  
D4E146-LV

Guard grilles for blowers with dual inlet with plastic housing (cable exit side of blower)

Part no.

34265-2-2929

subject to alterations



- **Material:** PA plastic 6.6 GV25 V0, black
- **Special feature:** Outer two rings are closed
- **Suitable for:**  
D2E140-HR; D2E146-KA; D2E146-KB;  
D2E146-HR; D2E146-HS; D2E146-HT;  
D4E146-LV; K4E146-AB

Guard grilles for blowers with dual inlet with plastic housing (side of blower opposite cable exit)

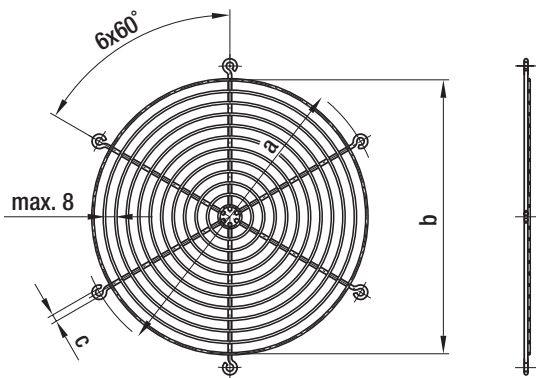
Part no.

38182-2-2929

subject to alterations



# Guard grille



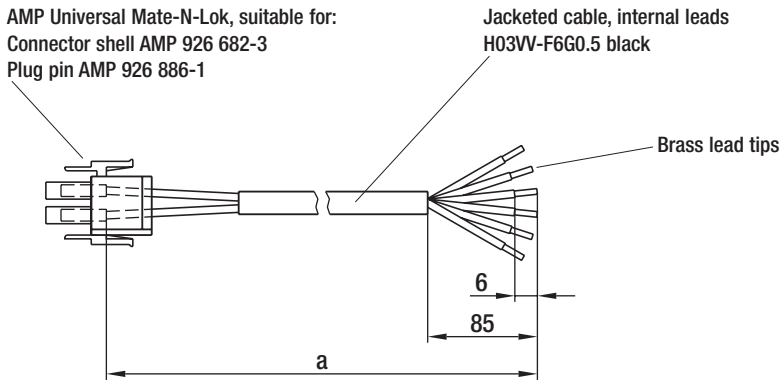
- **Material:** Phosphated steel wire, plastic coated in RAL no. 9005, black

## Guard grilles (e.g. for axial fans)

| Part no.     | Size | a     | b     | c   |
|--------------|------|-------|-------|-----|
| 09513-2-4039 | 200  | 250.0 | 227.0 | 6.0 |
| 09518-2-4039 | 250  | 295.0 | 265.0 | 7.0 |
| 09532-2-4039 | 300  | 380.0 | 323.0 | 9.0 |

subject to alterations

# Connection leads

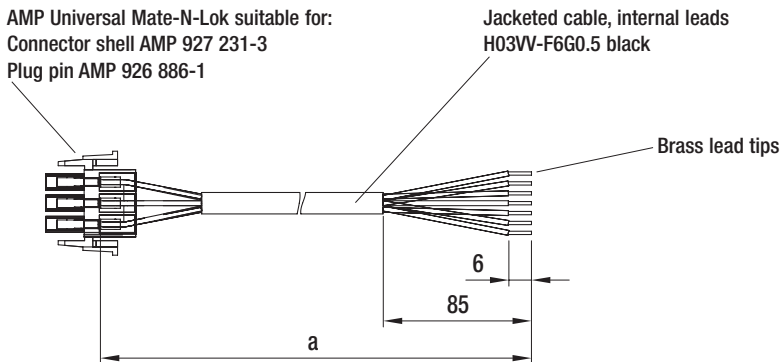


- **Suitable for:**  
D2E140-HR; D2E146-KA; D2E146-KB;  
D2E146-HR; D2E146-HS; D2E146-HT;  
D2E160-FI; D2E160-FK
- **Plug assignment:**  
1 = Step 1 (white)  
2 = Step 2 (red)  
3 = Step 3 (grey)  
4 = Step 4 (black)  
5 = N (blue)  
6 = PE (green/yellow)

## Lead connections for centrifugal blowers

| Part no.     | a      |
|--------------|--------|
| 21956-4-1040 | 300.0  |
| 21957-4-1040 | 450.0  |
| 21958-4-1040 | 650.0  |
| 21959-4-1040 | 1000.0 |

subject to alterations



- **Suitable for:**  
D4E146-LV; K4E146-AB
- **Plug assignment:**  
1 = Step 1 (white)  
2 = Step 2 (red)  
3 = Step 3 (grey)  
4 = Step 4 (orange)  
5 = Step 5 (black)  
8 = N (blue)  
9 = PE (green/yellow)

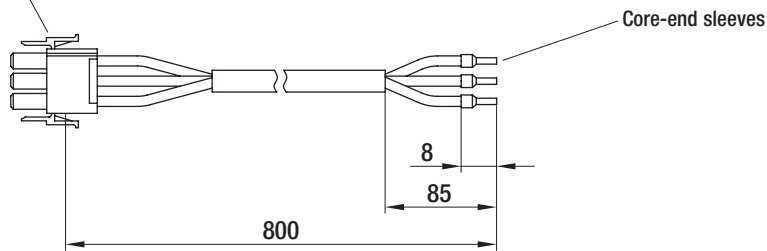
## Lead connections for centrifugal blowers

| Part no.     | a      |
|--------------|--------|
| 21810-4-1012 | 450.0  |
| 21811-4-1012 | 1050.0 |
| 21812-4-1012 | 1300.0 |
| 21813-4-1012 | 1600.0 |
| 21814-4-1012 | 2300.0 |

subject to alterations

# Connection leads

AMP Mate-N-Lok female connector



**- Plug assignment:**

- 1 = N (black 2)
- 2 = L (black 1)
- 3 = PE (green / yellow)

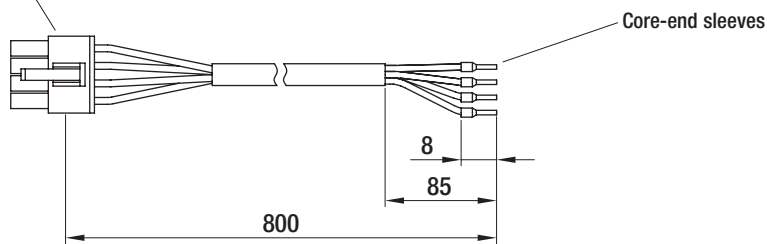
**Line lead for EC centrifugal fans** (clean room technology)

Part no.

**22243-4-1029**

subject to alterations

Molex Mini-Fit female connector



**- Plug assignment:**

- 1 = RSB (white)
- 2 = RSA (yellow)
- 3 = +15 V (red)
- 4 = 0 V (blue)

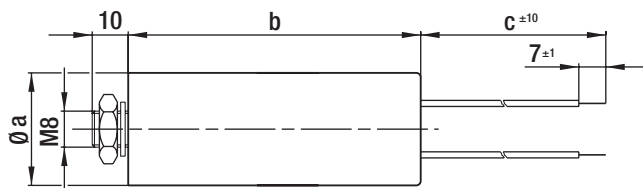
**Control line for EC centrifugal fans** (clean room technology)

Part no.

**22242-4-1029**

subject to alterations

# Capacitors



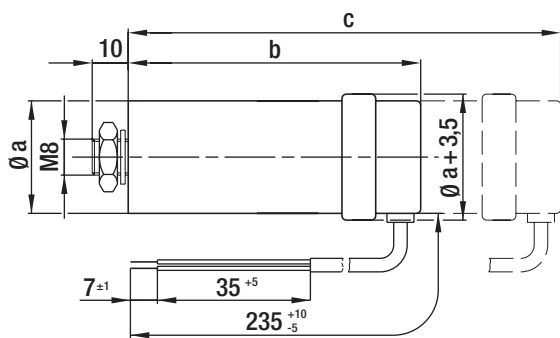
- **Material:** Housing made of Thermoplast
- **Connection lead:** Multi-lead PVC cable  
0.5 mm<sup>2</sup> with brass lead tips
- **Approval:** VDE according to DIN EN 60252  
(VDE 0560/8)
- **Calculated life time:**  
400 V; -25 to +85°C; 30,000 hrs; class A  
450 V; -25 to +85°C; 10,000 hrs; class B

## MKP motor capacitors (without fuse)

| Part no.     | Capacity     | a     | b (max.) | c     |
|--------------|--------------|-------|----------|-------|
| 02100-4-7320 | 1.0 $\mu$ F  | 25-28 | 58.0     | 235.0 |
| 99282-4-7320 | 1.5 $\mu$ F  | 25-28 | 58.0     | 235.0 |
| 99283-4-7320 | 2.0 $\mu$ F  | 25-28 | 58.0     | 235.0 |
| 02103-4-7320 | 2.5 $\mu$ F  | 25-28 | 70.0     | 235.0 |
| 68462-4-7320 | 3.0 $\mu$ F  | 25-28 | 70.0     | 235.0 |
| 99284-4-7320 | 4.0 $\mu$ F  | 28-32 | 58.0     | 235.0 |
| 02101-4-7320 | 5.0 $\mu$ F  | 30-36 | 70.0     | 235.0 |
| 99285-4-7320 | 6.0 $\mu$ F  | 30-36 | 70.0     | 235.0 |
| 66788-4-7320 | 7.0 $\mu$ F  | 30-36 | 72.0     | 100.0 |
| 99286-4-7320 | 8.0 $\mu$ F  | 35-40 | 72.0     | 235.0 |
| 99287-4-7320 | 10.0 $\mu$ F | 35-40 | 72.0     | 200.0 |
| 66786-4-7320 | 12.0 $\mu$ F | 40.0  | 72.0     | 100.0 |
| 30457-4-7320 | 14.0 $\mu$ F | 40-45 | 92.0     | 150.0 |
| 50090-4-7320 | 16.0 $\mu$ F | 35-40 | 95.0     | 100.0 |
| 90034-4-7320 | 20.0 $\mu$ F | 40.0  | 95.0     | 235.0 |
| 90025-4-7320 | 25.0 $\mu$ F | 40.0  | 120.0    | 235.0 |

subject to alterations

# Capacitors

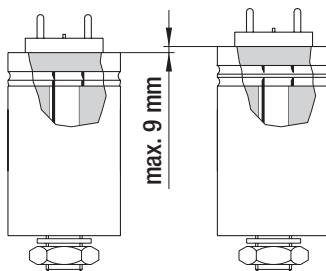


- **Material:** Plastic cap, aluminium cup
- **Designation:** FPU or P2 according to IEC 252 (non-flammable, non-explosive, circuit-breaking)
- **Approval:** VDE according to DIN EN 60252 (VDE 0560/8)
- **Calculated life time:**  
 420 V; -25 to +85°C; 30,000 hrs; class A  
 470 V; -25 to +85°C; 10,000 hrs; class B  
 500 V; -25 to +85°C; 3,000 hrs; class C

## MKP motor capacitors FPU or P2 (with fuse)

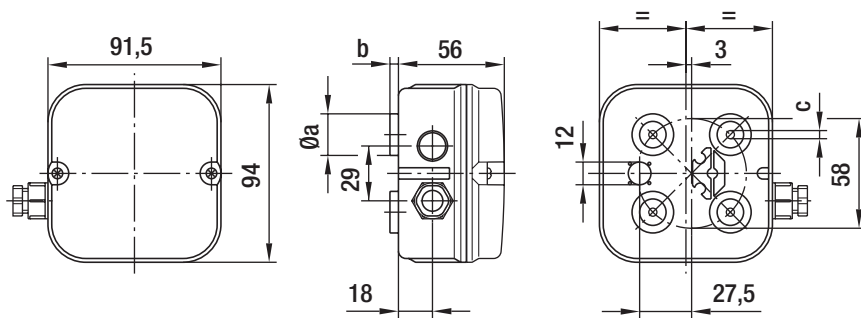
| Part no.     | Capacity | a     | b (max.) | c (max.) |
|--------------|----------|-------|----------|----------|
| 02151-4-7320 | 1.0 µF   | 25-30 | 77.0     | 92.0     |
| 02155-4-7320 | 1.5 µF   | 25.0  | 77.0     | 92.0     |
| 02156-4-7320 | 2.0 µF   | 25.0  | 77.0     | 92.0     |
| 02159-4-7320 | 2.5 µF   | 30.0  | 71.0     | 92.0     |
| 02160-4-7320 | 3.0 µF   | 30.0  | 71.0     | 92.0     |
| 02161-4-7320 | 4.0 µF   | 25-30 | 104.0    | 135.0    |
| 02162-4-7320 | 5.0 µF   | 25-30 | 104.0    | 113.0    |
| 02163-4-7320 | 6.0 µF   | 30.0  | 101.0    | 110.0    |
| 02164-4-7320 | 7.0 µF   | 30-35 | 101.0    | 110.0    |
| 02165-4-7320 | 8.0 µF   | 30-35 | 102.0    | 111.0    |
| 02166-4-7320 | 10.0 µF  | 35.0  | 96.0     | 110.0    |
| 02167-4-7320 | 12.0 µF  | 35.0  | 96.0     | 110.0    |
| 90026-4-7320 | 14.0 µF  | 40.0  | 130.0    | 139.0    |
| 02168-4-7320 | 16.0 µF  | 40.0  | 96.0     | 130.0    |
| 02169-4-7320 | 20.0 µF  | 40.0  | 116.0    | 130.0    |
| 02170-4-7320 | 25.0 µF  | 40-45 | 116.0    | 130.0    |

subject to alterations



- **Pull-off protector:** The housing expands by max. 9 mm. The protector responds to overload by the generated excess pressure snapping off the internal lead in a predetermined breaking point.
- **Mounting:** c is the overall dimension of the capacitor which has to be taken into account when mounting the part. The capacitor design, however, depends on the manufacturer. The expansion (9 mm) is either added to dimension b, or it is already integrated in the capacitor.

# Terminal box



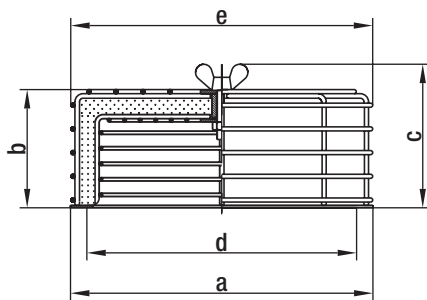
- **Material:** ABS
- **Description:** Two-piece terminal box for AC motors of size 068 or 074, terminal strip with 4- or 7-pole. Suitable for installation of capacitor with 10  $\mu$ F max.
- **Type of protection:** IP 54

## Terminal box

| Part no.     | AC motor      | a       | b    | c   |
|--------------|---------------|---------|------|-----|
| 64442-1-7612 | 068 (4 poles) | 22.0    | 5.0  | 4.3 |
| 64444-1-7612 | 068 (7 poles) | 22.0    | 5.0  | 4.3 |
| 64443-1-7612 | 074 (4 poles) | 12x14.5 | 10.5 | 5.5 |
| 64445-1-7612 | 074 (7 poles) | 12x14.5 | 10.5 | 5.5 |

subject to alterations

# Air filter



- **Material:** Steel wire / sheet steel, plastic coated in RAL no. 9005, black
- **Filter:** Viledon filter type R: PSB / 29 OS (according to DIN 24185)  
Separation capacity: < 86 %  
Efficiency: < 20 %  
Dust binding capacity: 650 g/m<sup>2</sup>

## Air filters for centrifugal blowers (with die-cast aluminium housing)

| Part no.     | Size            | a     | b    | c    | d       | e     | Spare filter |
|--------------|-----------------|-------|------|------|---------|-------|--------------|
| 95777-1-5171 | 108 / 120       | 142.0 | 66.0 | 83.0 | 118-132 | 145.0 | 95779-1-5171 |
| 95778-1-5171 | 140 / 146 / 160 | 185.0 | 74.0 | 91.0 | 158-175 | 185.0 | 95780-1-5171 |
| 95347-1-5171 | 180             | 210.0 | 74.0 | 91.0 | 194.0   | 185.0 | 95780-1-5171 |

subject to alterations

# Speed setting, 3-phase (with 5 steps) for wall assembly



- **Technical features:** Input for TOP
- **Voltage steps:** 3~ 400 / 280 / 230 / 180 / 140 VAC
- **Type of protection:** IP 20 (with vertical installation)

| Nominal data     | Nominal voltage |     | Frequency | Current draw | Mass |
|------------------|-----------------|-----|-----------|--------------|------|
|                  | Type            | VAC |           |              |      |
| TCD 020-AA01 -05 | 3~              | 400 | 50/60     | 2.0          | 9.5  |
| TCD 040-AA01 -05 | 3~              | 400 | 50/60     | 4.0          | 13.9 |
| TCD 070-AA01 -05 | 3~              | 400 | 50/60     | 7.0          | 19.7 |

subject to alterations





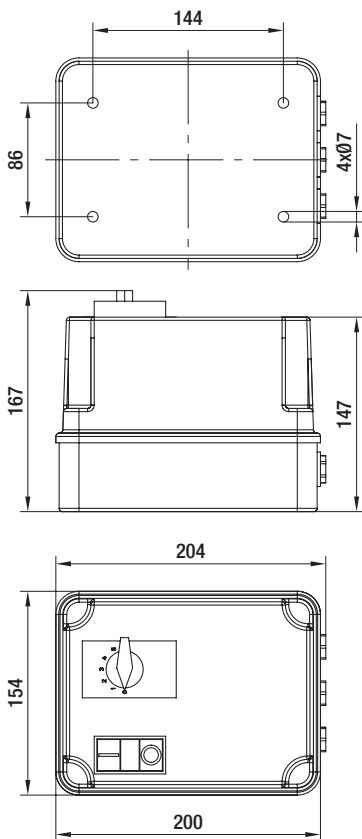
# Speed setting, single-phase (with 5 steps) for wall assembly



- **Technical features:** Input for TOP
- **Voltage steps:** 1~ 230 / 160 / 145 / 130 / 105 VAC
- **Type of protection:** IP 40

| Nominal data     | Nominal voltage |     | Frequency | Current draw | Mass |
|------------------|-----------------|-----|-----------|--------------|------|
|                  | Type            | VAC |           |              |      |
| TCE 021-AA01 -05 | 1~              | 230 | 50/60     | 2.1          | 3.6  |
| TCE 040-AA01 -05 | 1~              | 230 | 50/60     | 4.0          | 4.8  |
| TCE 075-AA01 -05 | 1~              | 230 | 50/60     | 7.5          | 6.5  |

subject to alterations



# Motor protection switch, 3-phase for assembly inside a cabinet

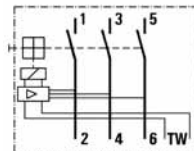
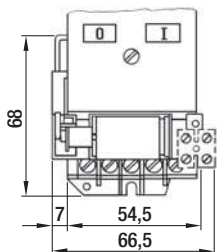


– **Technical features:** Input for TOP

| Nominal data     | Nominal voltage |       | Frequency | Current draw | Mass                        | Auxiliary contactor |
|------------------|-----------------|-------|-----------|--------------|-----------------------------|---------------------|
| Type             | VAC             | Hz    | A         | kg           |                             |                     |
| TPD 250-AB01 -01 | 3~ 400          | 50/60 | 25.0      | 0.3          | without auxiliary contactor |                     |
| TPD 250-AB01 -02 | 3~ 400          | 50/60 | 25.0      | 0.3          | with break contact          |                     |
| TPD 250-AB01 -03 | 3~ 400          | 50/60 | 25.0      | 0.3          | with make contact           |                     |

subject to alterations

– **Electr. connection:**



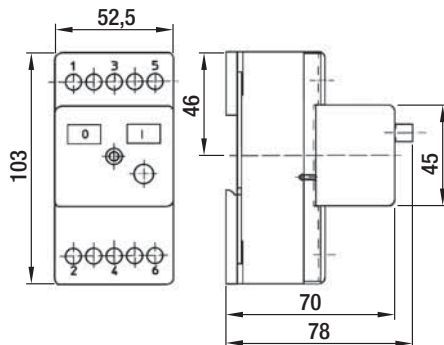
# Motor protection switch, single-phase for assembly inside a cabinet



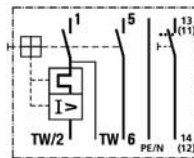
– **Technical features:** Input for TOP

| Nominal data     | Nominal voltage | Frequency | Current draw | Mass | Auxiliary contactor         |
|------------------|-----------------|-----------|--------------|------|-----------------------------|
| Type             | VAC             | Hz        | A            | kg   |                             |
| TPE 100-AB01 -01 | 3~ 230          | 50/60     | 10.0         | 0.3  | without auxiliary contactor |
| TPE 100-AB01 -02 | 3~ 230          | 50/60     | 10.0         | 0.3  | with break contact          |
| TPE 100-AB01 -03 | 3~ 230          | 50/60     | 10.0         | 0.3  | with make contact           |

subject to alterations



– **Electr. connection:**



# Motor-protection switch, single phase and three-phase for wall assembly



- **Technical features:** Input for TOP
- **Type of protection:** IP 55

| Nominal data     | Nominal voltage | Frequency | Current draw | Mass | Auxiliary contactor         |
|------------------|-----------------|-----------|--------------|------|-----------------------------|
| Type             | VAC             | Hz        | A            | kg   |                             |
| TPD 250-AA01 -01 | 3~ 400          | 50/60     | 25.0         | 0.6  | without auxiliary contactor |
| TPD 250-AA01 -02 | 3~ 400          | 50/60     | 25.0         | 0.6  | with break contact          |
| TPD 250-AA01 -03 | 3~ 400          | 50/60     | 25.0         | 0.6  | with make contact           |
| TPE 100-AA01 -01 | 1~ 230          | 50/60     | 10.0         | 0.6  | without auxiliary contactor |
| TPE 100-AA01 -02 | 1~ 230          | 50/60     | 10.0         | 0.6  | with break contact          |
| TPE 100-AA01 -03 | 1~ 230          | 50/60     | 10.0         | 0.6  | with make contact           |

subject to alterations



## - Electr. connection, three-phase:



## - Electr. connection, single-phase:



# Star-delta switch / repair switch

Third-party accessories from Möller Electric GmbH



for wall installation

More information: [www.moeller.net](http://www.moeller.net)

## Star-delta switch (available from Möller Electric GmbH)

| Designation  | Installation         |
|--------------|----------------------|
| T0-4-8410/I1 | Wall installation    |
| T0-4-8410/E  | Cabinet installation |

subject to alterations



for wall installation

More information: [www.moeller.net](http://www.moeller.net)

## Repair switch, lockable (available from Möller Electric GmbH)

| Designation         | Installation         |
|---------------------|----------------------|
| T0-2-8900/I1/SVB-SW | Wall installation    |
| T0-2-8900/EA/SVB-SW | Cabinet installation |

subject to alterations

