

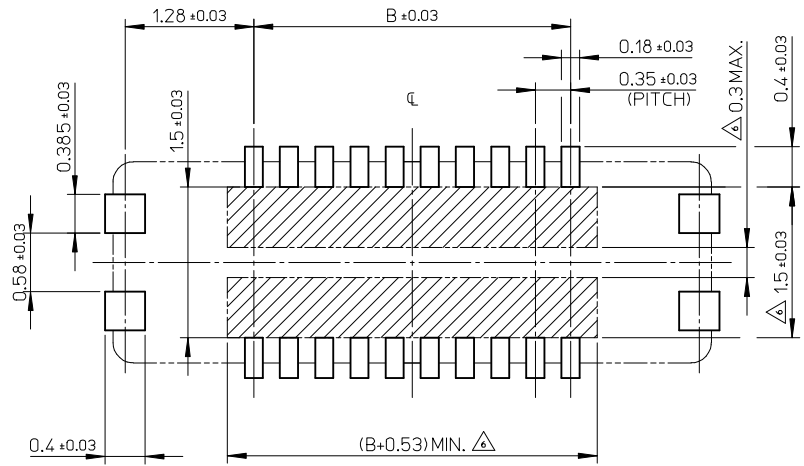
NOTES

- MATERIAL
HOUSING : LIQUID CRYSTAL POLYMER UL94V-0(COLOR : BLACK)
TERMINAL : COPPER ALLOY
FITTING NAIL : COPPER ALLOY
- PLATING
TERMINAL :
GOLD
UNDER PLATING : NICKEL
*DIVIDE INTO PARTS THE GOLD PLATING OF THE CONTACT AND THE TAIL PART BY THE NICKEL PLATING.
FITTING NAIL :
GOLD
UNDER PLATING : NICKEL
*DIVIDE INTO PARTS THE GOLD PLATING OF THE CONTACT AND THE TAIL PART BY THE NICKEL PLATING.
- APPLY FOR (CIRCUIT/2)=EVEN.
- MATE WITH : 505070-***10
- TAIL AND FITTING NAIL COPLANARITY TO BE 0.08MAXIMUM.
- PROHIBITED AREA OF PATTERN WIRING AND SOLDER.
(FOR EACH AREA, THE WIRING THAT TOUCHES ON THE SOLDER CAN BE ATTACHED, THEN COVERED WITH A FILM TO KEEP SOLDER OUT.)
- ELV and RoHS COMPLIANT.

1.75	4.55	505066-1210	o	---	12
0.70	3.50	505066-0610	o	---	6
B	A	EMBOSSED TAPE PACKAGE	HIGH VOL. TOOL	LOW VOL. TOOL	CIRCUIT
		ORDER NO.	SAMPLE PREPARATION o : TOOLED Δ : WORK IN PROCESS ---: TOOLING TO BE CONFIRMED		

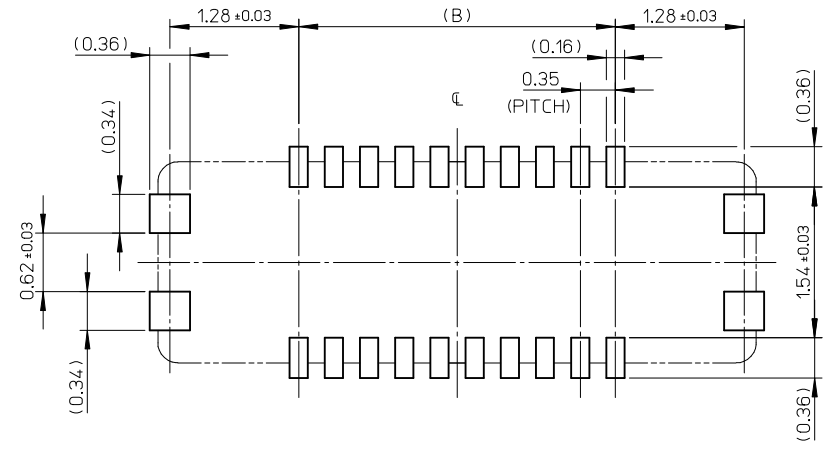
CONNECTOR SERIES No. : 505066-***09

REVISED EC NO: J2016-1010 DRWN:MIT001 2016/03/30 CHKD:TASAKAWA 2016/03/30 APPR:KMORIKAWA 2016/03/31	GENERAL TOLERANCES (UNLESS SPECIFIED)		DIMENSION STYLE MM ONLY		SCALE 20:1	DESIGN UNITS METRIC	THIRD ANGLE PROJECTION
	0.25 UNDER	±0.03	DRAWN BY	DATE	TITLE		
	0.25 OVER 0.5 UNDER	±0.05	KSASAKI	2014/04/07	0.35 BB CONN. H=0.6 SSB6 RP REC. ASSY		
	0.5 OVER 1.0 UNDER	±0.1	CHECKED BY	DATE			
	1.0 OVER 10 UNDER	±0.2	KTANAKA03	2014/04/07			
10 OVER 30 UNDER	±0.25	APPROVED BY	DATE	DOCUMENT NO.		SHEET NO.	
30 OVER	±0.3	KMORIKAWA	2014/04/08	SD-505066-001		1 OF 2	
ANGULAR ±1 °		MATERIAL NO.		SEE CHART			
DRAFT WHERE APPLICABLE MUST REMAIN WITHIN DIMENSIONS			SIZE A3	THIS DRAWING CONTAINS INFORMATION THAT IS PROPRIETARY TO MOLEX ELECTRONIC TECHNOLOGIES, LLC AND SHOULD NOT BE USED WITHOUT WRITTEN PERMISSION			



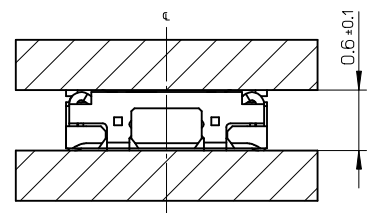
RECOMMENDED P.W.BOARD PATTERN LAYOUT (REFERENCE)

△ PROHIBITED AREA OF PATTERN WIRING AND SOLDER.
 (FOR EACH AREA, THE WIRING THAT TOUCHES ON THE SOLDER
 CAN BE ATTACHED, THEN COVERED WITH A FILM TO KEEP SOLDER OUT.)



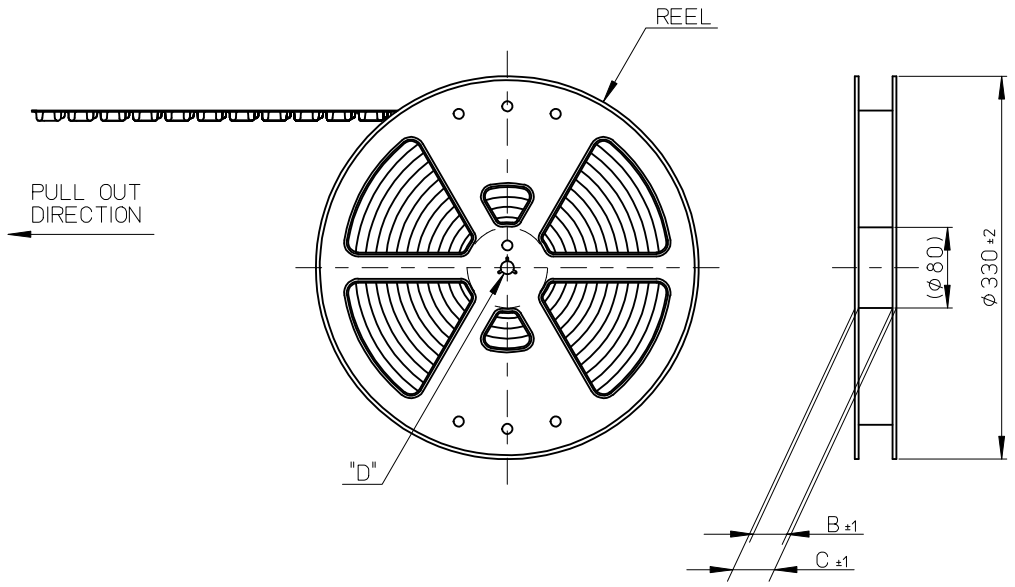
RECOMMENDED METAL MASK LAYOUT (REFERENCE)

RECOMMENDED THICKNESS OF METAL MASK : t=0.08mm
 RECOMMENDED OPEN APERTURE RATIO OF METAL MASK : 80%

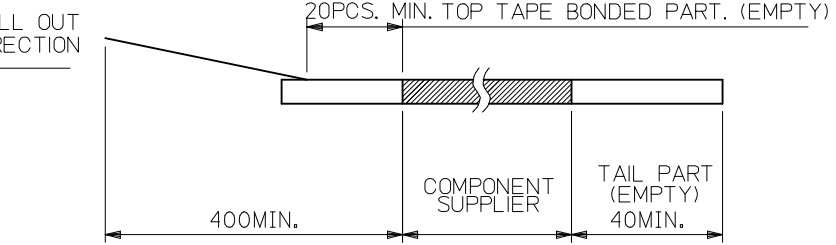


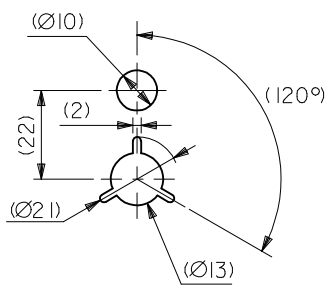
MATED CONDITION

REVISED EC NO: J2016-1010 DRWN:MIT001 2016/03/30 CHKD:TASAKAWA 2016/03/30 APPR:KMORIKAWA 2016/03/31	GENERAL TOLERANCES (UNLESS SPECIFIED)		DIMENSION STYLE MM ONLY		SCALE 20:1	DESIGN UNITS METRIC	THIRD ANGLE PROJECTION
	0.25 UNDER	± 0.03	DRAWN BY KSASAKI	DATE 2014/04/07	TITLE 0.35 BB CONN. H=0.6 SSB6 RP REC. ASSY		
	0.25 OVER 0.5 UNDER	± 0.05	CHECKED BY KTANAKA03	DATE 2014/04/07			
	0.5 OVER 1.0 UNDER	± 0.1	APPROVED BY KMORIKAWA	DATE 2014/04/08			
	1.0 OVER 10 UNDER	± 0.2	MATERIAL NO. SEE SHEET1		DOCUMENT NO. SD-505066-001	SHEET NO. 2 OF 2	
10 OVER 30 UNDER	± 0.25	DRAFT WHERE APPLICABLE MUST REMAIN WITHIN DIMENSIONS		THIS DRAWING CONTAINS INFORMATION THAT IS PROPRIETARY TO MOLEX ELECTRONIC TECHNOLOGIES, LLC AND SHOULD NOT BE USED WITHOUT WRITTEN PERMISSION			
30 OVER	± 0.3	SIZE A3					
ANGULAR	± 1 °						



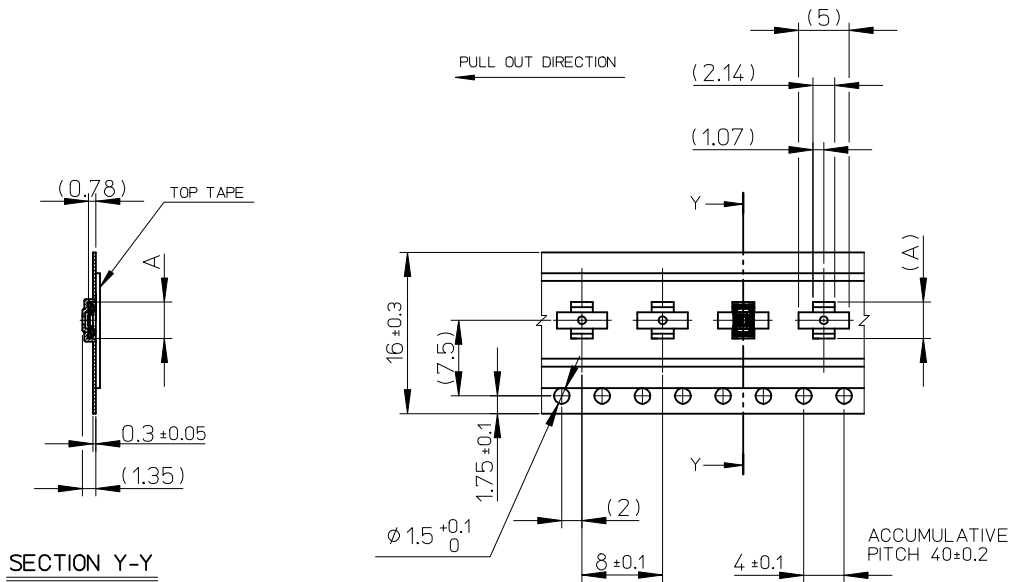
NOTES

1. RE DETAILED DIMENSION, SEE PRODUCT DRAWING.
2. NUMBER OF CONNECTORS : 3000PCS/REEL
3. LEAD TAPE LENGTH

4. TOP TAPE PEEL FORCE IS DEFINED BY IEC60286-3.
5. MATERIAL
 CARRIER TAPE : POLYSTYRENE
 TOP TAPE : PET , OTHER
 REEL : POLYSTYRENE (PS) <RECYCLE MATERIAL CONTAINED>
6. ELV AND RoHS COMPLIANT



DETAIL "D"

REVISED EC NO: J2016-1010 DRWN:MITO01 2016/03/30 CHKD:TASAKAWA 2016/03/30 APPR:KMORIKAWA 2016/03/31	GENERAL TOLERANCES (UNLESS SPECIFIED)		DIMENSION STYLE		MODEL NO.	505066-**10
	0.25 UNDER ±0.03		MM ONLY		DESIGN UNITS	METRIC
	0.25 OVER 0.5 UNDER ±0.05		DRAWN BY DATE		0.35 BB CONN. H=0.6 SSB6 RP REC. ASSY EMBSTP PKG molex	
	0.5 OVER 1.0 UNDER ±0.1		KSASAKI 2014/04/07			
	1.0 OVER 10 UNDER ±0.2		CHECKED BY DATE			
10 OVER 30 UNDER ±0.25		KTANAKA03 2014/04/07		THIRD ANGLE PROJECTION		
30 OVER ±0.3		APPROVED BY DATE		DOCUMENT NO.	SD-505066-002	
ANGULAR ±1 °		KMORIKAWA 2014/04/08		MATERIAL NO.	SEE CHART	
DRAFT WHERE APPLICABLE MUST REMAIN WITHIN DIMENSIONS		SIZE		THIS DRAWING CONTAINS INFORMATION THAT IS PROPRIETARY TO MOLEX ELECTRONIC TECHNOLOGIES, LLC AND SHOULD NOT BE USED WITHOUT WRITTEN PERMISSION		
K		A3		SHEET NO. 1 OF 2		



SECTION Y-Y

16	21.4	17.4	4.67	505066-1210	0	---	12	
			3.62	505066-0610	0	---	6	
キャリアテープ幅 CARRIER TAPE WIDTH		C	B	(A)	MATERIAL No.	HIGH VOL. TOOL	LOW VOL. TOOL	CIRCUIT
						SAMPLE PREPARATION		

REVISED EC NO: J2016-1010 DRWN: MIT001 CHKD: TASAKAWA APPR: KMORIKAWA 2016/03/30 2016/03/30 2016/03/31	GENERAL TOLERANCES (UNLESS SPECIFIED)		DIMENSION STYLE		SCALE	DESIGN UNITS	THIRD ANGLE PROJECTION	
	0.25 UNDER		MM ONLY		2:1	METRIC	DRAWN BY DATE KSASAKI 2014/04/07 CHECKED BY DATE KTANAKA03 2014/04/07 APPROVED BY DATE KMORIKAWA 2014/04/08 MATERIAL NO.	
	0.25 OVER 0.5 UNDER		DRAWN BY DATE		TITLE 0.35 BB CONN. H=0.6 SSB6 RP REC. ASSY EMBSTP PKG molex DOCUMENT NO. SD-505066-002 SHEET NO. 2 OF 2			
	0.5 OVER 1.0 UNDER		DATE					
1.0 OVER 10 UNDER		DRAWN BY DATE		SEE CHART				
10 OVER 30 UNDER		DATE		THIS DRAWING CONTAINS INFORMATION THAT IS PROPRIETARY TO MOLEX ELECTRONIC TECHNOLOGIES, LLC AND SHOULD NOT BE USED WITHOUT WRITTEN PERMISSION				
30 OVER		DATE						
ANGULAR ±1 °		DRAFT WHERE APPLICABLE MUST REMAIN WITHIN DIMENSIONS						