

DMC 1,5/ 3-G1F-3,5-LR P20THR

Order No.: 1787027

<http://eshop.phoenixcontact.de/phoenix/treeViewClick.do?UID=1787027>

Header, Nominal current: 8 A, Rated voltage (III/2): 160 V, Number of positions: 3, Pitch: 3.5 mm, Color: Black, Assembly: SMD/THT/THR

Commercial data

GTIN (EAN)	 4 046356 596534
Note	Made-to-order
sales group	E100
Pack	50 pcs.
Customs tariff	85366990
Catalog page information	Page 177 (CC-2011)

Product notesWEEE/RoHS-compliant since:
07/12/2010

<http://www.download.phoenixcontact.com>
Please note that the data given here has been taken from the online catalog. For comprehensive information and data, please refer to the user documentation. The General Terms and Conditions of Use apply to Internet downloads.

Technical data**Dimensions / positions**

Length	11.6 mm
Height	12.8 mm
Pitch	3.5 mm
Dimension a	7 mm
Number of positions	3

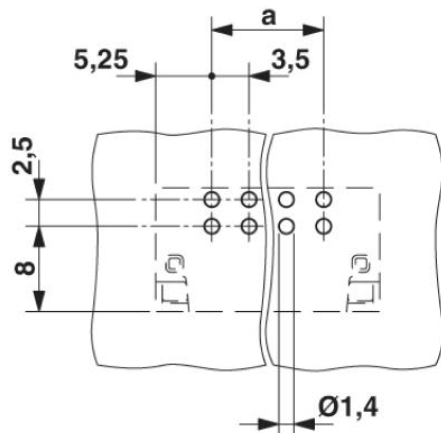
Pin dimensions	0,8 x 0,8 mm
Pin spacing	2.50 mm
Hole diameter	1.4 mm

Technical data

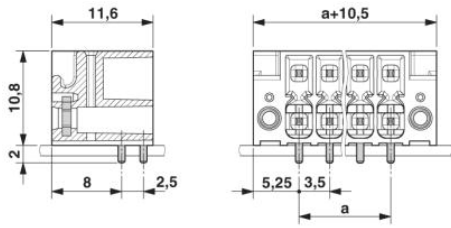
Range of articles	DMC 1,5/..-G1F-THR
Insulating material group	IIIa
Rated surge voltage (III/3)	2.5 kV
Rated surge voltage (III/2)	2.5 kV
Rated surge voltage (II/2)	2.5 kV
Rated voltage (III/2)	160 V
Rated voltage (II/2)	250 V
Connection in acc. with standard	EN-VDE
Nominal current I_N	8 A
Nominal voltage U_N	160 V
Maximum load current	8 A
Insulating material	LCP
Inflammability class acc. to UL 94	V0
Color	Black

Diagrams/Drawings

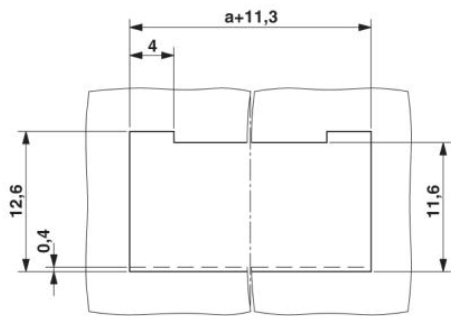
Drilling plan/solder pad geometry



Dimensioned drawing



Schematic diagram



Address

PHOENIX CONTACT Deutschland GmbH
Flachmarktstr. 8
32825 Blomberg, Germany
Phone +49 5235 3 12000
Fax +49 5235 3 41200
<http://www.phoenixcontact.de>



© 2011 Phoenix Contact
Technical modifications reserved;