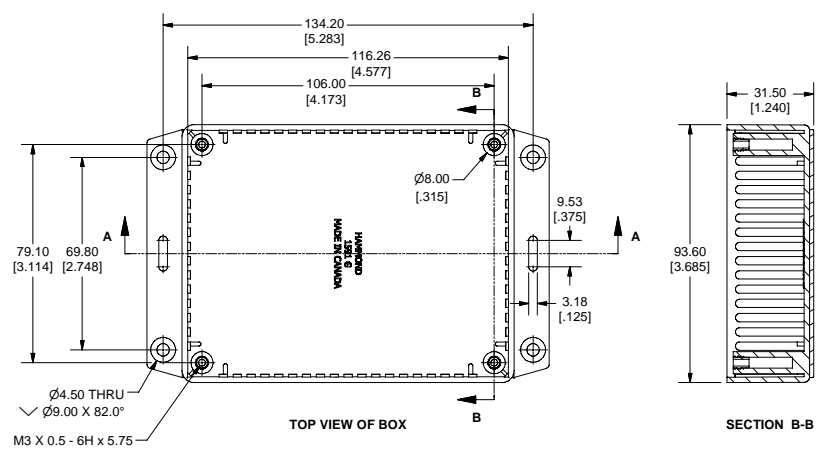
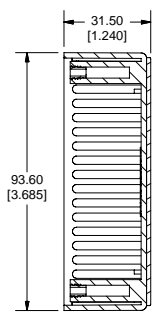


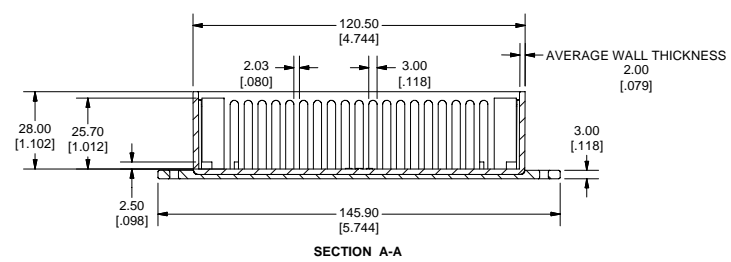
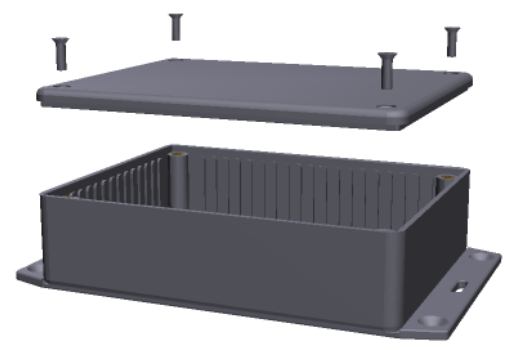
SIDE VIEW OF BOX



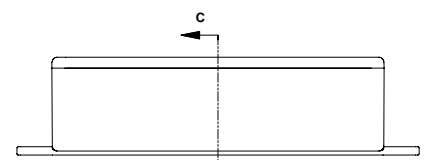
TOP VIEW OF BOX



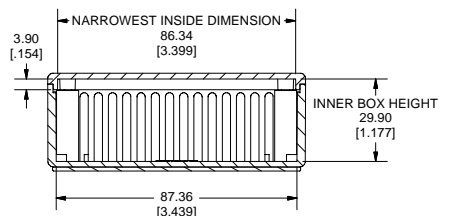
SECTION B-B



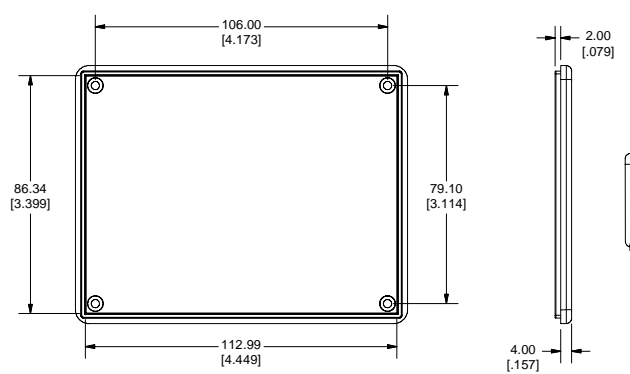
SECTION A-A



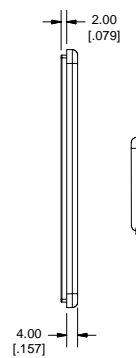
SIDEVIEW OF ASSEMBLY



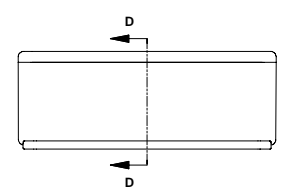
SECTION C-C



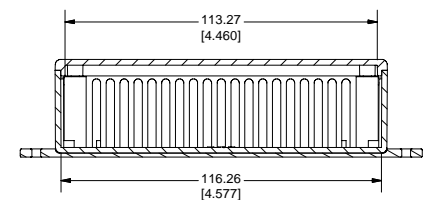
TOP VIEW OF LID



SIDE VIEW OF LID



ENDVIEW OF ASSEMBLY



SECTION D-D

Note:  
Enclosures can be Factory Modified ( Milling, Drilling, Printing etc.)  
Contact Factory [mjm@hammondmfg.com](mailto:mjm@hammondmfg.com) for quotes  
Solid models of this enclosure available in STEP or IGES Format.

PART NUMBERS		
1591G Flanged Box Enclosures		
Material	Colour	Part Number
FR ABS	Black	1591GF2BK
UL94 - V0	Grey	1591GF2GY
GP ABS	Black	1591GF2SBK
	Grey	1591GF2SGY
Accessories		
Description	Part Number	
PC Board Card Adapters	See Accessories Section	
Universal Use	Clear Lids - clear, flame retardant polycarbonate - Lid ONLY	1591GC
FR ABS	Replacement Screws, Flat Head Phillips Nickel Plated Pkg of 100	1591MS100 1591MS100BK (Black)
GP ABS	Self Tapping Pkg of 100	1591TS100 1591TS100BK (Black)
Recommended Torque on Fasteners (no lubrication)		
M3 - 0.5 x 10mm Screws	30-40 cN*m	
#4 x 0.5 Screws	30-40 cN*m	

**HAMMOND  
MANUFACTURING™**  
1591GF  
[www.hammondmfg.com](http://www.hammondmfg.com)