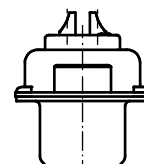
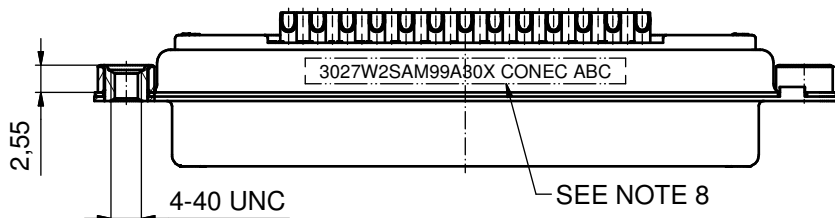
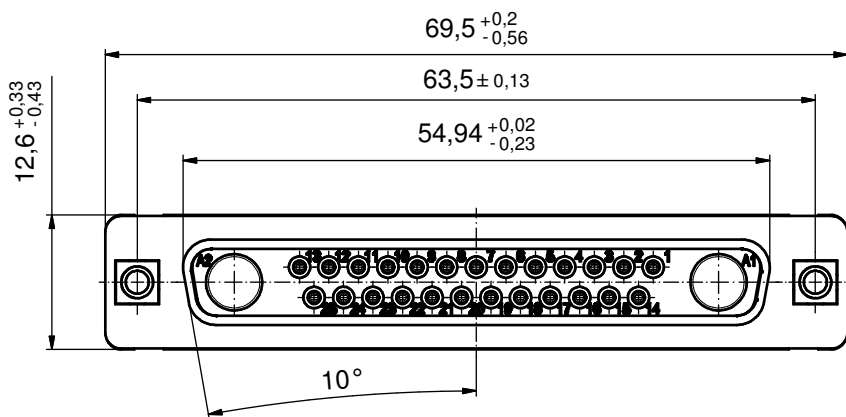
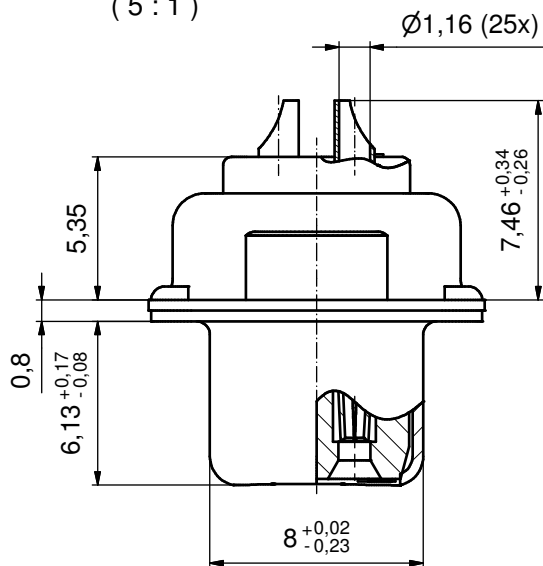


(5:1)



NOTES:

1. METALSHELLS: STEEL; min. 315µin TIN over 40-80µin NICKEL
2. INSULATORS: PBT GF UL 94 V-0; GREEN
3. SIGNAL CONTACTS: COPPER ALLOY
PLATING: GOLD FLASH over NICKEL
SOLDER CUP ACCEPTS CABLE AWG 20
4. NO CONTACTS ON POS. A1 + A2
5. THREADED INSERTS: COPPER ALLOY; min. 200µin TIN over 80µin NICKEL
6. COLLARS: COPPER ALLOY; min. 200µin TIN over 80µin NICKEL
7. MAXIMUM TORQUE VALUE FOR THREAD: 6 in.L.B
8. CONNECTOR IS PART MARKED: 3027W2SAM99A30X CONEC ABC

RoHS compliant

THIS DRAWING MAY NOT BE COPIED OR REPRODUCED IN ANY WAY, AND MAY NOT BE PASSED ON TO A THIRD PARTY WITHOUT WRITTEN PERMISSION. OWNERSHIP AND COPYRIGHT OF CONEC GmbH

DO NOT ALTER CAD DRAWING BY HAND

tolerance			dim. in mm	
date	name		drawn	15.04.15
		appd.	15.04.15	Lehmenkühler
		norm		
		d-old		
a	Original			
rev.	description			

scale:		2:1 (5:1)	
material:		SEE NOTES	
title:			
D-SUB COMBINATION FEMALE 27W2S SOLDER CUP with threaded insert			
dwg no:		13K1A4948	
		DIN-A3	
		sh: 1	
part no:		3027W2SAM99A30X	