

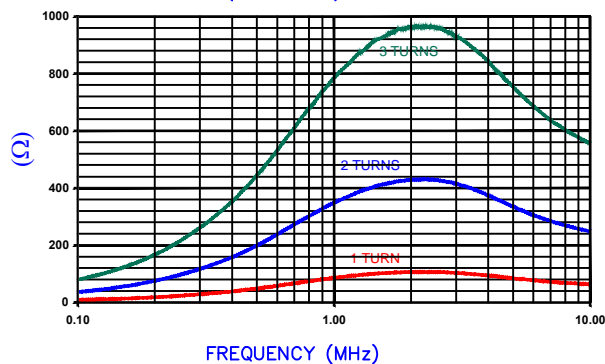
IMPEDANCE ( Z ) NET<sup>SEE NOTE 1</sup>

FREQUENCY	500 KHz	1 MHz	5 MHz
NOMINAL (REF.) 1 TURN	53 Ω	91 Ω	84 Ω
MINIMUM (SPEC.) 1 TURN	- Ω	68 Ω	- Ω
NOMINAL (REF.) 2 TURNS	200 Ω	350 Ω	330 Ω
NOMINAL (REF.) 3 TURNS	430 Ω	780 Ω	770 Ω

SECTION A-A

SEE DETAIL "A"

Z vs. FREQUENCY  
1 TURN, 2, AND 3 TURNS  
(REF. ONLY)



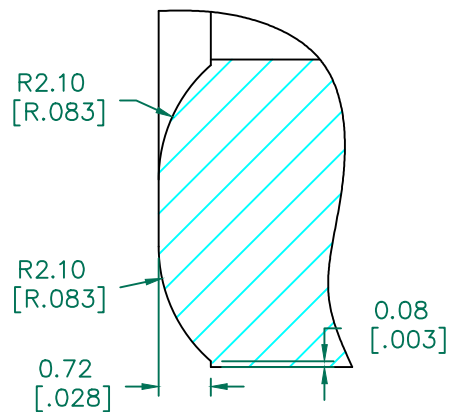
AGILENT E4991A RF Impedance/Material Analyzer  
HP 16092A Test Fixture REF# 2607

TEST CRITERIA

METER HP4396A OR EQUIVALENT  
FIXTURE HP16092A OR EQUIVALENT

NOTES:

- NET IMPEDANCE IS IMPEDANCE OF THE FERRITE CORE ONLY. ALL IMPEDANCE CONTRIBUTION FROM TEST WIRE AND FIXTURES HAS BEEN REMOVED.
- COSMETIC SPECIFICATION REFER TO WI-QA-038.



DETAIL "A"  
CHAMFER  
SCALE=10:1

FERRITE CORE DIMENSIONS (SPEC):

A	18.67 [0.735]	±	0.55 [0.022]
B	10.16 [0.400]	±	0.55 [0.022]
C	28.58 [1.125]	±	0.70 [0.028]

WEIGHT/1000 26.06 kgs [57.46 Lbs]

DIMENSIONS ARE IN mm [INCHES].				This print is the property of Laird Tech. and is loaned in confidence subject to return upon request and with the understanding that no copies shall be made without the written consent of Laird Tech. All rights to design or invention are reserved.		Laird	
E	UPDATE TOLERANCE AND DETAIL A	07/06/17	QIU	PROJECT/PART NUMBER:	LFB187102-000	REV	E
D	UPDATE COMPANY LOGO	07/13/08	TMB	PART TYPE:	FERRITE CORE	DRAWN BY:	TMB
C	REMOVE MIN SPEC @ 500 KHz	02/10/06	JRK	DATE:	09/27/02	SCALE:	2.5 : 1
B	ADJUST TOLERANCES ADD TEST REF #	12/27/04	JRK	MATERIAL:	LF	TOOL #	B0735
A	ORIGINAL DRAFT	09/27/02	TMB	CAD #	LFB187102-000-E		
REV	DESCRIPTION	DATE	INT				