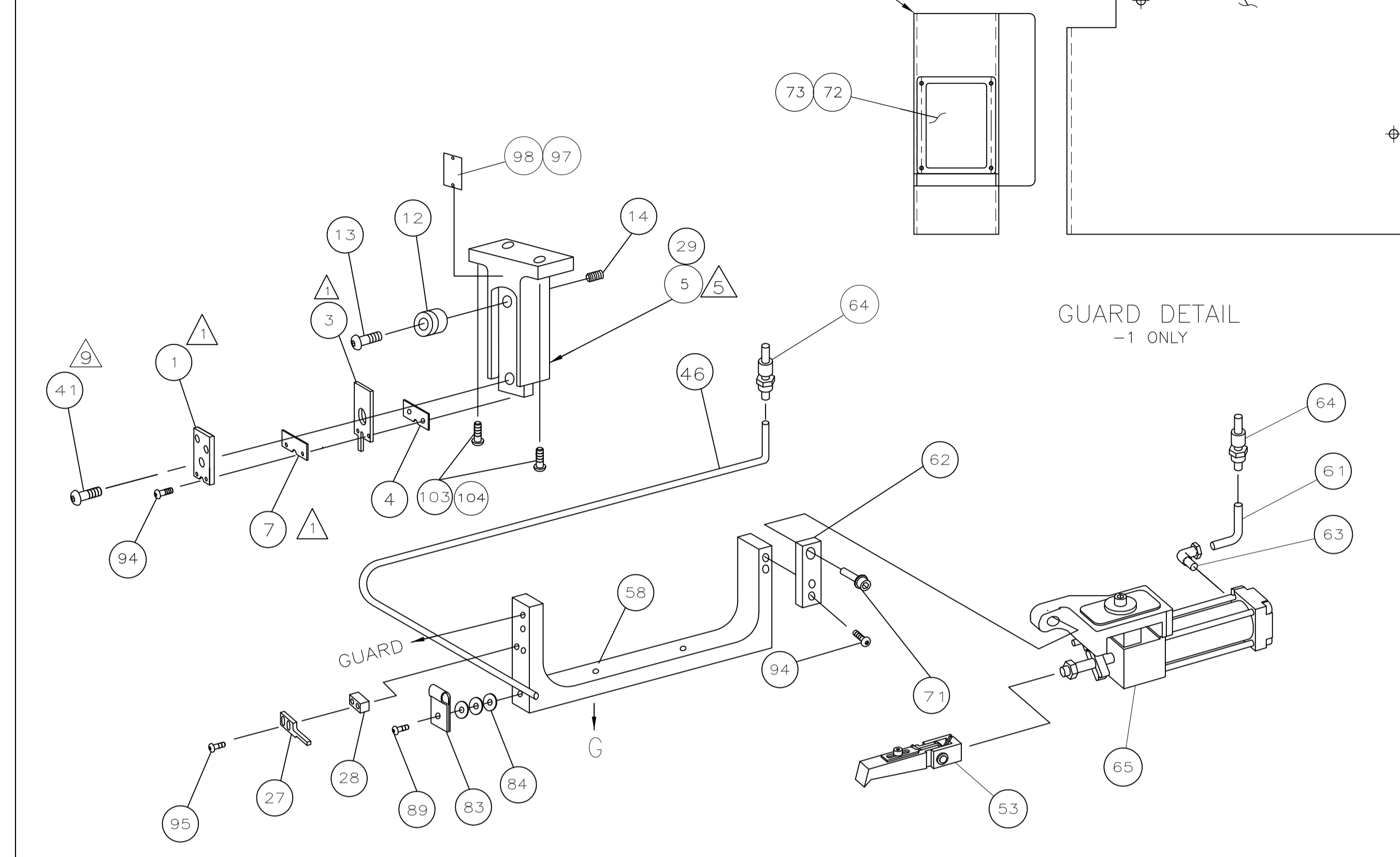


PART NUMBER	REV	FIRST USED	MACHINE REFERENCE	FEED TYPE
566395-1	A	356462-2	G-SPLICE TERM	AIR FEED
566395-2	B	2161300-1	5K CE THRU SPLICE	AIR FEED
7-566395-7	A	356462-2	SPARE PARTS KIT	-



GUARD DETAIL -1 ONLY

GUARD DETAIL -2 ONLY

TERMINAL NAME	AMPLIVAR	SPLICE
		62308

CRIMPING DATA			
PAD LTR	CRIMP HEIGHT	WIRE SIZE	
4	.089 ±.002 [2.26 ±0.05mm]	6200-7000 CMA	
4	.084 ±.002 [2.13 ±0.05mm]	5200-6000 CMA	
3	.079 ±.002 [2.00 ±0.05mm]	4000-5000 CMA	
3	.074 ±.002 [1.88 ±0.05mm]	3000-3800 CMA	
CRIMP	SIZE	TYPE	RANGE
WIRE	.140 [3.56mm]	F	3000-7000 CMA
INSUL	-	-	-
FEED	.345	APPL INST 408-8318 (-1) 408-127000 (-2)	SET UP GAGE - LAYOUT -
WIRE STRIP LENGTH	-		

-	-	-	-	-	-	129	
-	-	-	-	-	-	128	
-	-	-	-	-	-	127	
-	-	-	-	-	-	126	
-	-	-	-	-	-	125	
-	-	-	-	-	-	124	
-	-	-	-	-	-	123	
-	1	1	-	A	217238-1	GENERAL INSTRUCTION PACKAGE	122
-	1	-	-	A	408-127000	THRU SPLICE IS SHEET	121
-	-	1	-	A	408-8318	THRU SPLICE IS SHEET	120
-	-	-	-	-	-	-	119
-	-	-	-	-	-	-	118
-	-	-	-	-	-	-	117
-	-	-	-	-	-	-	116
-	2	2	-	A	22260-5	WASHER,FLAT(#6)RET PLATE	115
-	-	-	-	-	-	-	114
-	-	-	-	-	-	-	113
-	-	-	-	-	-	-	112
-	-	-	-	-	-	-	111
-	6	6	-	A	21024-4	WASHER,LOCK(NO.8)SHEAR BL	110
-	-	-	-	-	-	-	109
-	2	2	-	A	21018-4	NUT,HEX(4-40)DRAG	108
-	-	-	-	-	-	-	107
-	-	-	-	-	-	-	106
-	2	2	-	A	21022-2	NUT,HEX SL(8-32)DRAG STUD	105
-	2	-	-	A	3-18023-3	SCR, SHC (M6x50)	104
-	-	2	-	A	3-18023-1	SCR, SHC (M6x30)	103
-	2	2	-	A	4-21078-8	SKT SKT SET (4-40x.75)DRAG	102
-	-	-	-	-	-	-	101
-	2	2	-	A	21017-2	SCR,DRIVE(#2x.19)ID PLATE	100
-	1	1	-	B	690701-2	PLATE, IDENTIFICATION	99
-	1	1	-	B	819347-1	PLATE, IDENTIFICATION	98
-	AR	AR	-	A	25527-3	TAPE, POLYURETHANE FOAM	97
-	-	-	-	-	-	-	96
-	2	2	-	A	2-21000-9	SCR,SHC(8-32X.75)STRIPPER	95
-	2	2	-	A	2-21002-9	SCR, BHC (10-32X.75) EXT. FEED	94
-	2	2	-	A	2-22733-0	SCR,SHC(10-32X.38)ANVIL	93
-	4	4	-	A	3-21002-3	SCR,BHC(1/4-20x.50)ST OD PL	92
-	2	2	-	A	2-22733-8	SCR, BHC(1/4-20X.62) FEED BRKT	91
-	2	2	-	A	1-21002-6	SCR,BHC(6-32X.25)PLATE GUIDE	90
-	1	1	-	A	1-21002-8	SCR, BHC 6-32 X .50 LG.	89
-	-	3	-	A	21018-7	NUT, HEX (10-32) GAURD	88
-	1	1	-	A	2-21000-9	SCR,SHC(8-32X.75)STRIP GUIDE	87
-	1	1	-	A	2-21000-6	SCR,SHC(8-32x.38)STRIP GUIDE	86
-	4	4	-	A	2-21002-2	SCR,BHC(8-32X.50)STRIP GUIDE	85
-	2	2	-	A	21899-1	WASHER, FLAT #6	84
-	-	1	-	A	986220-3	CABLE, CLAMP	83
-	-	3	-	A	21899-2	WASHER, FLAT #10	82
-	-	1	-	D	1424336-1	GUARD,APPLICATOR FEED	81
-	-	3	-	A	2-21002-7	SCR,BHC10-32UNFX.50LG.	80
-	2	2	-	A	1-21000-9	SCR,SHC(6-32X.88)SH PL	79
-	-	2	-	A	2-21002-5	SCR, BHC (10-32X.25) GUARD	77
-	-	1	-	D	1338320-1	GUARD, END FEED	76
-	-	-	-	-	-	-	75
-	-	-	-	-	-	-	74
-	4	4	-	A	1-21000-0	SCR, SHC (2-56X.25) GUARD WINDOW	73
-	1	1	-	A	1338175-1	WINDOW, GUARD	72
-	1	1	-	A	3-21001-3	SCR, SHC (3/8-16X.75) FEED ASSY	71

QTY REQD PER ASSY	U/M	DWG SIZE	PART NO	DESCRIPTION	ITEM NO
-77	-2	-1	U/M	REVISION OF EACH ASSY NO (WHEN BLANK, USE DWG REVISION)	

QTY REQD PER ASSY	U/M	DWG SIZE	PART NO	DESCRIPTION	ITEM NO		
-	-	-	-	-	70		
-	-	-	-	-	69		
-	-	-	-	-	68		
-	-	-	-	-	67		
-	1	1	-	A	25854-1	MUFFLER, SPEED CONTROL	66
-	1	1	-	B	2-460277-2	AIR FEED ASSY	65
-	2	2	-	A	23238-1	QUICK DISCONNECT	64
-	1	1	-	A	980285-2	ELBOW, TUBING 1/8NPT - 1/4 TUBE	63
-	1	1	-	A	1338207-1	BRACKET, FEED, EXTENSION	62
IN	12.00	12.00	IN	A	27319-4	TUBING, POLY-FLO Ø.25	61
-	-	-	-	-	-	-	60
-	-	-	-	-	-	-	59
-	1	1	-	D	1338208-1	BRACKET, FEED	58
-	-	-	-	-	-	-	57
-	-	-	-	-	-	-	56
-	-	-	-	-	-	-	55
-	-	-	-	-	-	-	54
-	1	1	-	B	460680-9	FEED FINGER ASSY	53
-	-	-	-	-	-	-	52
-	-	-	-	-	-	-	51
-	-	-	-	-	-	-	50
-	-	-	-	-	-	-	49
-	-	-	-	-	-	-	48
-	-	-	-	-	-	-	47
FT	2	2	FT	A	27319-4	TUBING, NYLON .25 DIA	46
-	-	-	-	-	-	-	45
-	-	-	-	-	-	-	44
-	-	-	-	-	-	-	43
-	-	-	-	-	-	-	42
-	1	1	-	A	7-21002-9	BOLT, CRIMPER(5/16-24x1.00)	41
-	2	-	-	A	9-18023-6	SCR, SHC, M4 X 14	40
-	2	-	-	A	18024-6	SCR, BHC, M4 X 8	39
-	1	-	-	A	2168489-1	ACTUATOR, SPARE MCI	38
-	1	-	-	A	2161273-1	GUARD, END FEED INSERT	37
-	1	-	-	A1	2161272-1	GUARD, END FEED	36
-	-	-	-	-	-	-	35
-	-	-	-	-	-	-	34
-	-	-	-	-	-	-	33
-	-	-	-	-	-	-	32
-	-	-	-	-	-	-	31
-	2	2	-	A	18027-4	WASHER, FLAT M6	30
-	4	4	-	A	2-18023-9	SCR,SHC M6 X 20	29
-	1	1	-	B	1-690451-2	SPACER, STRIPPER	28
-	1	1	-	A	460276-1	STRIPPER	27
-	1	1	-	D	1338640-1	PLATE, BASE	26
-	2	2	-	A	22354-8	DRAG, STUD	25
-	1	1	-	B	462931-1	PLATE, STRIP GUIDE	24
-	1	1	-	C	462932-1	PLATE, STRIP HOLD DOWN	23
-	2	2	-	A	4-22281-1	SPRING, DRAG	22
-	-	-	-	-	-	-	21
-	1	1	-	A	462925-1	DRAG, STOCK	20
-	1	1	-	B	462929-1	GUIDE, STRIP (REAR)	19
-	1	1	-	C	462930-1	GUIDE, STRIP (FRONT)	18
-	-	-	-	-	-	-	17
-	-	-	-	-	-	-	16
-	-	-	-	-	-	-	15
-	1	1	-	A	27058-2	PLUNGER, SPRING, STUBBY	14
-	1	1	-	A	21004-9	SCR, SHLD .31 DIA X .50 LG.	13
-	1	1	-	C	1338124-1	WHEEL, ADJUSTING	12
-	1	1	-	B	459684-4	PLATE, REAR SHEAR	11
-	1	1	-	C	459580-1	SPACER, SHEAR PLATE	10
-	1	1	-	B	459583-4	PLATE, FRONT SHEAR	9
1	1	1	-	D	459582-8	ANVIL	8
-	1	1	-	B	459581-2	BLADE, SLUG	7
-	-	-	-	-	-	-	6
-	1	1	-	D	1338222-1	HOLDER, TOOL	5
-	1	1	-	B	1338221-1	PLATE, NUT	4
1	1	1	-	C	1338220-1	CRIMPER, GUIDE, MODIFIED	3
-	-	-	-	-	-	-	2
1	1	1	-	C	1338223-1	CRIMPER, WIRE, MODIFIED	1

QTY REQD PER ASSY	U/M	DWG SIZE	PART NO	DESCRIPTION	ITEM NO
-77	-2	-1	U/M	REVISION OF EACH ASSY NO (WHEN BLANK, USE DWG REVISION)	

- 1 RECOMMENDED SPARE PARTS.
- 2 GUARD MUST BE IN PLACE WHEN OPERATING APPLICATOR IN A BENCH MACHINE.
- 3 SEE DRAWING FOR COMPONENTS
- 4 RECOMMENDED SET UP WIRE FOR TERMINAL 280003. FOR APPLICATOR QUALIFICATION ONLY.
- 5 ITEM NOT SHOWN.
- 6 USE MANUAL PRECISION ADJUSTMENT LEVER ON G TERMINATOR TO ACHIEVE PROPER CRIMP HEIGHT.
- 7 SOLID WIRE ON BOTTOM
- 8 ITEM 81 IS ATTACHED TO THE G TERMINATOR GUARD DOOR WITH ITEM 80, 82, 83, 88.

CRIMPER BOLT MUST BE LOOSENED TO CHANGE CRIMP HEIGHT ADJUSTING WHEEL. BE SURE TO SEAT THE CRIMPER AGAINST THE ADJUSTING WHEEL AND REALIGN THE TOOLING.

WIRE COMBINATION DATA			
REF PAD LTR	REF CRIMP HEIGHT	MAG WIRE	STRANDED WIRE
4	.089	(1)16 & (1)14	
3	.074	(2)18	

REV	DATE	BY	APP	DESCRIPTION
A	11/3/99	S. LAWRUK		DR K. STAKEM
B	11/3/99	C.ERISMAN		CHK 11/3/99

TE Connectivity
Harrisburg, PA 17105-3608

EF PIGTAIL SPLICE W/TRIM

SCALE: 1 OF 1

566395

CUSTOMER AND ASSEMBLY DRAWING 1

THIS DRAWING IS A CONTROLLED DOCUMENT.

NOV 08 2001
RELEASED FOR PUBLICATION
BY AMP INCORPORATED. ALL RIGHTS RESERVED.
AMP 1756 REV 3-92
Copyright © 2001