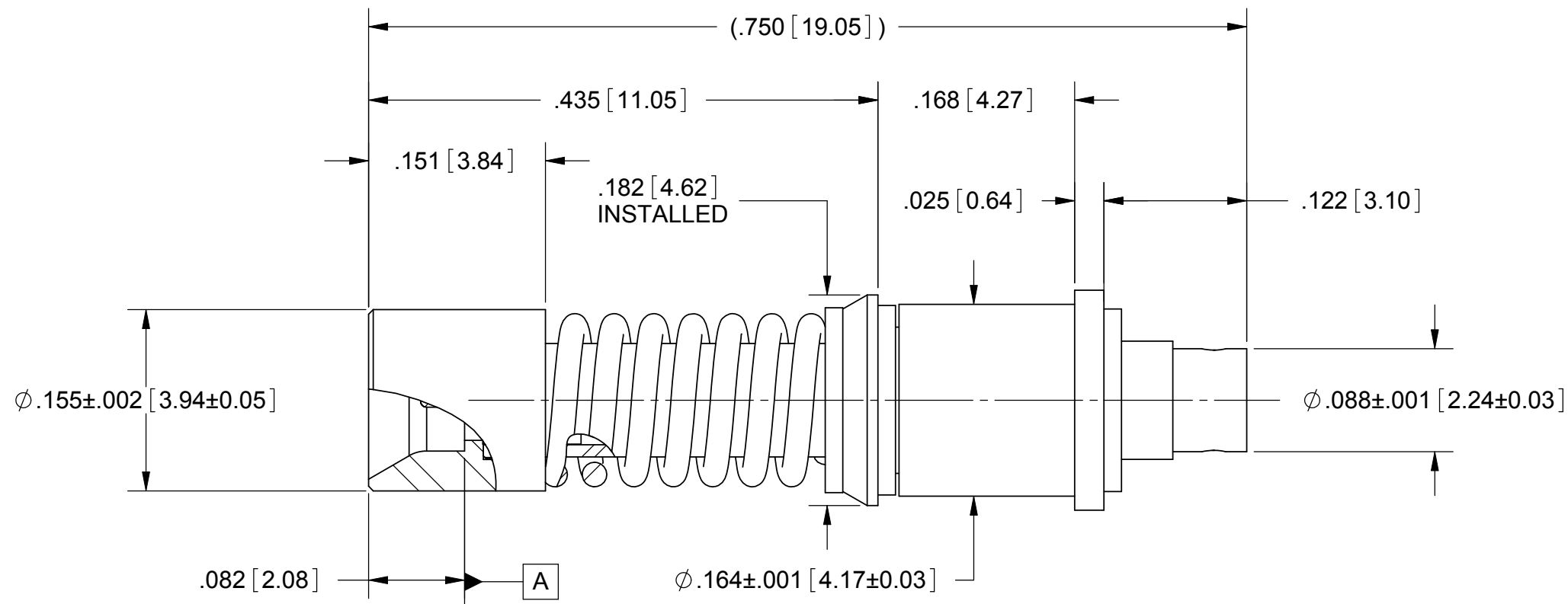
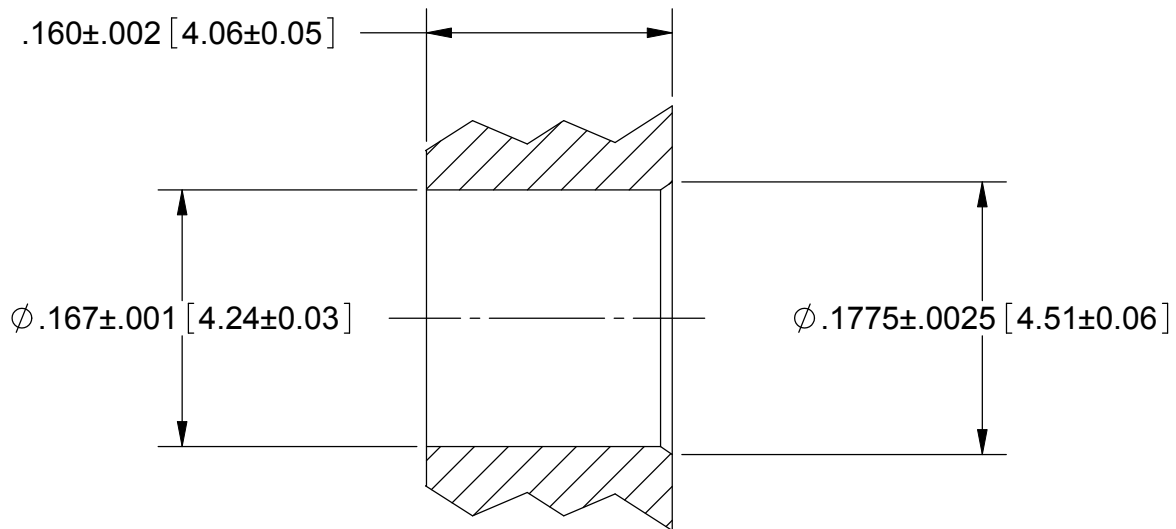


# PRODUCT DATA DRAWING

REVISION HISTORY			
REV	DESCRIPTION	DATE	APPROVED
-	REL. NRN 33610	02/15/06	STW
1	REVISED	07/13/06	



- MATERIAL:**
- BODY & INSERT:** STAINLESS STEEL PER AMS-5640, ALLOY UNS S30300, TYPE 1
- SPRING:** STAINLESS STEEL PER ASTM A313, TYPE 631 ALLOY UNS S17700
- CONTACT & RETAINING RING:** BERYLLIUM COPPER PER ASTM B196, ALLOY No. UNS C17300, TD04
- INSULATOR:** PTFE PER ASTM D1710, TYPE I, GRADE 1, CLASS B
- FINISH:**
- BODY, INSERT & SPRING:** PASSIVATED PER AMS-2700, TYPE 2
- CONTACT:** GOLD PER ASTM B488, TYPE II, CODE C, CLASS 1.27; OVER NICKEL PER AMS-QQ-N-290, CLASS 1, .00005" MIN.
- RETAINING RING:** NICKEL PER AMS-QQ-N-290, CLASS 1, GRASE G.



- PERFORMANCE:**
- IMPEDANCE:** 50 OHMS
- FREQ. RANGE:** DC TO 65.0 GHz
- DWV:** 325 VRMS
- OPERATING TEMP.:** -55°C TO +125°C
- ENGAGEMENT/DISENGAGEMENT:** 2.5 LBS MAX. ENGAGEMENT  
1.5 LBS MIN. DISENGAGEMENT

MATERIAL: SEE NOTES	DIMENSIONS ARE IN INCHES TOLERANCES: FRACTIONAL: $\pm 1/64$ ANGULAR: X° $\pm 1'0''$ X'X' $\pm 15'$	UNLESS OTHERWISE SPECIFIED	<b>SV Microwave, Inc.</b> 2400 Centrepark West Drive, Suite 100 West Palm Beach, FL 33409 TITLE: <b>SMPM MALE TO Ø.047 S/R CABLE CATCHERS MITT INTERFACE</b>
FINISH: SEE NOTES	DECIMAL: X $\pm .030$ .XX $\pm .010$ .XXX $\pm .005$	1) ALL DIMENSIONS ARE IN INCHES (MILLIMETERS) 2) ALL DIMENSIONS ARE AFTER PLATING. 3) BREAK CORNERS & EDGES .005 R. MAX. 4) CHAM. 1ST & LAST THREADS. 5) SURFACE ROUGHNESS 63-MIL-STD-10. 6) DIA.'S ON COMMON CENTERS TO BE CONCENTRIC WITHIN .005 T.I.R. 7) REMOVE ALL BURRS	
SURFACE AREA: N/A	INTERPRET DIMENSIONS AND TOLERANCES PER ASME Y14.5M - 1994	THIRD ANGLE PROJECTION	DRAWN: JMC 02/15/05 CHECKED: STW 02/15/06 APPROVED: STW 02/15/06
PROPRIETARY THE INFORMATION CONTAINED IN THIS DRAWING IS THE SOLE PROPERTY OF SV MICROWAVE, INC. ANY REPRODUCTION IN PART OR AS A WHOLE WITHOUT THE WRITTEN PERMISSION OF SV MICROWAVE, INC IS PROHIBITED.		DWG. NO. SF3202-6001 SCALE: 8:1	SHEET 1 OF 1