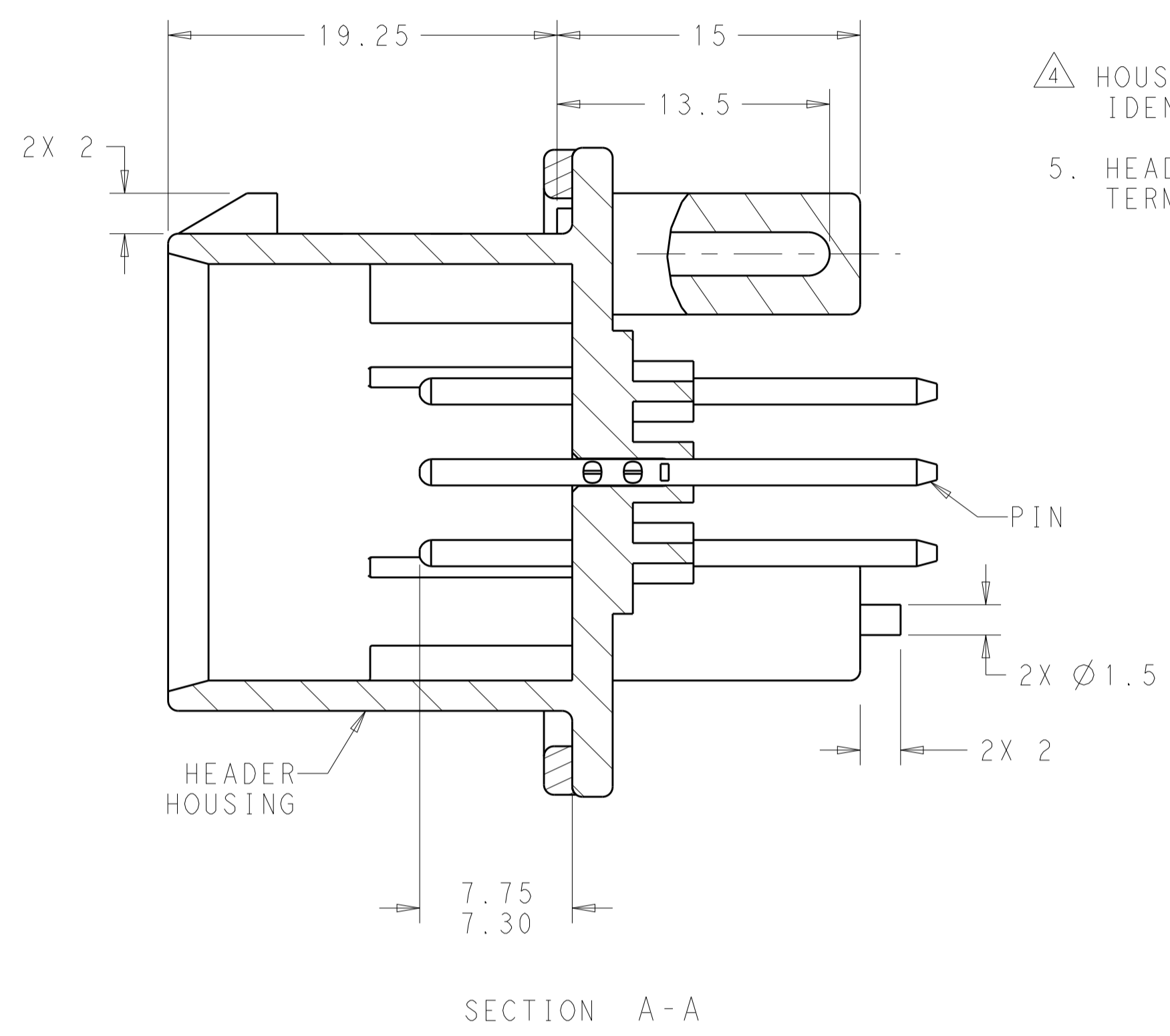
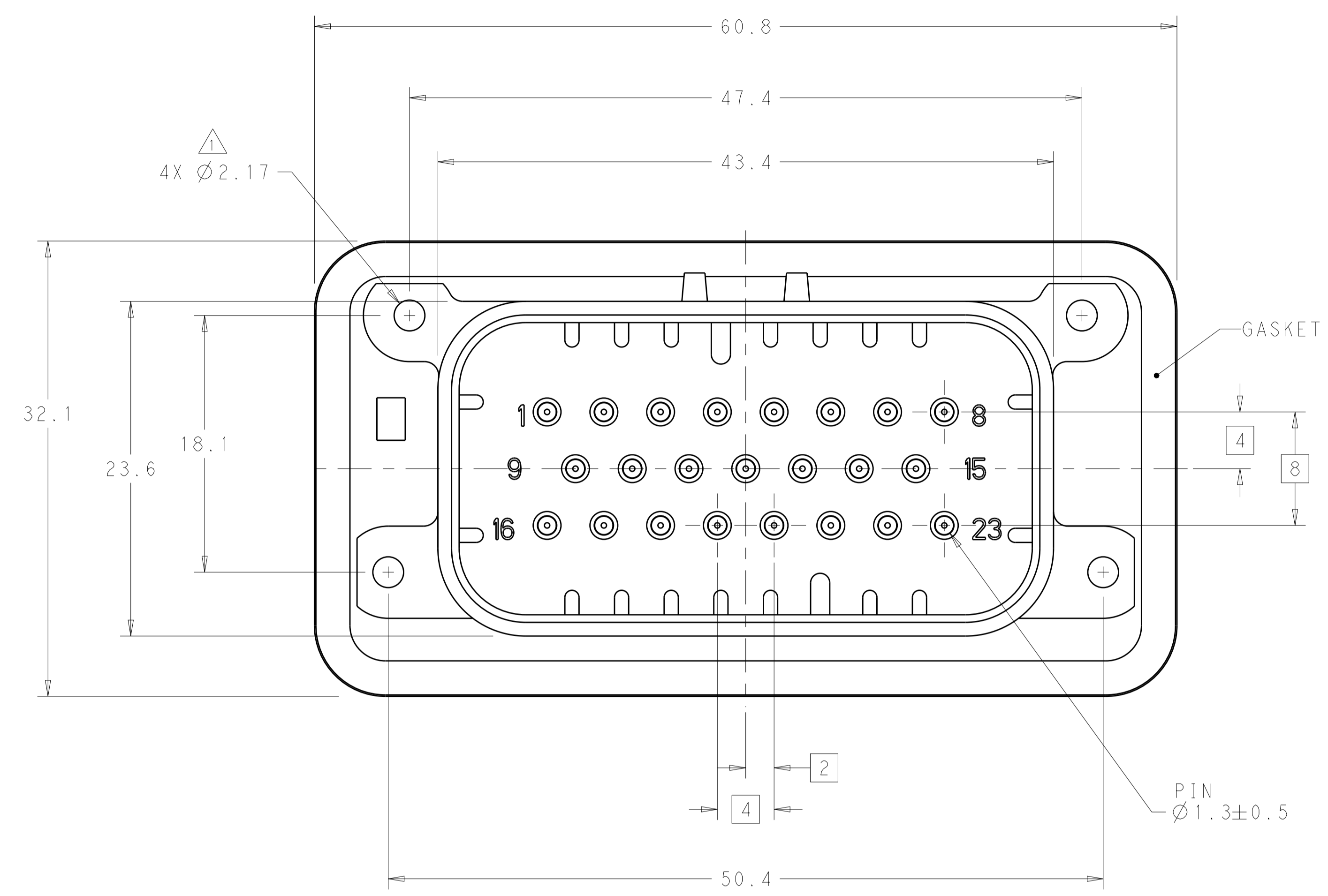
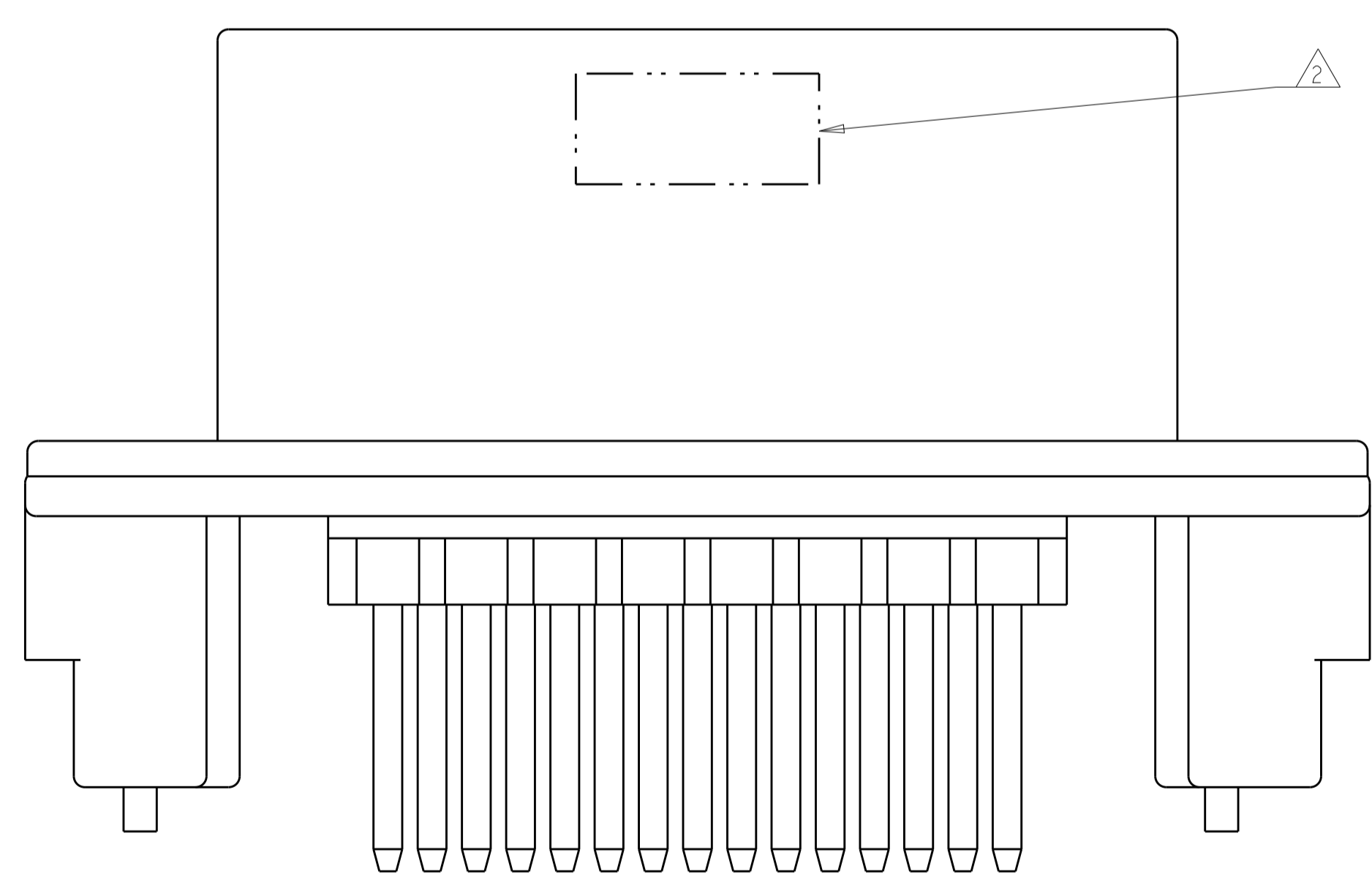


LOC	DIST	REVISIONS					
		P	LTH	DESCRIPTION	DATE	DWN	APVD
BV	00						
		C5		REVISED PER ECO-11-005030	11MAR2011	RK	HMR
		C6		REVISED PER ECO-12-009257	29MAY2012	DD	DS
		C7		REVISED PER ECO-12-016002	05SEP2012	DD	DS



- 1 ACCEPTS #4 SELF TAPPING THREAD FORMING SCREWS OR METRIC EQUIVALENT. DRIVE TO 0.6 N-m MAX
- 2 DATE CODE TO BE BRANDED IN THIS LOCATION PER TE SPEC 102-60. USE 5 DIGIT CODE: FIRST 2 DIGITS = YEAR, SECOND 2 DIGITS = WEEK, LAST DIGIT = DAY
- 3 MATERIALS: HEADER HOUSING - GLASS FILLED PBT
PINS - TIN OR GOLD PLATED BRASS
GASKET - SILICONE
- 4 HOUSING COLORS ARE MECHANICALLY KEYED TO MATE ONLY WITH IDENTICALLY COLORED PLUG ASSEMBLIES.
- 5. HEADER MATES TO PLUG ASSEMBLY 770680 WHICH USES REELED TERMINAL 770520 OR LOOSE PIECE TERMINAL 770854



776228-1 & 1-776228-1 SHOWN

BLUE	DURAGOLD	1-776228-5
GRAY	DURAGOLD	1-776228-4
NATURAL	DURAGOLD	1-776228-2
BLACK	DURAGOLD	1-776228-1
BLUE	TIN	776228-5
GRAY	TIN	776228-4
NATURAL	TIN	776228-2
BLACK	TIN	776228-1
HEADER COLOR	PLATING	PART NUMBER

THIS DRAWING IS A CONTROLLED DOCUMENT.

DWN: D. STRAUSSER 05MAR2010
 CHK: D. STRAUSSER 22MAR2010
 APVD: D. STRAUSSER 27APR2010

TE Connectivity

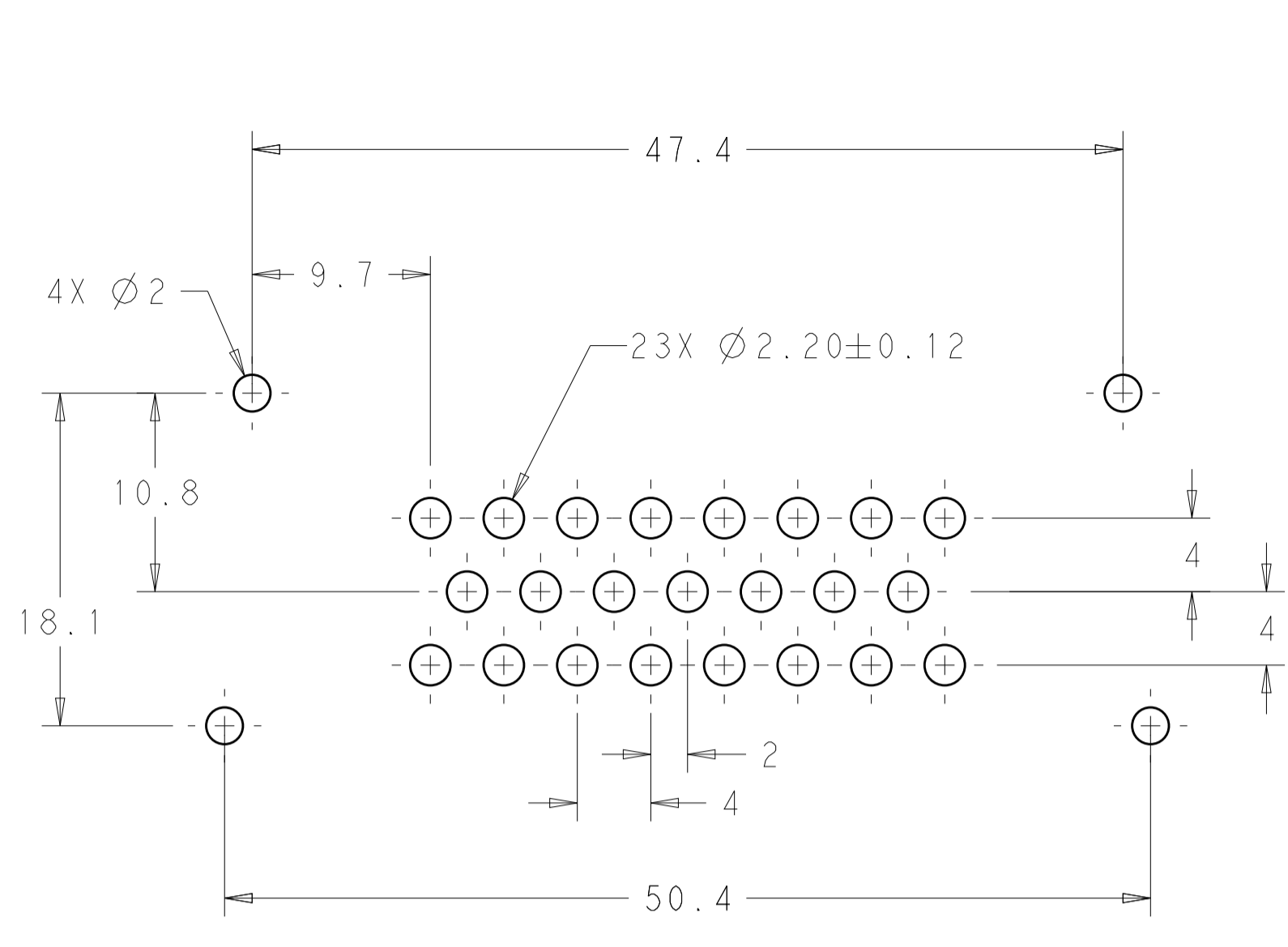
ASSEMBLY, HEADER, 23 POSITION, VERTICAL, AMPSEAL WITH FLANGE SEAL

108-1329
 114-16016

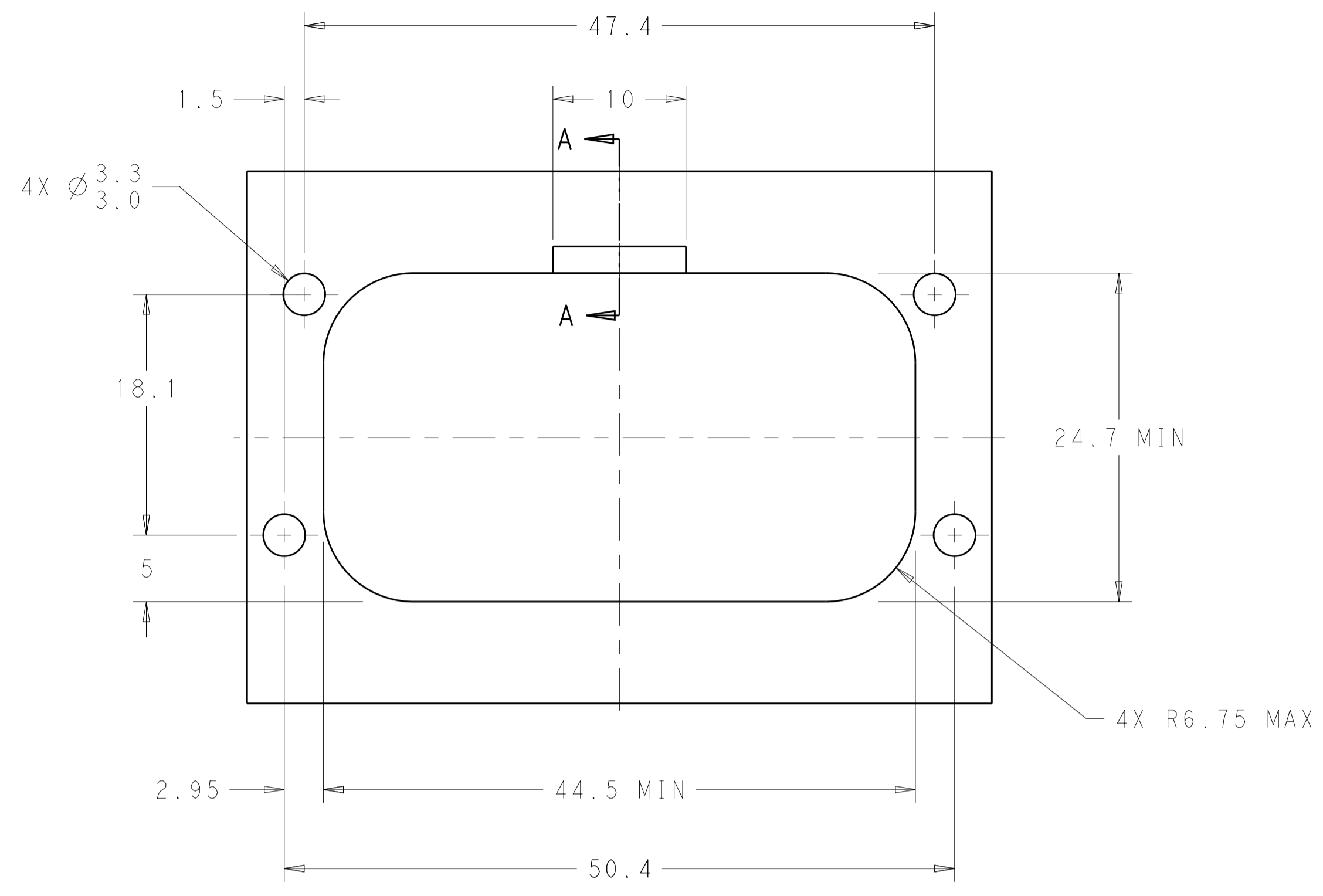
Customer Drawing

SCALE 4:1 SHEET 1 OF 2 REV C7

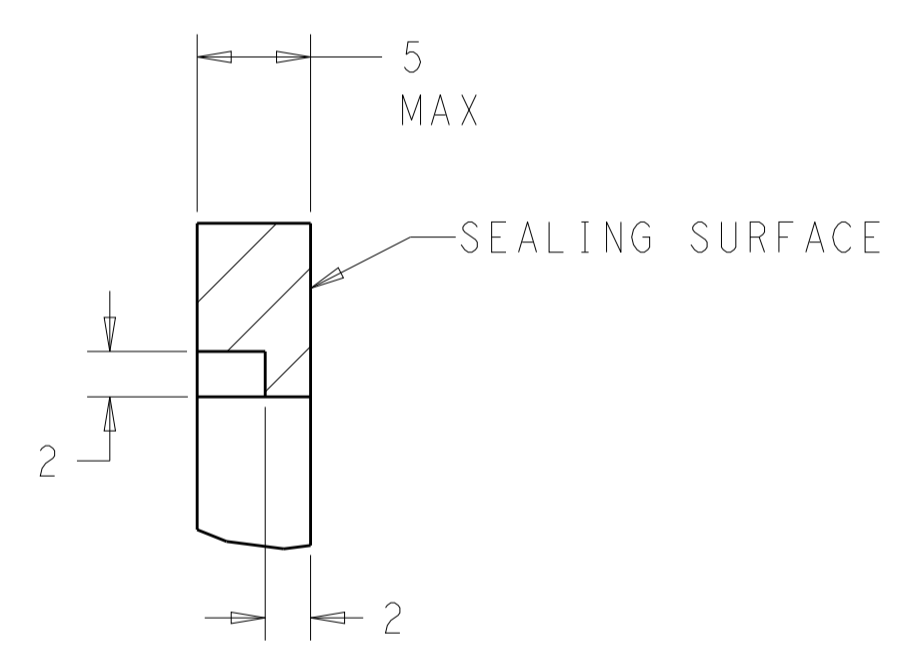
LOC	DIST	REVISIONS			
P	LTN	DESCRIPTION	DATE	DWN	APVD
-	-	SEE SHEET 1	-	-	-



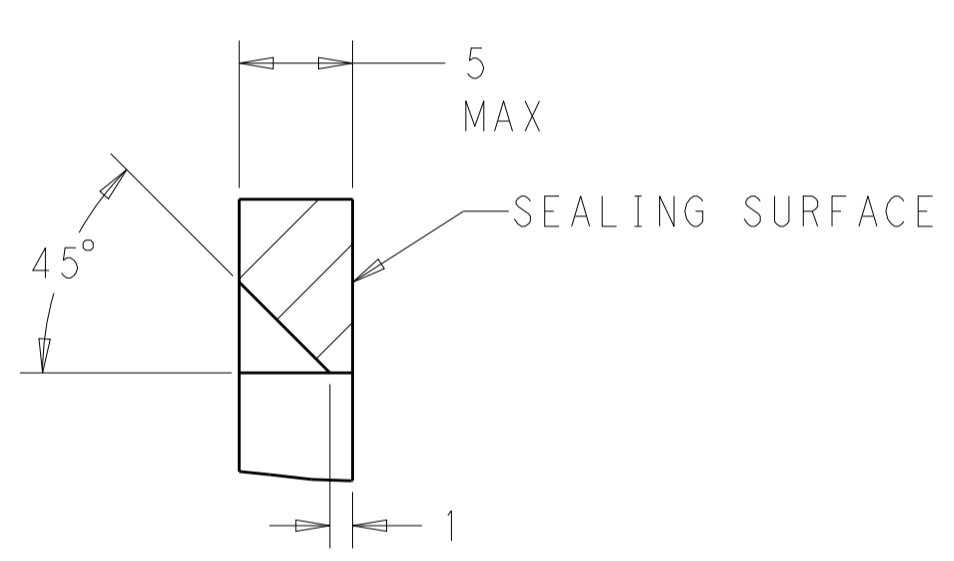
RECOMMENDED P.C. BOARD LAYOUT
 FOR 1.57 THICK P.C. BOARD



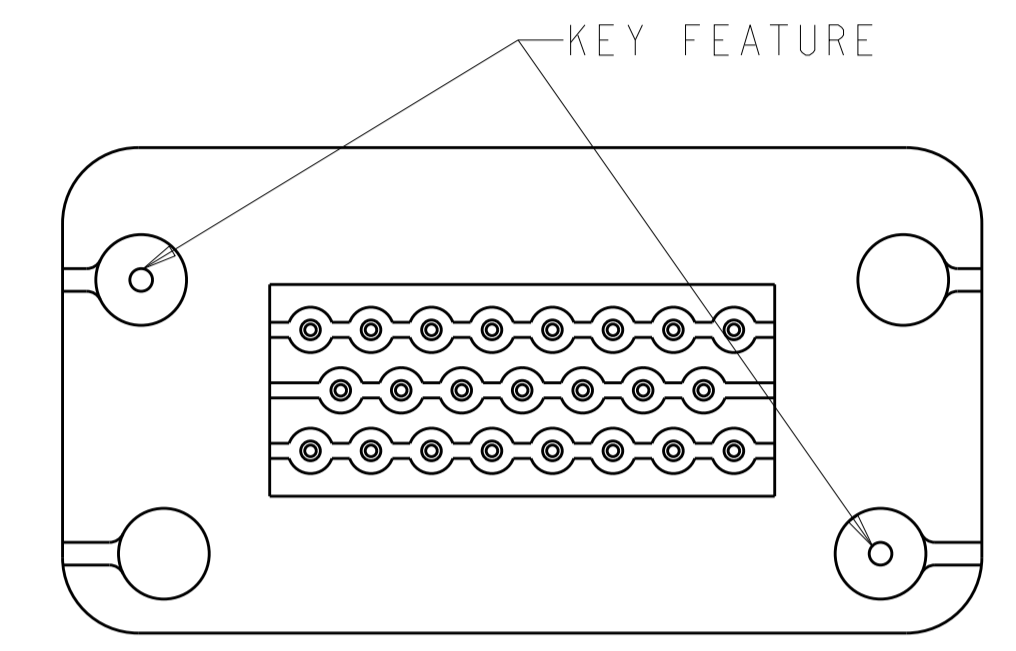
RECOMMENDED MOUNTING HOLE LAYOUT
 FOR 5.0 MAX THICK PANEL



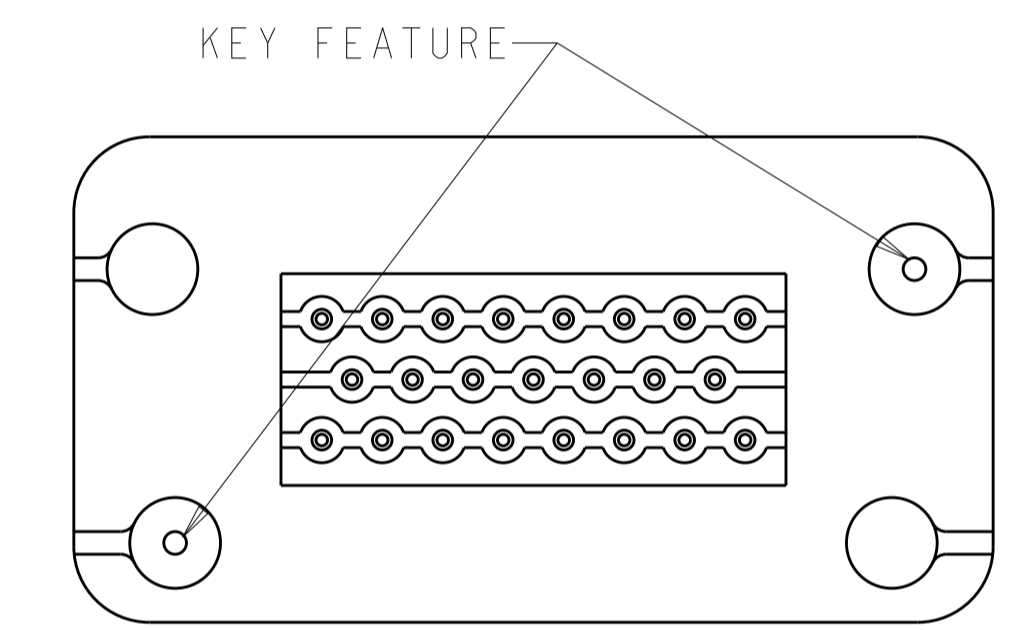
SECTION A-A
 OPTIONAL CONSTRUCTION IF PANEL
 THICKNESS IS GREATER THAN 2.0



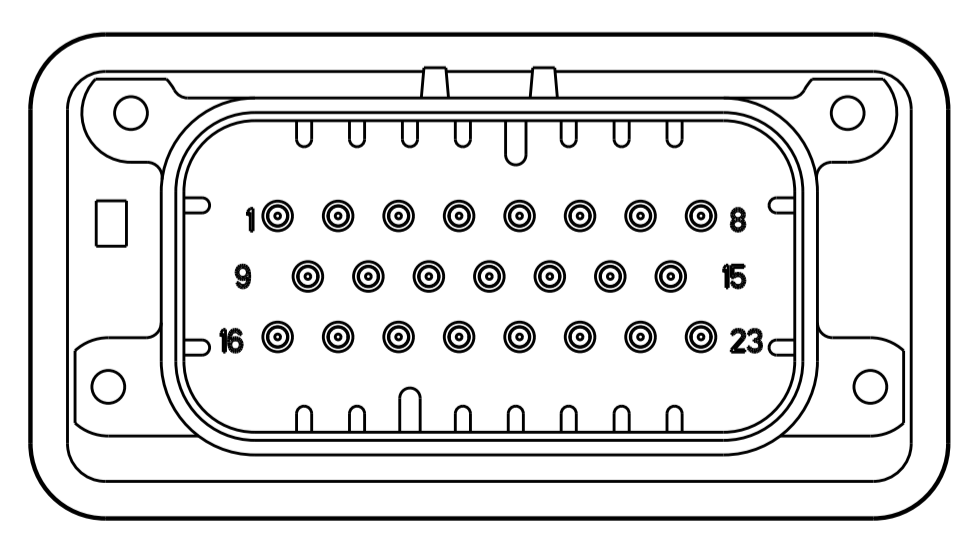
SECTION A-A
 OPTIONAL CONSTRUCTION IF PANEL
 THICKNESS IS GREATER THAN 2.0



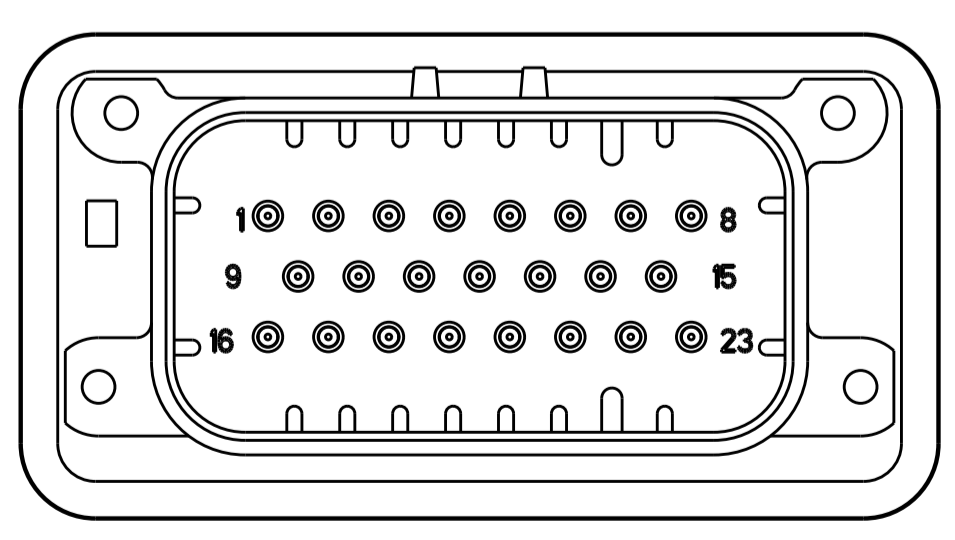
KEYING FOR 776228-1 AND 776228-5
 SCALE 2:1



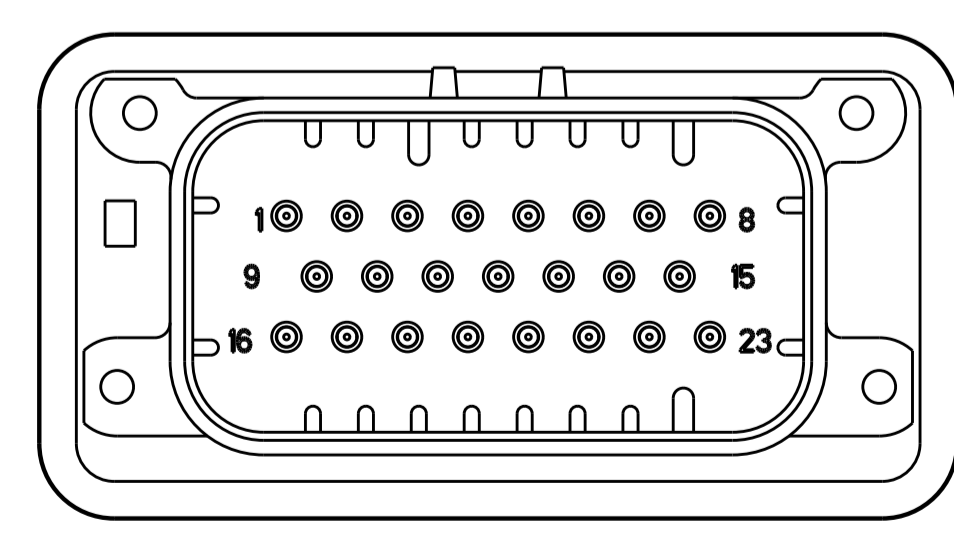
KEYING FOR 776228-2 AND 776228-4
 SCALE 2:1



776228-2 & 1-776228-2
 KEY LOCATION
 SCALE 2:1



776228-4 & 1-776228-4
 KEY LOCATION
 SCALE 2:1



776228-5 & 1-776228-5
 KEY LOCATION
 SCALE 2:1

THIS DRAWING IS A CONTROLLED DOCUMENT.		DWN: D. STRAUSSER 05MAR2010	TE Connectivity
DIMENSIONS: mm		CHK: D. STRAUSSER 22MAR2010	
TOLERANCES UNLESS OTHERWISE SPECIFIED:		APVD: D. STRAUSSER 27APR2010	NAME: ASSEMBLY, HEADER, 23 POSITION, VERTICAL, AMPSEAL WITH FLANGE SEAL
0 PLC ±0.2		PRODUCT SPEC: 108-1329	
1 PLC ±0.13		APPLICATION SPEC: 114-16016	SIZE: A1
2 PLC ±0.13		WEIGHT: -	CAGE CODE: -
3 PLC ±0.13		FINISH: -	DRAWING NO: 776228
4 PLC ±0.13		RESTRICTED TO: -	SCALE: 2:1
ANGLES ±4°		Customer Drawing	SHEET 2 OF 2
MATERIAL: -			REV: C7