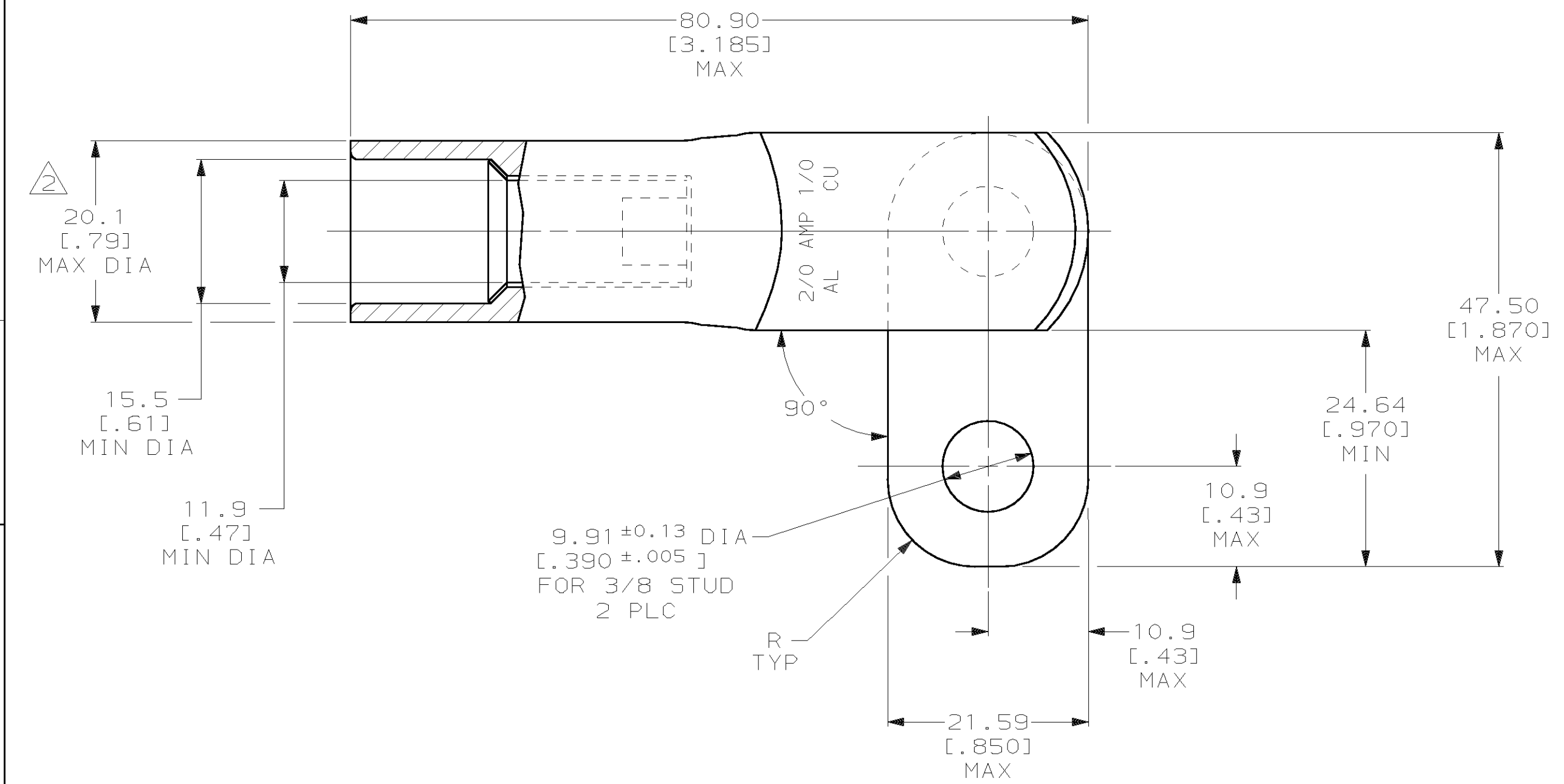
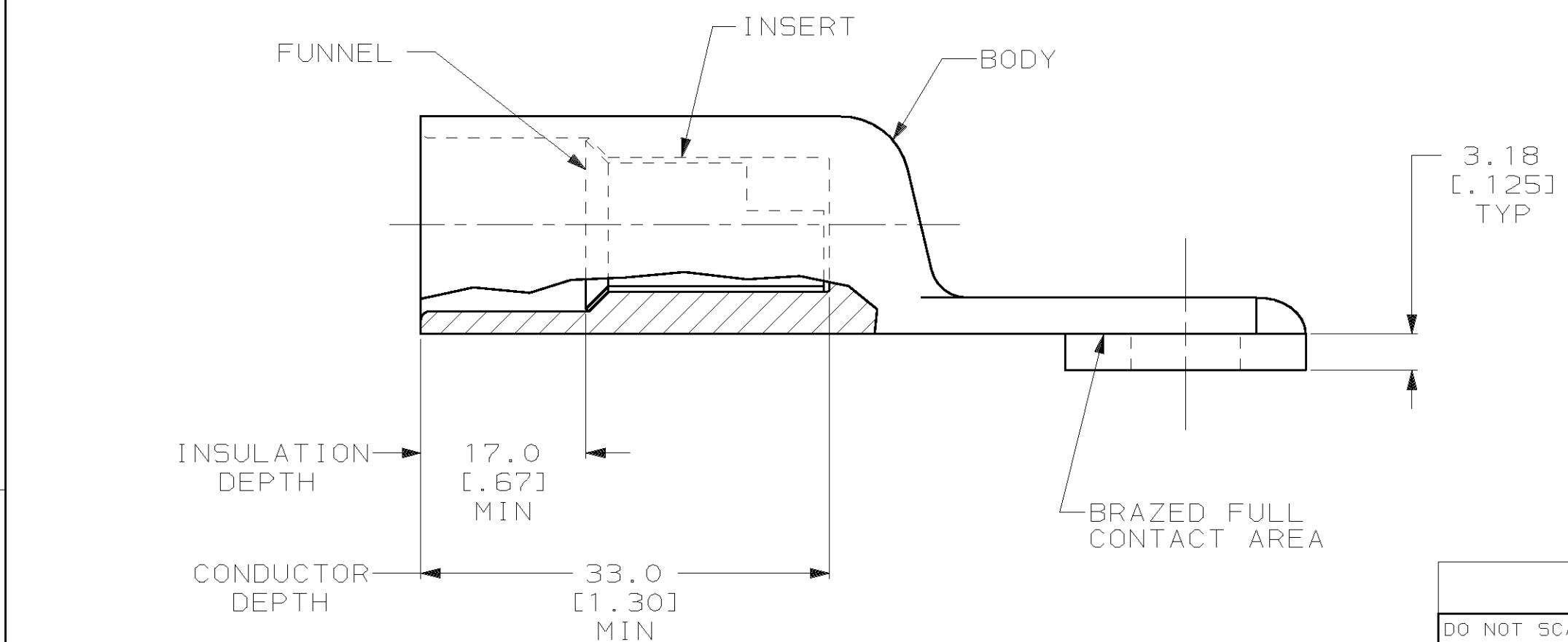


THIS DRAWING IS UNPUBLISHED. RELEASED FOR PUBLICATION
 © COPYRIGHT 19 BY AMP INCORPORATED. ALL INTERNATIONAL RIGHTS RESERVED.

LOC		DIST		P		F		ZONE		LTR		REVISIONS		DATE	APPD
G		86								C		REV PER 0G3A-0723-00		20DEC00	JR/CK



1 WIRE INSULATION: 12.70 [.500] - 13.97 [.550] DIA
 2 +0.51 [+ .020] FLASH PERMITTED



INSERT & FUNNEL: BRASS PER MIL-C-50 NICKEL PLATE 0.00762 [.000300] AVG THK PER QQ-N-290 BODY: COPPER PER ASTM B-187 ANNEALED TIN PLATE 0.00381 [.000150] MIN THK PER ASTM B-545	55982-1
MATERIAL & FINISH	PART NO

DO NOT SCALE PRINT. UNLESS SPECIFIED DIMENSIONS IN mm [INCHES] TOLERANCES ON: 2 PLC DEC ± 0.13 [.005] 3 PLC DEC ± - ANGLES ± 5°	DR 1/25/94 DK 5CHRUM	AMP Incorporated Harrisburg, PA 17105-3608	
	CHK 1/26/94 WJ VOCKROTH		
MATERIAL SEE TABLE	APPD 1/26/94 JL MECKLEY	NAME ASSY, RIGHT HAND FLAG, COPALUM™, SEALED, WIRE SIZE: 71.3mm ² [2/0] ALUMINUM 53.9mm ² [1/0] COPPER	
FINISH SEE TABLE	APPLICATION SPEC 114-2134	SIZE C 00779	DRAWING NO C-55982
	WEIGHT 109 GRAMS REF	SCALE 2:1	SHEET 1 OF 1

THIS DRAWING IS A CONTROLLED DOCUMENT FOR AMP INCORPORATED. IT IS SUBJECT TO CHANGE AND THE CONTROLLING ENGINEERING ORGANIZATION SHOULD BE CONTACTED FOR THE LATEST REVISION.