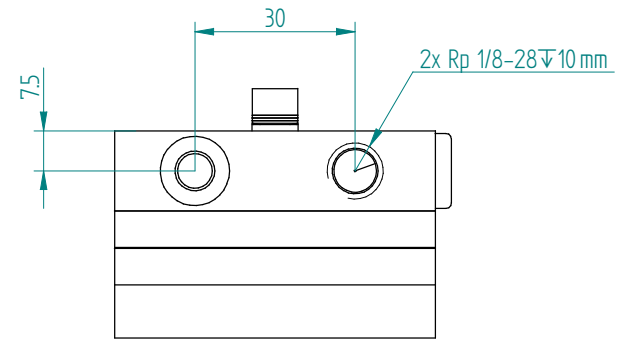


Specification: (Ta=32°C)	Code:	Description:
Heat transfer, cold side:	D	Direct
Heat transfer, warm side:	L	Liquid
Cascade:	-	-
Cooling power: [W]	210	Calculated 265 W at dT=0°C. Tolerance: ±10%
Voltage, nominal: [VDC]	24	24 VDC (28VDC Max)
TEM voltage: [VDC]		Nominal: 24 VDC
TEM current: [A]		Nominal: 9.2 A, Initial: 10.4 A at dT=0°C. Tolerance: ±10%.
Fans, cold side:	0	-
Fans, warm side:	0	-
Temperature controller, sensor:	0	-
Temperature control settings:	0	-
Trimable:		-
Accuracy & Hysteresis:		-
Temperature control position:	0	-
Options: Voltage protection:	0	-
Rapid Cooling / Economy:		-
Overheating thermostat:		75°C±5°C on hot side heat sink surface. 8A max. Not wired with the TEMs. Use it to control relay
Max. operating temperature:		62°C
TE-Module(s) temperature specification:		Max surface temperature: 80°C
Enclosed:		Turbulators fitted in liquid channels. 2x L-PNIPP-6-1/8.
Packing:		Individual cardboard box

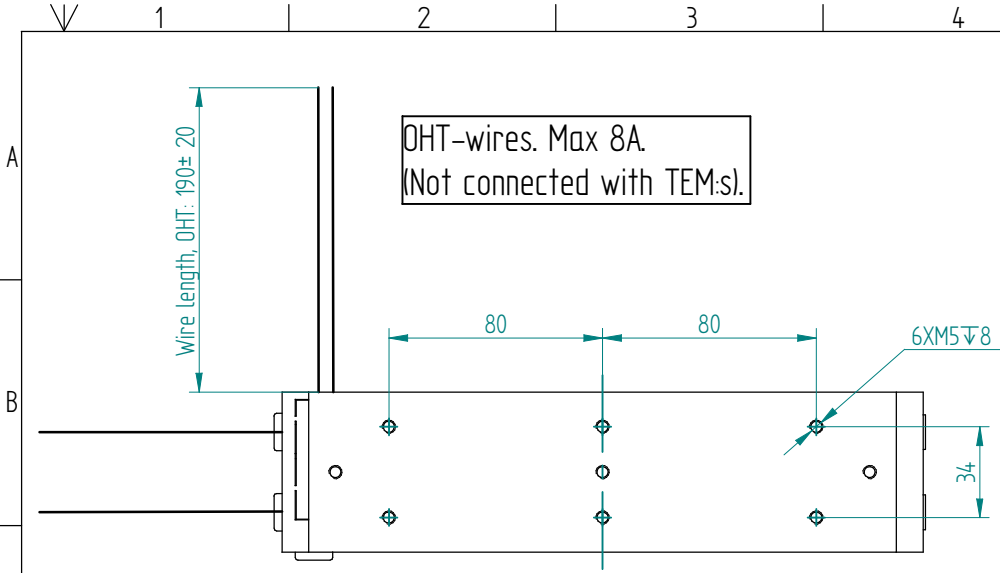


For overheating protection the cooler is equipped with a bimetal thermostat. The maximum rating for the thermostat is 8 A DC. For systems with 8 A or less the thermostat can be connected directly in series with the ThermoElectric Modules (TEM:S). Otherwise connect the TEM:S to the power source through a relay of suitable rating which state is controlled with the bimetal thermostat.

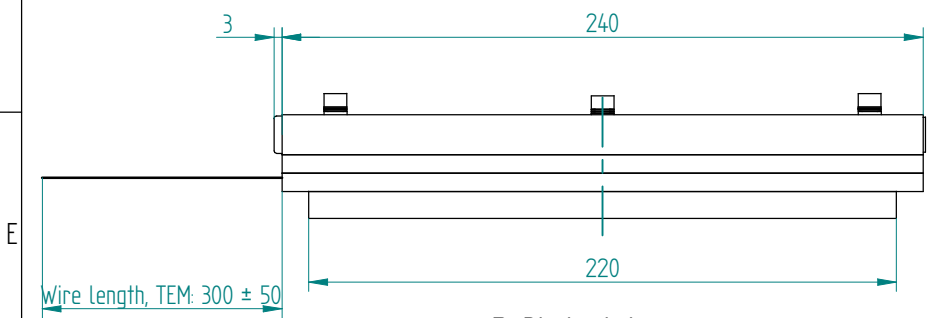
Note:  
Cooled liquid block needs to be isolated from air humidity to minimize risk for condensation and thermally insulated for best performance.

General tolerances: SS-ISO 2768-1 v	First angle projection: AS	Dimension units: Metric: [mm]
--	-------------------------------	----------------------------------

Comment / Deviations: Hipot tested at 750VDC.					
Designed by: M. Nyman	Checked by: C. Johansson	Approved by: C. Johansson	Release date: 2011-10-20	Project: Standard	Customer:
			Title: TE ASSEMBLY 24 VDC DIRECT- LIQUID		
Laird Technologies S-43153 Molndal, Sweden tfn +46 31 420530, fax +46 31 247909 e-mail: info@lairdtech.com Web: www.lairdtech.com			Part nr: DL-210-24-00-00-00	Rev. 06	Version: - Scale: 1:1 Size, sheet: A3, 1/4



Electrical connections:  
 Red: + TEM  
 Black: - TEM  
 AWG: 18

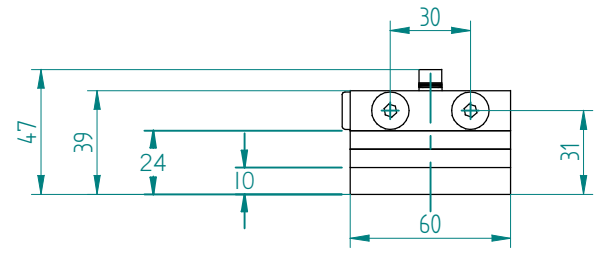
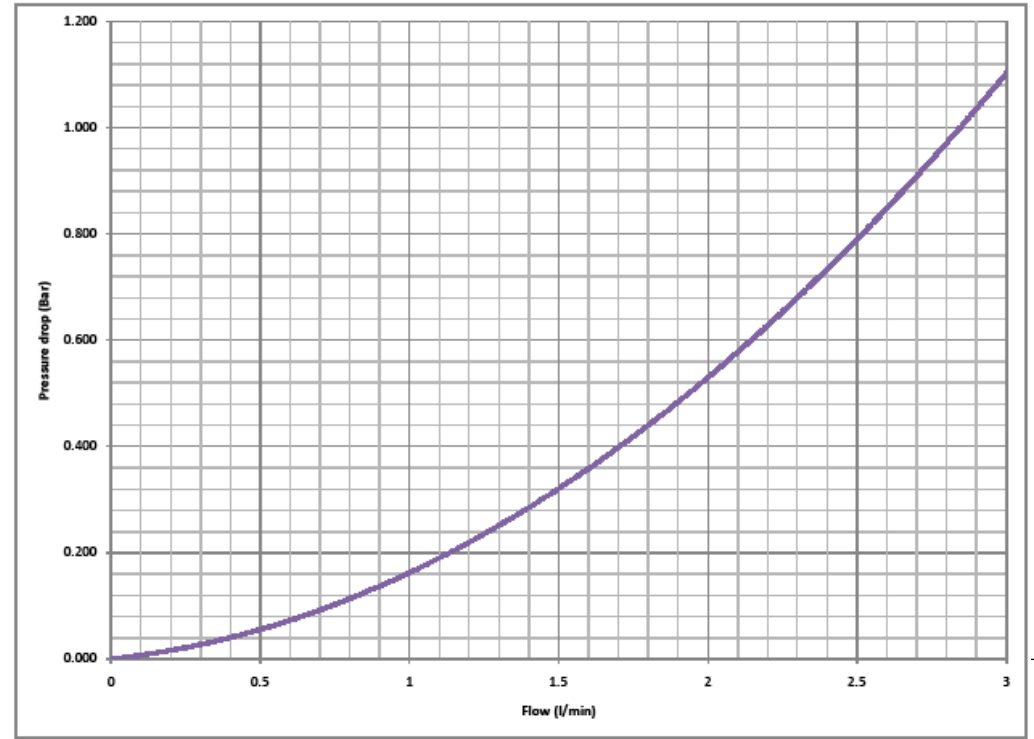


D-Plate tolerances:

Flatness:  $0.1/100$

Roughness:  $3.2$

Typical Pressure - Flow behavior of liquid block assembly.  
 (for more information contact Laird Technologies customer service)



General tolerances: SS-ISO 2768-1 v  
 First angle projection:  $\nabla$   
 Dimension units: Metric: [mm]

Comment / Deviations: Hipot tested at 750VDC.					
Designed by: M. Nyman	Checked by: C. Johansson	Approved by: C. Johansson	Release date: 2011-10-20	Project: Standard	Customer:
Laird Technologies S-43153 Molndal, Sweden tfn +46 31 420530, fax +46 31 247909 e-mail: info@lairdtech.com Web: www.lairdtech.com			Title: TE ASSEMBLY 24 VDC DIRECT- LIQUID		
Part nr: DL-210-24-00-00-00			Rev: 06	Version: -	Scale: Size, sheet 1:2 A3, 2(4)