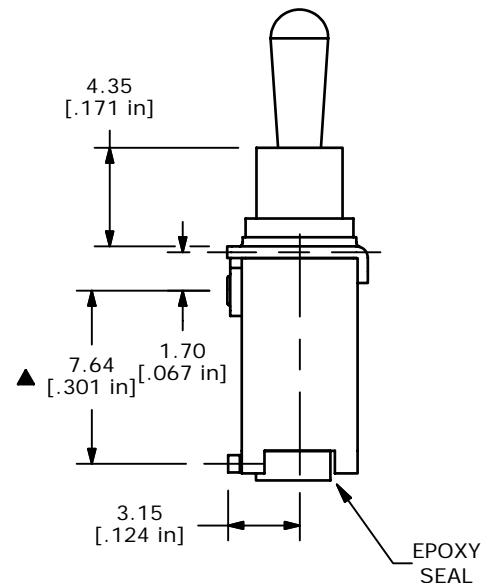
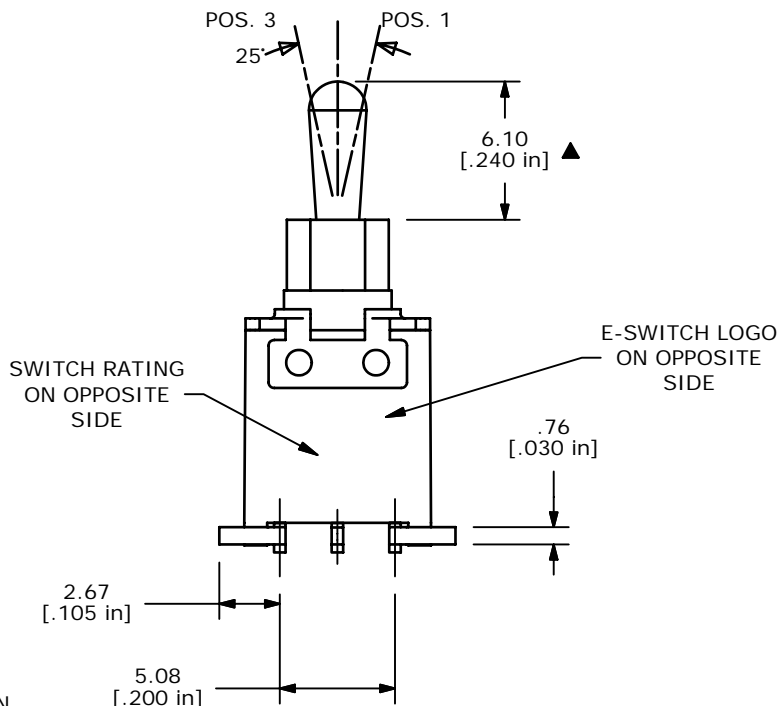


ISOMETRIC

SWITCH FUNCTION		
POS. 1	POS. 2	POS. 3
ON	OFF	ON
2-3	OPEN	2-1



NOTES:

1. ALL DIMENSIONS IN MM [INCH]
2. TERMINAL NUMBERS FOR REF. ONLY
3. GENERAL TOLERANCE: X.X=±0.4
X.XX=±0.25
4. PLATING MATERIAL: GOLD
5. RATING: 0.4VA MAX. @ 20V (AC or DC)
6. MECHANICAL LIFE: 30,000 MAKE AND BREAK CYCLES AT FULL LOAD
7. INSULATION RESISTANCE: 1,000 MEGA-OHM MIN.
8. DIELECTRIC STRENGTH: 1,000 V RMS@SEA LEVEL
9. OPERATING TEMPERATURE: -30°C TO 85°C
10. PACKAGING: 500 PER REEL.
11. ▲DENOTES CRITICAL PARAMETER.
12. 2002/95/EC (ROHS) COMPLIANT



TITLE 200BWMSP3T2A1SM6RE

A	18452	RELEASE FOR PRODUCTION	3/24/09	BLR
REV	PCR NO	DESCRIPTION	DATE	BY

SCALE	DATE	DR	DWG	REV
3:1	3/24/2009	BLR	T833043	A

THE INFORMATION CONTAINED IN THIS DOCUMENT IS PROPRIETARY TO E-SWITCH AND IS NOT TO BE COPIED OR TRANSFERRED