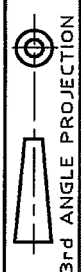


NUMBER 177662

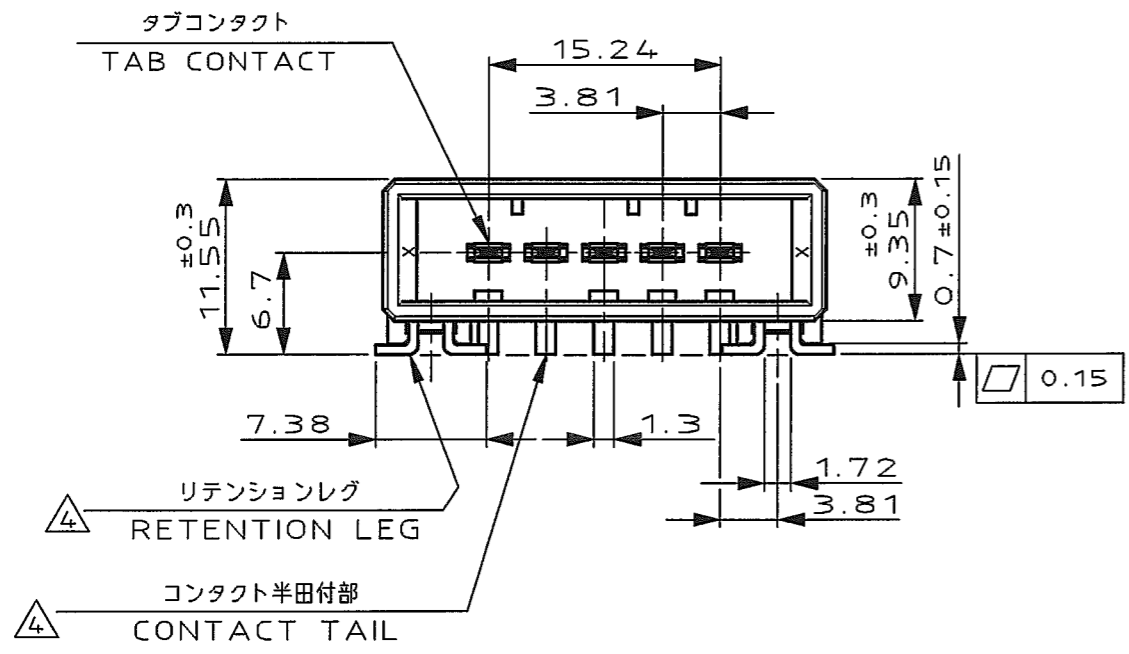
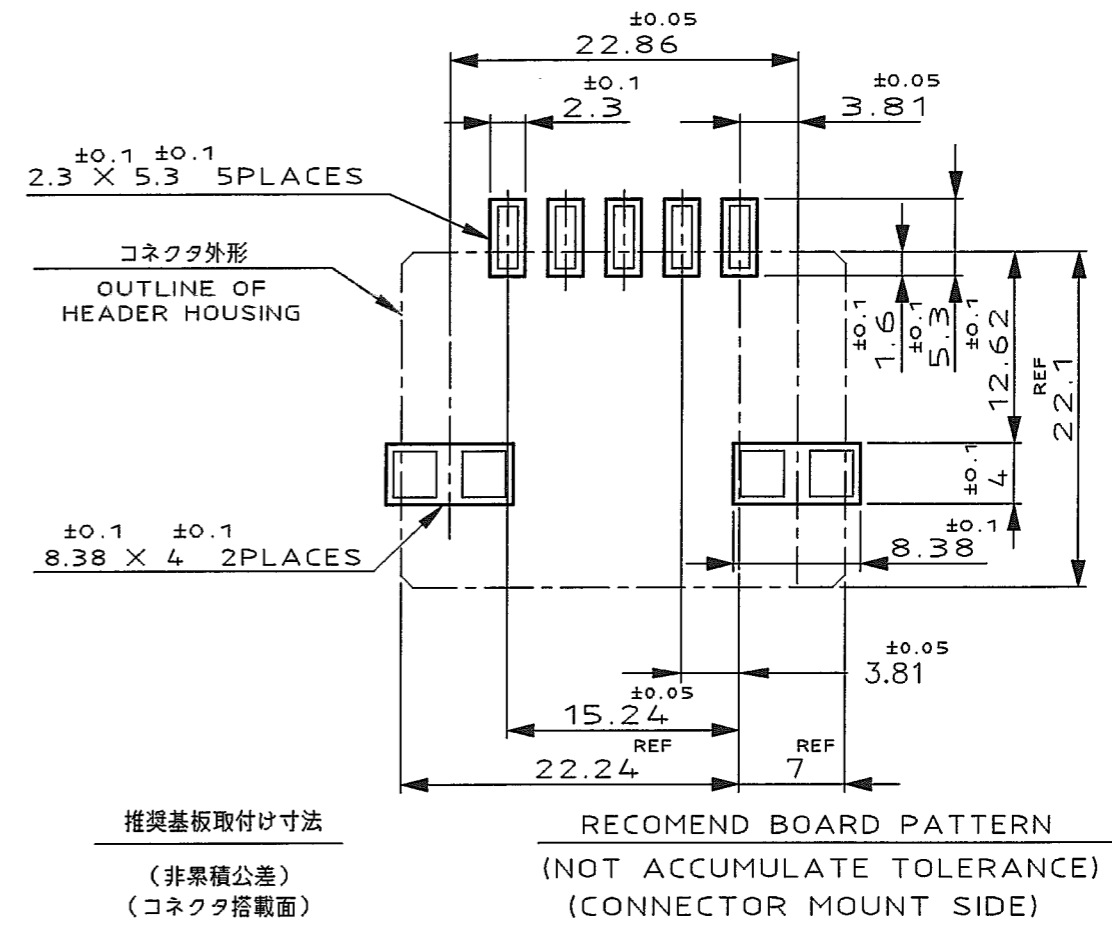
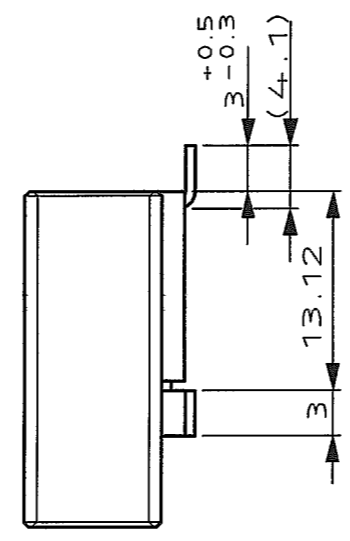
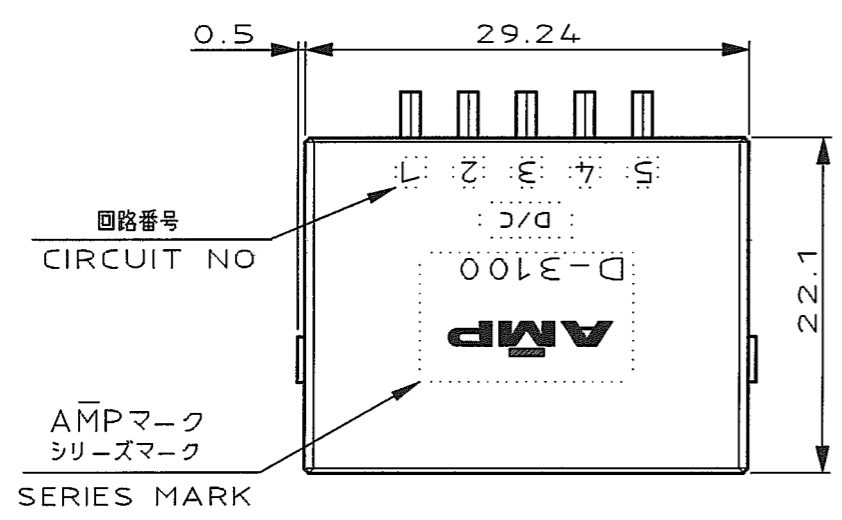


METRIC

PROJ NO.392-610

DIMENSIONS IN MILLIMETERS. DO NOT SCALE PRINT

PRINT DIST



NOTES

- 1. MATERIAL:HOUSING:GLASS FILED THERMO PLASTIC,UL94V-0  
CONTACT:COPPER ALLOY  
RETENTION LEG:COPPER ALLOY
- ② FINISH(CONTACT AREA):0.38μmMIN GOLD PLATING OVER Ni PLATING
- ③ FINISH(CONTACT AREA):0.76μmMIN GOLD PLATING OVER Ni PLATING
- ④ FINISH(RETENTION LEG): TIN PLATED (SOLDER TYING) OVER NICKEL

注記

- 1. 材料:ハウジング: ガラス入り熱可塑性樹脂,UL94V-0  
コンタクト: 銅合金  
リテンションレグ: 銅合金
- ② めっき: コンタクト接触部: ニッケル下地の上に金めっき0.38μmMIN
- ③ めっき: コンタクト接触部: ニッケル下地の上に金めっき0.76μmMIN
- ④ めっき: リテンションレグとコンタクト半田付部: ニッケル下地の上にスズめっき

④	③	1-177662-3
④	②	1-177662-2
(FINISH)		製品番号 (PART NO.)

A	REVISED(FJD0-0039-03)	TS	SM	9/30
0	RELEASED (FJ00-0284-93)	NM	SM	9/30
LTR	REVISION RECORD	DR	CHK	DATE

Copyright © 1993 AMP(Japan) LTD. ALL RIGHTS RESERVED.

**tyco Electronics** Tyco Electronics AMP K.K. Kawasaki, Japan

WIRE RANGE	INSULATION DIA	NAME
mm(AWG - )	mmφ	5 POS SINGLE ROW SMT TYPE HORIZONTAL HDR ASS'Y FOR DYNAMIC 3100
MATERIAL SEE NOTE 注記参照	FINISH SEE NOTE 注記参照	一般公差 (GENERAL TOLERANCE)
DR. N. Matsubara 20 SEP 93	DE. N. Matsubara 20 SEP 93	10mm 30mm : ±0.2
CHK. S. MANABE 30 SEP 93	APP. S. MANABE 30 SEP 93	10mm 100mm : ±0.3
		30mm 100mm : ±0.4
		角座 : ±3'
		SIZE A3
		LOC J
		NUMBER C-177662
		SCALE 2-1
		REV. A
		SHEET 1 OF 1