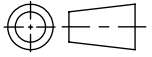
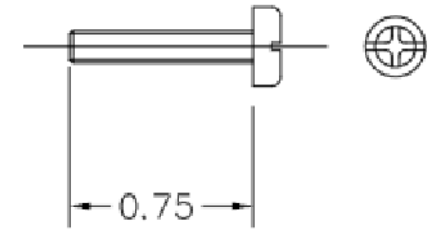
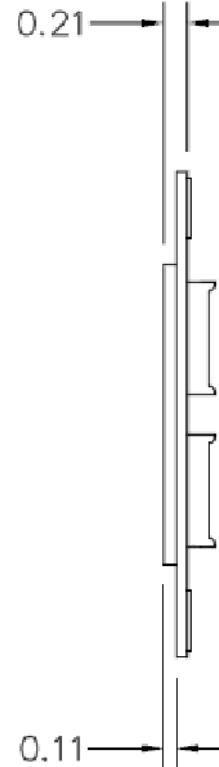
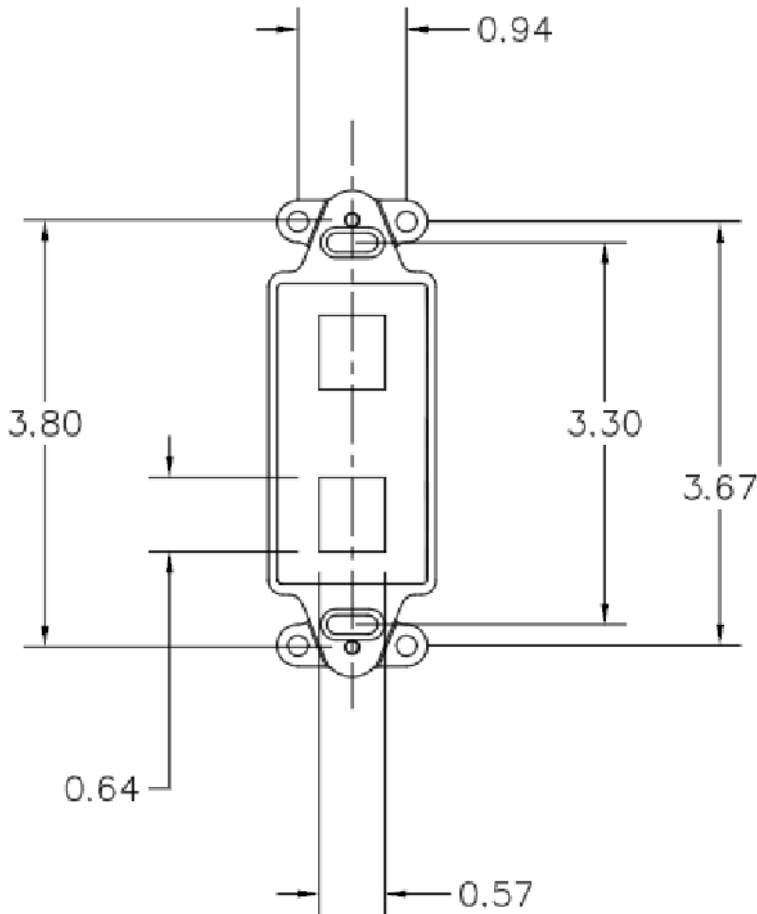


SW2014



Revision level			Revision Record	Changed	Date	Approved	Date
Drawing	State	Part					
.			SEE ECN# 013156	SNH	6/12/2015	KAC	6/12/2015



SCREW, MOUNTING

NOTES:  
1. XXX INDICATES COLOR

Material  
ABS 94V-0

Units: **millimeters**  
Dimension without tolerances details to:  
.xxx = ±.013  
.xx = ±.13  
.x = ±.3  
None = ±.8  
∠ = ±0.5°  
Dimension Formatted mm/[in]

The copyright of this drawing is reserved by HellermannTyton. It is issued on condition that it is not reproduced, copied, or disclosed to a third party, either wholly or in part, without the consent of HellermannTyton.

Drawn	SNH	6/12/2105
Approved	KAC	6/12/2015

**HellermannTyton**  
North America  
Email: corp@htamericas.com  
Web: www.hellermann.tyton.com

Article/Type-No FPRMF2  
Title **RECTANGULAR DECORATOR 2 PORT MOUNTING FRAME**  
Drawing-No : Phase  
**15-0376-001-CSU**

Scale 1:1  
Project Number PRP 15-0376  
Format AH  
Sheet 1/1