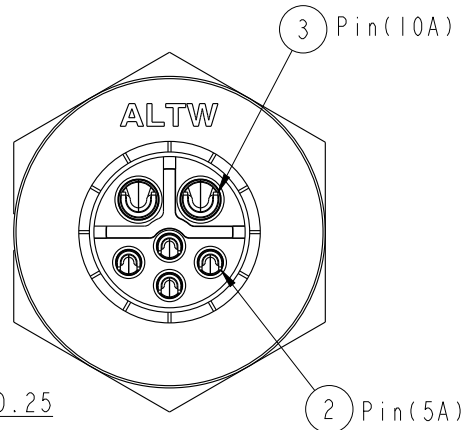
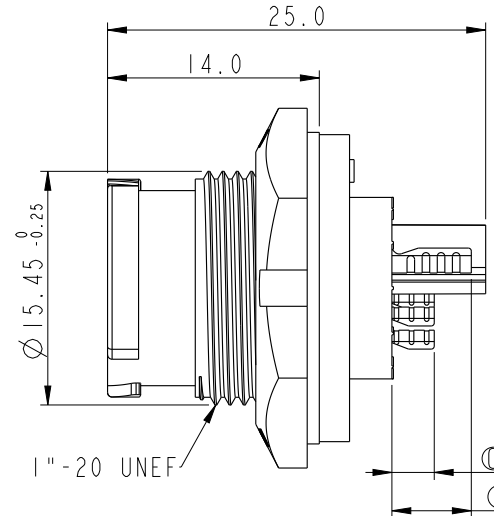
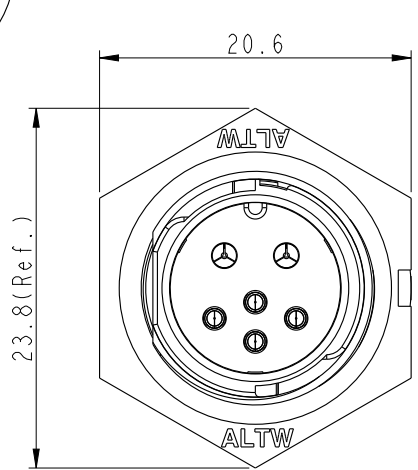


THIS DOCUMENT IS SUBJECT TO CHANGE WITHOUT NOTICE. IT IS CONFIDENTIAL AND A PROPERTY OF AMPHENOL LTW. DISCLOSURE TO THIRD PARTY HAS TO BE AUTHORIZED BY AMPHENOL LTW.

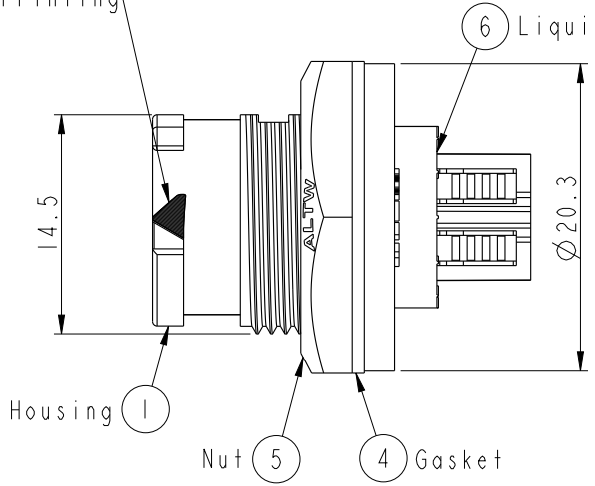
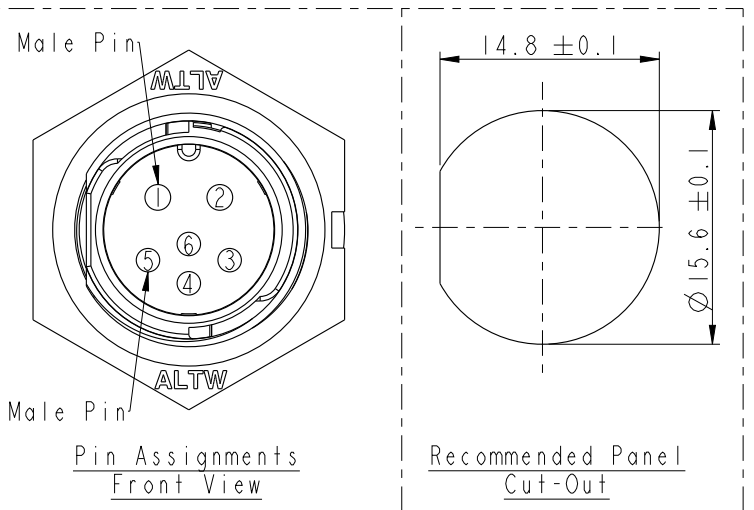
| REV. | ECN NO. | DATE | SIGN | DESCRIPTION |
|------|-----------------|------------|--------|------------------------|
| A | Initial Release | 2016-05-07 | Spring | Change Rev.01 To Rev.A |
| | | | | |

ALTW
CONFIDENTIAL
2016-05-07
R&D DEPT.

ALTW
DCC. DEPT.
CONFIDENTIAL
2016.05.18
ISSUED



☉ White Printing



- Note:
- * ☉ Important Dimension To Check.
 - * Waterproof Rate: IP68(Unmated)
In 1 meter water within 24 hours
 - * Working Voltage Rating:
Power: AC/DC 300V
Data: DC 30V
 - * Working Current:
Power: 10A
Data: 05A
 - * Housing: Nylon+GF, Black.
 - * Pin: Copper Alloy, Gold Plated.
 - * Nut: Nylon+GF, Black.
 - * Gasket: Silicone, Gray.
 - * Use without waterproof cap
Panel Thickness Max: 3.6mm
 - * Use with waterproof cap
Panel Thickness Max: 2.6mm

| | | |
|-----------|-------|--|
| UNIT: mm | | |
| TOLERANCE | | |
| .X | ±0.25 | |
| .XX | ±0.1 | |
| .XXX | ±0.05 | |
| ANGLES | ±1° | |

| | | | |
|--|----------------|--------------------|--|
| TITLE STANDARD, RECEPTACLE (FRONT) X-LOK (2+4)PIN M CONN M PIN | | | |
| SCALE 2:1 | SIZE A4 | SHEET 1 OF 1 | |
| REV. A | WC-REV. A.6 | ☉: Inspection item | |

Amphenol LTW
安費諾亮泰企業股份有限公司

| | | |
|-------------------------------|----------------------|--------------------|
| ITEM NO. BBD-06PMMS-QC8001 | DRAWN BY Spring | DATE 2016-05-07 |
| DWG NO. BBD-06PMMS-QC8001 | CHECKED BY Fisher | DATE 2016-05-07 |
| CUSTOMER ALTW | APPROVED BY Kevin | DATE 2016-05-07 |