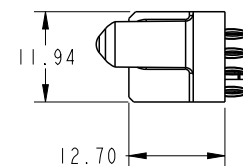
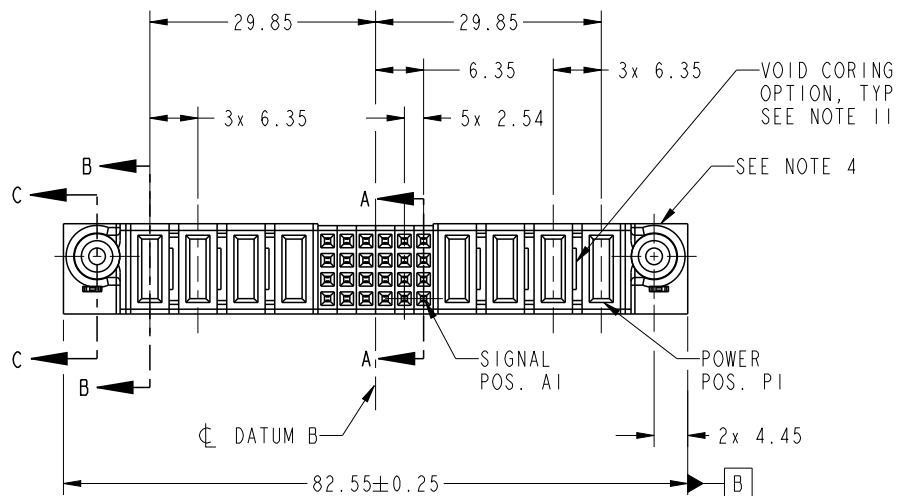


PRODUCT NO.	ROWS	POWER				SIGNAL				POWER									
		E2	P8	P7	P6	P5	6	5	4	3	2	1	P4	P3	P2	P1	E1		
51750-139-- NOTE: 3	D C B A		PF	PF	PC	PC	F	F	F	F	F	F	F	F	PC	PC	PF	PF	

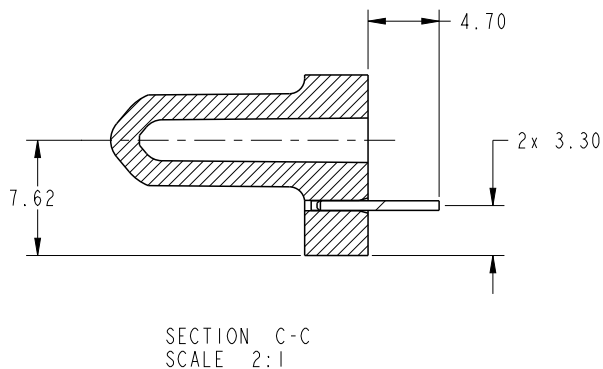
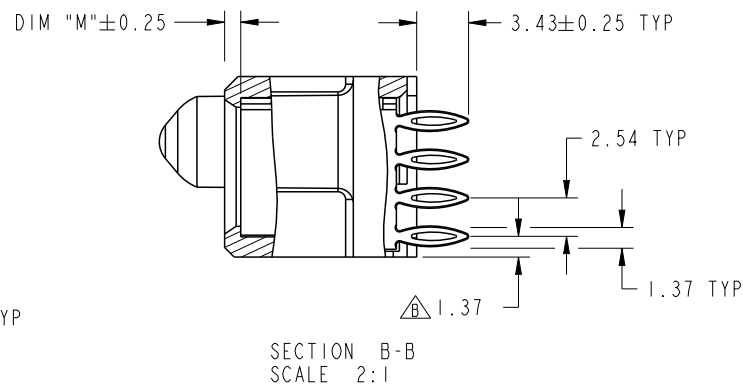
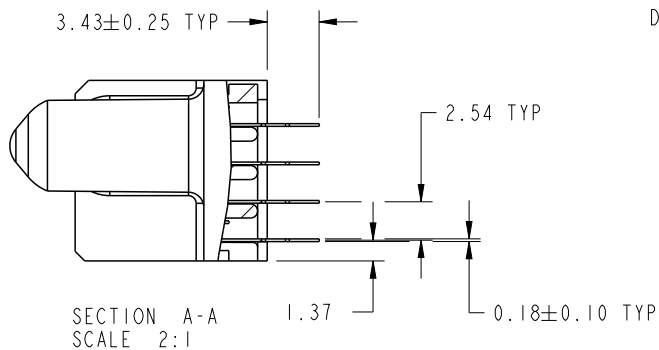


CODE	DIM "M" MATING LENGTH	CONTACT TYPE
PC	[1.07]	POWER
PF	[2.34]	POWER
F	[N/A]	SIGNAL
HA	[N/A]	HOLD-DOWN

spec ref	*	dr	De-Ming Lu	2014/05/12	projection 	MM ←→	size	A4	scale	1:1
tolerance std	TOLERANCES UNLESS OTHERWISE SPECIFIED	eng	De-Ming Lu	2014/08/12			ecn no	ELX-DG-18524-1		
SEE NOTE		chr	-	-			product family	PwrBlade		rel level
surface ✓	linear	0.X	±0.5		title	4P + 24S + 4P	dwg no	51750-139	rev	B
		0.XX	±0.25							
	angular	0°	±2°							

PRODUCT NUMBER

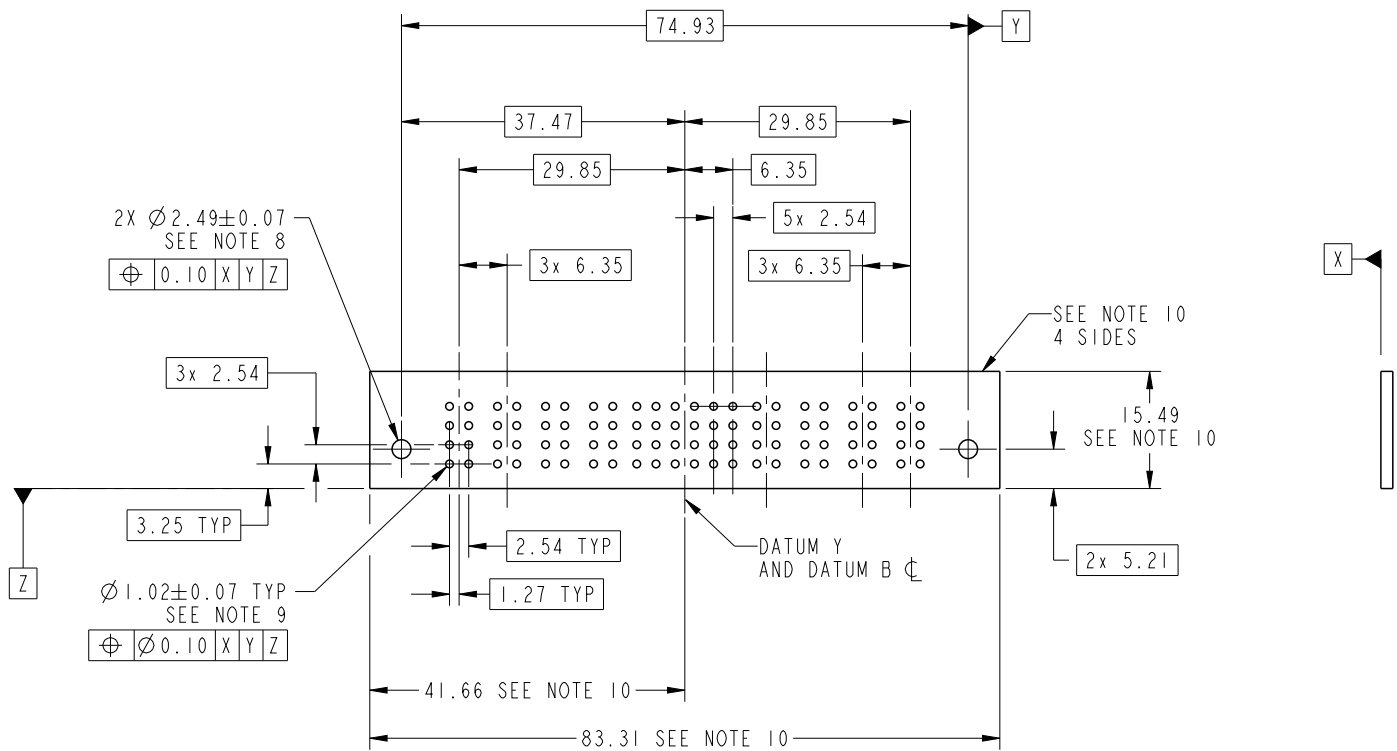
51750-139__
NOTE: 3



dr	De-Ming Lu	2014/05/12	projection 	MM 	size	A4	scale	1:1			
eng	De-Ming Lu	2014/08/12			ecn no	ELX-DG-18524-1					
chr	-	-			product family	PwrBlade	rel level	Released			
appr	Pei-Ming Zheng	2014/08/12			title	4P + 24S + 4P VERTICAL PF RECEPT		dwg no	51750-139	rev	B
www.fci.com		cat. no.	*	Product - Customer Drw			sheet 2 of 4				

PRODUCT NUMBER

51750-139_
NOTE: 3



RECOMMENDED PCB LAYOUT

dr	De-Ming Lu	2014/05/12	projection 	MM 	size	A4	scale	1:1
eng	De-Ming Lu	2014/08/12			ecn no	ELX-DG-18524-1		
chr	-	-			product family	PwrBlade	rel level	Released
appr	Pei-Ming Zheng	2014/08/12			title 4P + 24S + 4P VERTICAL PF RECEPT	dwg no 51750-139	rev B	www.fci.com
cat. no.		*	Product - Customer Drw			sheet 3 of 4		

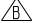
PRODUCT NUMBER

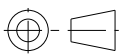
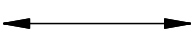
51750-139__
NOTE: 3

NOTES:

1. DIMENSIONS AND TOLERANCES ARE IN ACCORDANCE WITH ASME Y14.5M, 1994 UNLESS OTHERWISE SPECIFIED.

CONNECTOR NOTES:

- 2 HOUSING MATERIAL: UL 94 V-0 GLASS FILLED HIGH-TEMP THERMOPLASTIC
POWER CONTACT MATERIAL: COPPER ALLOY
SIGNAL PIN MATERIAL: COPPER ALLOY
 - 3. SEE ITEM 7 & 8 IN PRINT 10064183 FOR PLATING SPEC OF 51750-139 AND 51750-139LF RESPECTIVELY.
 - 4 MANUFACTURER'S NAME, DATE CODE AND OPTIONAL P/N TO APPEAR ON THIS SURFACE. THE MARK CAN BE OMITTED IF THERE IS NOT ENOUGH SPACE ON THIS SURFACE.
 - 5. PRODUCT SPECIFICATION GS-12-149.
APPLICATION SPECIFICATION BUS-20-067.
 - 6. PACKAGED IN TRAYS.
- PCB NOTES:
- 7. ALL HOLE DIAMETERS ARE FINISHED HOLE SIZE.
 - 8 MOUNTING HOLES, WHERE APPLICABLE, ARE UNPLATED.
 - 9 $\varnothing 1.151 \pm 0.025$ DRILLED HOLES PLATED WITH
0.008 MIN SnPb OR Sn OVER 0.03
TO 0.08 Cu PLATING TO ACHIEVE
 $\varnothing 1.02 \pm 0.07$ HOLE.
 - 10 CONNECTOR KEEP-OUT ZONE.
 - 11. THE VOID CORING IN BETWEEN POWER MODULES, SIGNAL MODULES AND END MODULES ARE OPTIONAL AND THE SHAPE MAY BE DIFFERENT FOR OPTIMIZE THE MOLDING PROCESS. THE VOID CORING WILL NOT EFFECT TO PRODUCT FUNCTION.
 - 12. A  SYMBOL WILL BE NEXT TO ANY DIMENSION, VIEW, OR NOTE WHICH HAS BEEN MODIFIED WITH THE CURRENT DRAWING REVISION.

dr	De-Ming Lu	2014/05/12	projection 	MM 	size	A4	scale	1:1			
eng	De-Ming Lu	2014/08/12			ecn no	ELX-DG-18524-1					
chr	-	-			product family	PwrBlade	rel level	Released			
appr	Pei-Ming Zheng	2014/08/12	FCj		title	4P + 24S + 4P VERTICAL PF RECEPT		dwg no	51750-139	rev	B
www.fci.com		cat. no.	*	Product - Customer Drw			sheet 4 of 4				