

4

3

2

1

THIS DRAWING IS UNPUBLISHED.
DIFFUSION RESTREINTE AMPRELEASED FOR PUBLICATION
LIBRE A LA DIFFUSION

20

LOC

DIST

REVISIONS

© COPYRIGHT

BY

ALL RIGHTS RESERVED.
TOUS DROITS RESERVES

P

LTR
REVDESCRIPTION
MODIFICATIONS

DATE

DWN
DESS.APVD
APP.

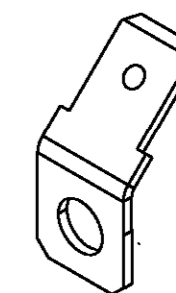
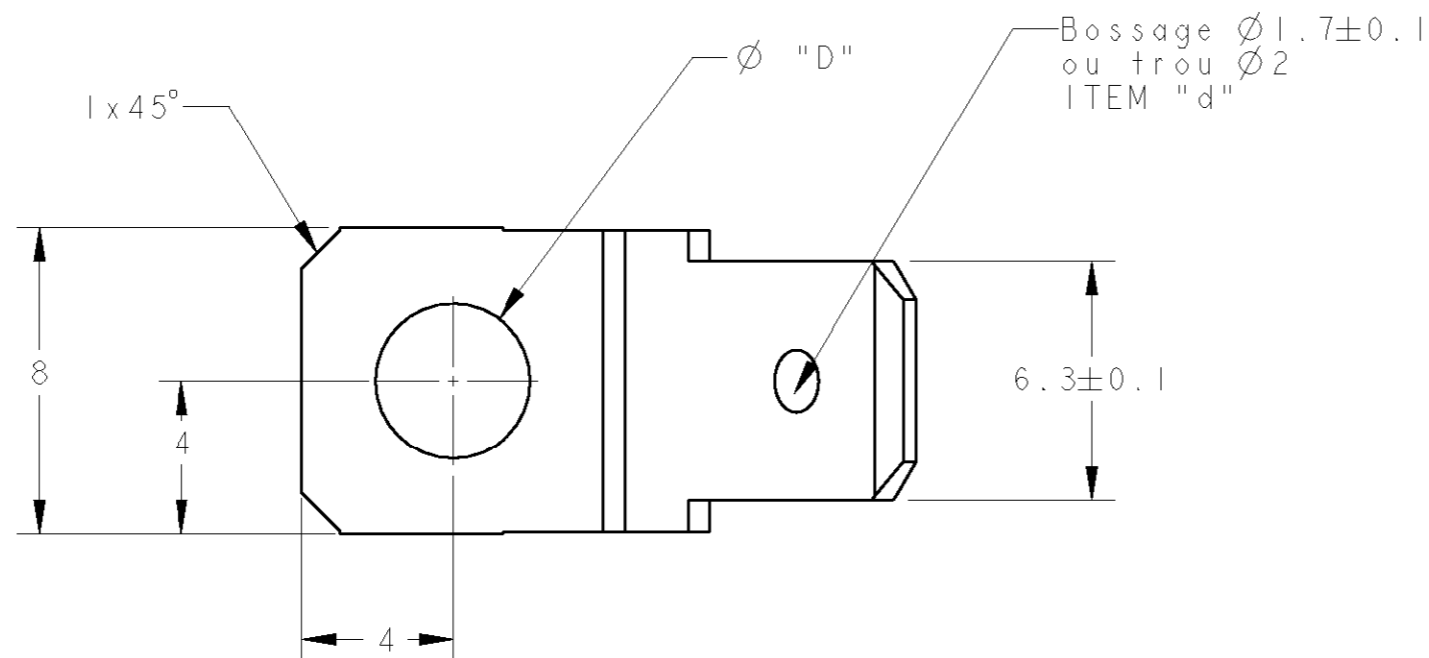
M1

REVISED PER ECO-11-005140

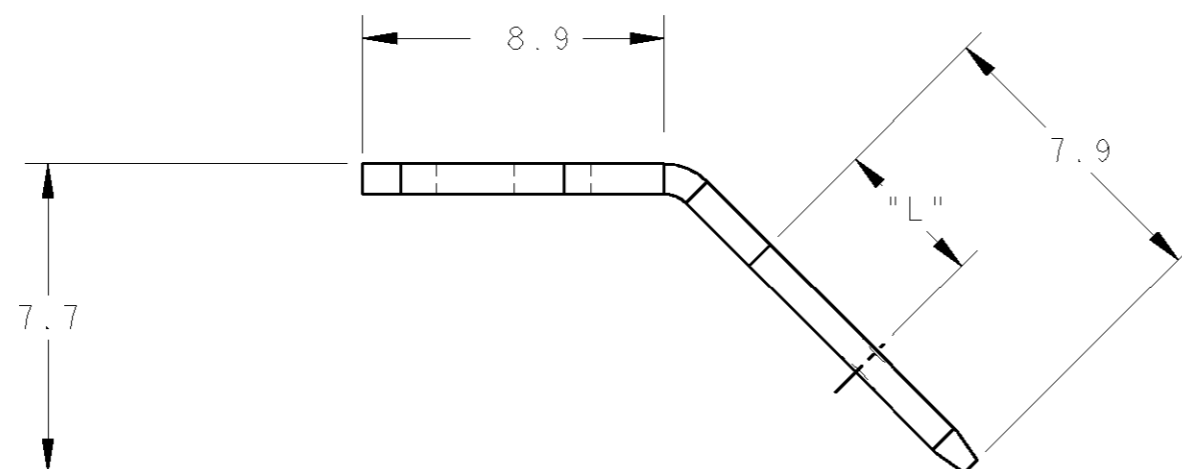
29APR11

RK

HMR



ECHELLE 2:1



141158-1	dore	4.1	3	bossage
141036-1	brut	3.4	5.2	trou
140829-2	etame	3.4	3	trou
140829-1	brut	3.4	3	trou
140814-2	etame	3.4	4.1	trou
140814-1	brut	3.4	4.1	trou
140856-2	etame	4.1	3.7	bossage
140856-1	brut	4.1	3.7	bossage
140759-1	nickele	4.1	5.2	bossage
140759-0	etame	4.1	5.2	bossage
140665-0	brut	4.1	5.2	bossage
140660-0	etame	4.1	3	bossage
140659-0	brut	4.1	3	bossage
140598-0	etame	4.1	4.1	bossage
140597-0	brut	4.1	4.1	bossage
Reference	Finition	"L"	"D"	"d"

DIMENSIONS: mm		TOLERANCES UNLESS OTHERWISE SPECIFIED: TOLERANCES NON SPECIFIEES (SUIV NB DE DECIMALES): 0 PLC/DEC: ± 0.2 1 PLC/DEC: ± 0.2 2 PLC/DEC: \pm 3 PLC/DEC: \pm 4 PLC/DEC: \pm ANGLES $\pm 30'$		DWN/DESSINE 30MARS98 O. LEMPEREUR CHK/VERIFIE - G. ROBERT APVD/APPROUVE - Y. PETRONIN PRODUCT SPEC SPEC. PRODUIT - APPLICATION SPEC SPEC. APPLICATION -			
MATERIAL/MATIERE LAITON		FINISH/FINITION Voir tableau		WEIGHT MASSE APPROX. -		FASTON TABS BENT 45 .250 series LANGUETTE POUR CLIPS	
SIZE FORMAT A3		CAGE CODE 00779		DRAWING NO No PLAN C-140597		RESTRICTED TO RESERVE A -	
CUSTOMER DRAWING /PLAN CLIENT		UNIQUEMENT POUR REFERENCE		SCALE ECHELLE 5:1		SHEET FEUILLE	
						OF DE	
						REV M1	