

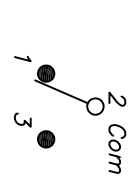
BLACK BEZEL

RECOMMENDED PANEL MOUNTING

PANEL THICKNESS

1.52 TO 3.18

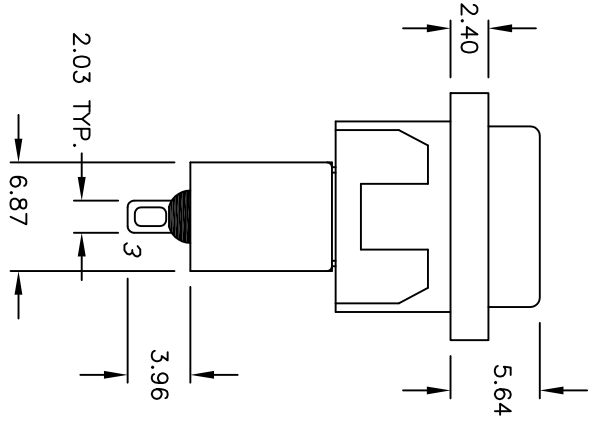
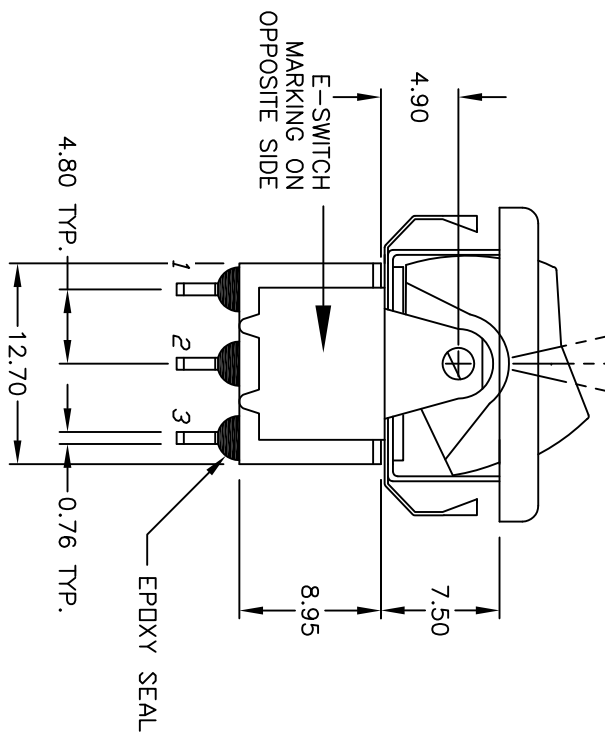
* DIMENSION IS 15.75/15.88 FOR PANEL THICKNESS BETWEEN 1.52mm TO 3.18mm



CIRCUIT: SPDT

SWITCH FUNCTION			
PDS. 1	PDS. 2	PDS. 3	
			<DN>
<DN>	OFF	<DN>	2-3
<DN>	OPEN	<DN>	2-1

< > = MOMENTARY



NOTES:

1. ALL DIMENSIONS IN MM
2. GENERAL TOLERANCE: X.X=±0.4 X.XX=±0.25
3. TERM. NOS. FOR REF. ONLY
4. RATING: 5A @120VAC OR 28VDC 2A @250VAC
5. MATERIAL: FIXED TERMINAL & MOVING CONTACT
Copper Alloy w/Silver Platte
6. CONTACT RESISTANCE: 10mILLI Ohms max initial @2-4VDC, 100mA for AG & AU
7. ELECTRICAL LIFE: 50,000 make-and-break cycles at full load.
8. INSULATION RESISTANCE: 1,000M ohm min.
9. DIELECTRIC STRENGTH: 1000V RMS @sea level
10. OPERATING TEMP.: -30C to 85C



C	20476	CORRECT DIMS	02/13/12	BMA
B	12202	REVISED AND REDRAWN	5/31/02	CB
REV.	ECN NO.	DESCRIPTION	DATE	CHKD

TITLE		300 SP-4 R6 BLK M1 Q E BLK	
SCALE	DATE	DR	DWG
2:1	5/31/02	CB	T314009
REV		C	

THE INFORMATION CONTAINED IN THIS DOCUMENT IS PROPRIETARY TO E-SWITCH AND IS NOT TO BE COPIED OR TRANSFERRED