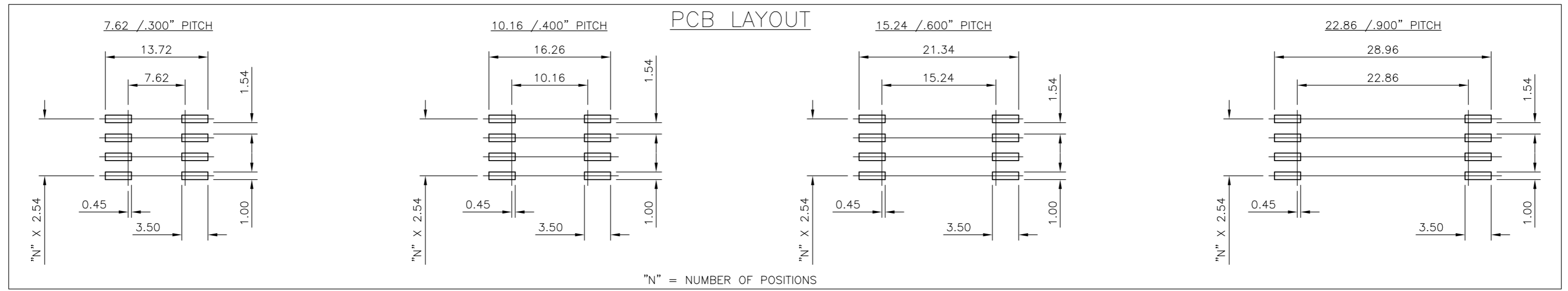
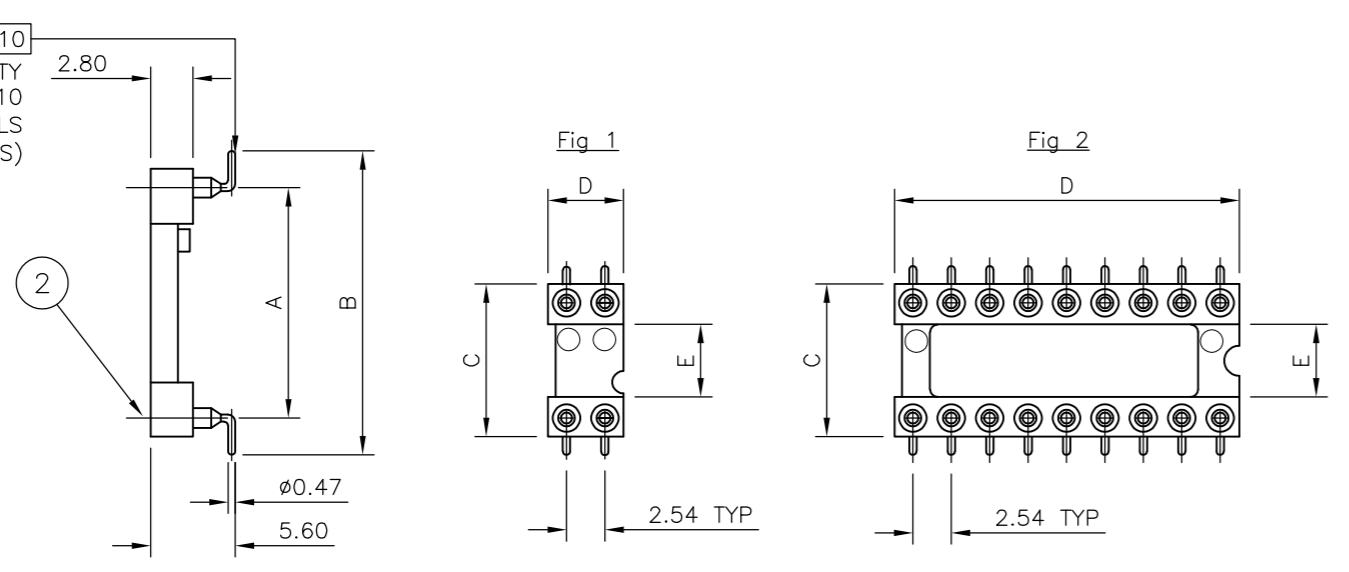


THIS DRAWING IS UNPUBLISHED. RELEASED FOR PUBLICATION
 © COPYRIGHT BY TYCO ELECTRONICS CORPORATION. ALL RIGHTS RESERVED.

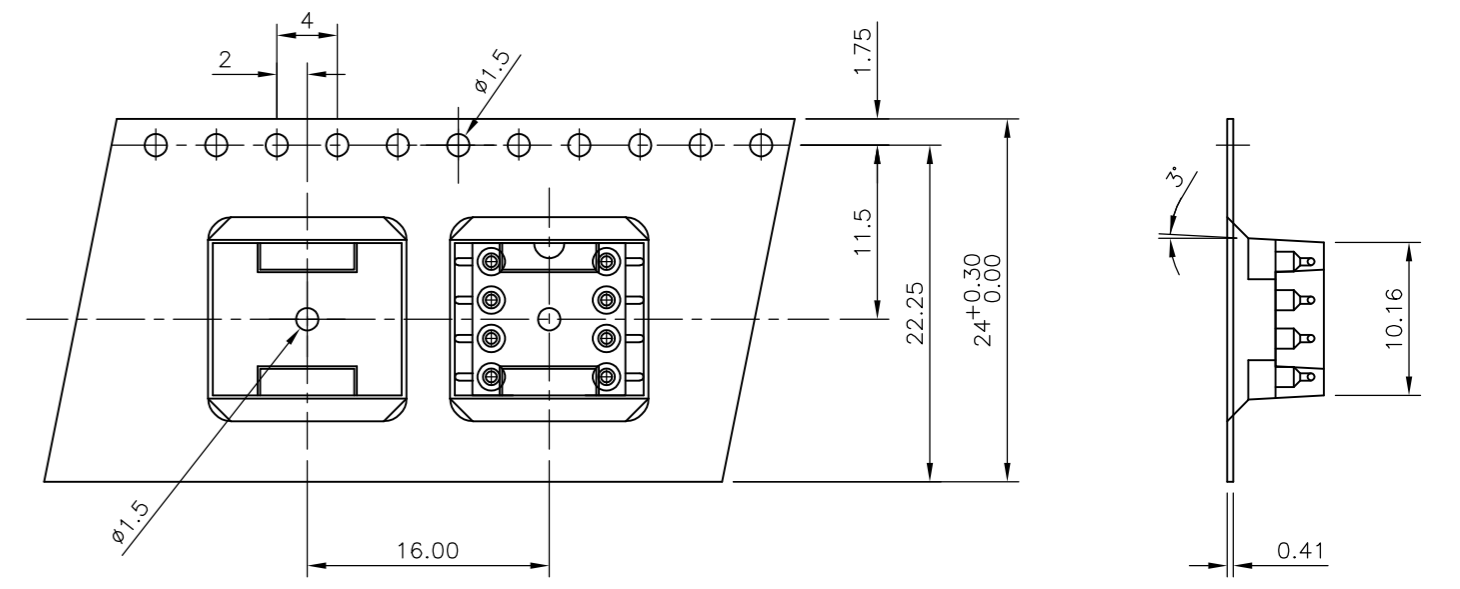
LOC		DIST		REVISIONS			
P	LTR	DESCRIPTION		DATE	DWN	APVD	
	D	REVISED PER ECO-09-005103		04MAR09	HMR	MM	

COPLANARITY
 0.00 ± 0.10
 (ACROSS ALL TAILS
 UP TO 40 POSITIONS)



"N" = NUMBER OF POSITIONS

TAPE AND REEL PACKAGING OPTION FOR 8 POSITION



NOTES:

- MATERIAL:
 - 1, INSULATOR - THERMOPLASTIC POLYESTER UL-94-V-0.
 - 2, SLEEVE - BRASS.
 - 3, CONTACT - STAMPED BERYLLIUM COPPER.
- PIN SPECIFICATION:
 - CONTACT ACCEPTS: ROUND PIN Ø0.40 TO 0.56. RECTANGULAR PIN 0.25 x 0.45 (NOMINAL).
- MECHANICAL DATA:
 - INSERTION FORCE- 2N MAX/CONTACT.
 - EXTRACTION FORCE- 1N MIN/CONTACT.
 - MECHANICAL LIFE- 100 CYCLES MIN (0.75µm Au) 50 CYCLES MAX (FLASH Au) 25 CYCLES MAX (5µm Sn)
 - CONTACT RETENTION- 3.3N MIN.
 - SOLDER PROCESS CAPABILITY-280°C
- ELECTRICAL:
 - CONTACT RESISTANCE- 10m Ohm MAX.
 - CONTACT RATING- 1Amp
 - INSULATION RESISTANCE- AT 500V AC BETWEEN ANY 2 ADJACENT CONTACTS MIN 10000m Ohm.
 - DIELECTRIC VOLTAGE- MIN 1000V RMS.
- ENVIRONMENTAL:
 - OPERATION TEMPERATURE- -55 +125°C
- TUBE PACKAGED WITH NUMBER OF PARTS PER TUBE AS INDICATED IN TABLE.
 - EACH TUBE TO BE INDIVIDUALLY LABELLED. THE LABEL WILL HAVE TE PART NUMBER, XX QTY PER TUBE, DATE CODE AND RoHS DIRECTIVE DETAILS (RoHS 2002/95/EC).
 - OUTER BOX / SHIPPER CARTON TO BE LABELLED WITH TE PART NUMBER, TOTAL XXX QTY PER OUTER BOX / SHIPPER CARTON, DATE CODE AND RoHS DIRECTIVE DETAILS (RoHS 2002/95/EC).
 - TAPE AND REEL PACKAGED SEE DETAIL
- FOR TECHNICAL DATA REFER TO YOUR LOCAL TYCO ELECTRONICS SALES OFFICE.

NOTES:

- TAPE AND REEL PACKAGING ACCORDING TO EIA 481
- REEL DIAMETER : 330mm

5µm MIN Sn	5µm Sn OVER 2-3µm Ni	4.4	10.1	10.1	12.26	7.62	8	2	1825575-2
5µm MIN Sn	5µm Sn OVER 2-3µm Ni	4.4	10.1	10.1	12.26	7.62	8	2	1825575-1
Contact Plating	Sleeve Plating	E	D	C	B	A	Number Of Positions	Fig	Part No

THIS DRAWING IS A CONTROLLED DOCUMENT.

DIMENSIONS: mm

TOLERANCES UNLESS OTHERWISE SPECIFIED:

0 PLC	±	-
1 PLC	±	-
2 PLC	±	-
3 PLC	±	-
4 PLC	±	-
ANGLES	±	-
FINISH	-	-

MATERIAL: -

APPROVALS:

DWN	M.BINNER	20MAR06
CHK	M.MILLER	20MAR06
APVD	M.MILLER	20MAR06

PRODUCT SPEC: -

APPLICATION SPEC: -

WEIGHT: -

CUSTOMER DRAWING

Tyco Electronics Corporation
 Harrisburg, PA 17105-3608

NAME: SURFACE MOUNT DIP IC SOCKET
 OUTBOARD TERMINATION

SIZE: A2 CAGE CODE: 00779 DRAWING NO: C=1825575 RESTRICTED TO: -

SCALE: 2:1 SHEET: 1 of 1 REV: D