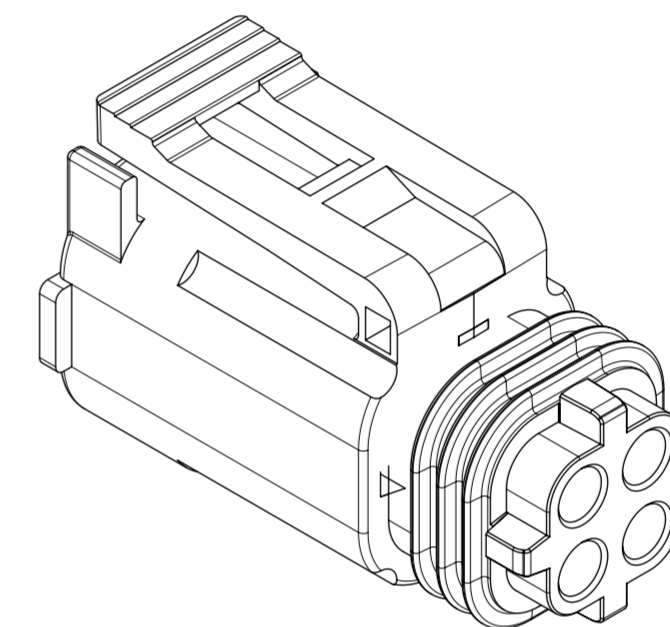


ISOMETRIC VIEW
CIRCUIT 1X2



ISOMETRIC VIEW
CIRCUIT 2X2

NOTES:

1. HOUSING MATERIAL PP UL94V0, COLOR-NATURAL
2. SEALING MATERIAL: TPE, COLOR-BLACK
3. MATES WITH PLUG HOUSING SERIES 172877
4. HOUSING DESIGNED TO BE USED WITH SOCKET SERIES 173042
5. COSMETIC SPECIFICATION PS-45499-002 CLASS 'C'
6. PRODUCT SPECIFICATION: 1728770001-PS
7. PACKAGING SPECIFICATION: 1728780010
8. CAVITY NUMBERS IDENTIFIED ON HOUSING (ON SEAL SURFACE)
9. VOID PLUG TO BE USED WITH RECEPTACLES HOUSING SERIES 173061

PART NUMBER LIST

PART NUMBER	CIRCUIT SIZE	DIM A	DIM B	DIM C
172878-0002	1X2	13.85	15.85	9.45
172878-0040	2X2	13.45	15.45	13.45

THIS DRAWING CONTAINS INFORMATION THAT IS PROPRIETARY TO MOLEX ELECTRONIC TECHNOLOGIES, LLC AND SHOULD NOT BE USED WITHOUT WRITTEN PERMISSION									
REVISED-RSD TO SD EC NO: 167615 DRWN: MBELLE CHKD: MBELLE REV: APPR: ISHWARG	2017/11/03	GENERAL TOLERANCES (UNLESS SPECIFIED)	DIMENSION UNITS	SCALE	molex RECEPTACLE HOUSING WITH INTEGRATED SEAL VALUSEAL				
	2017/11/03	(UNLESS SPECIFIED)	mm	3:1					
	2017/11/04	ANGULAR TOL ± 0.5 °	DRWN BY	DATE	PRODUCT CUSTOMER DRAWING				
		4 PLACES ±	SS06	2015/02/23	SERIES MATERIAL NUMBER CUSTOMER				
		3 PLACES ±	CHK'D BY	DATE	172878 SEE TABLE GENERAL MARKET				
	2 PLACES ± 0.25	SS06	2015/12/08	DOCUMENT NUMBER DOC TYPE DOC PART SHEET NUMBER					
	1 PLACE ± 0.36	APPR BY	DATE	SD-172878-0001 PSD 000 1 OF 2					
	0 PLACES ±	RHODGE	2015/04/06						
	DRAFT WHERE APPLICABLE MUST REMAIN WITHIN DIMENSIONS	DRAWING SIZE	THIRD ANGLE PROJECTION						
G5		A2							