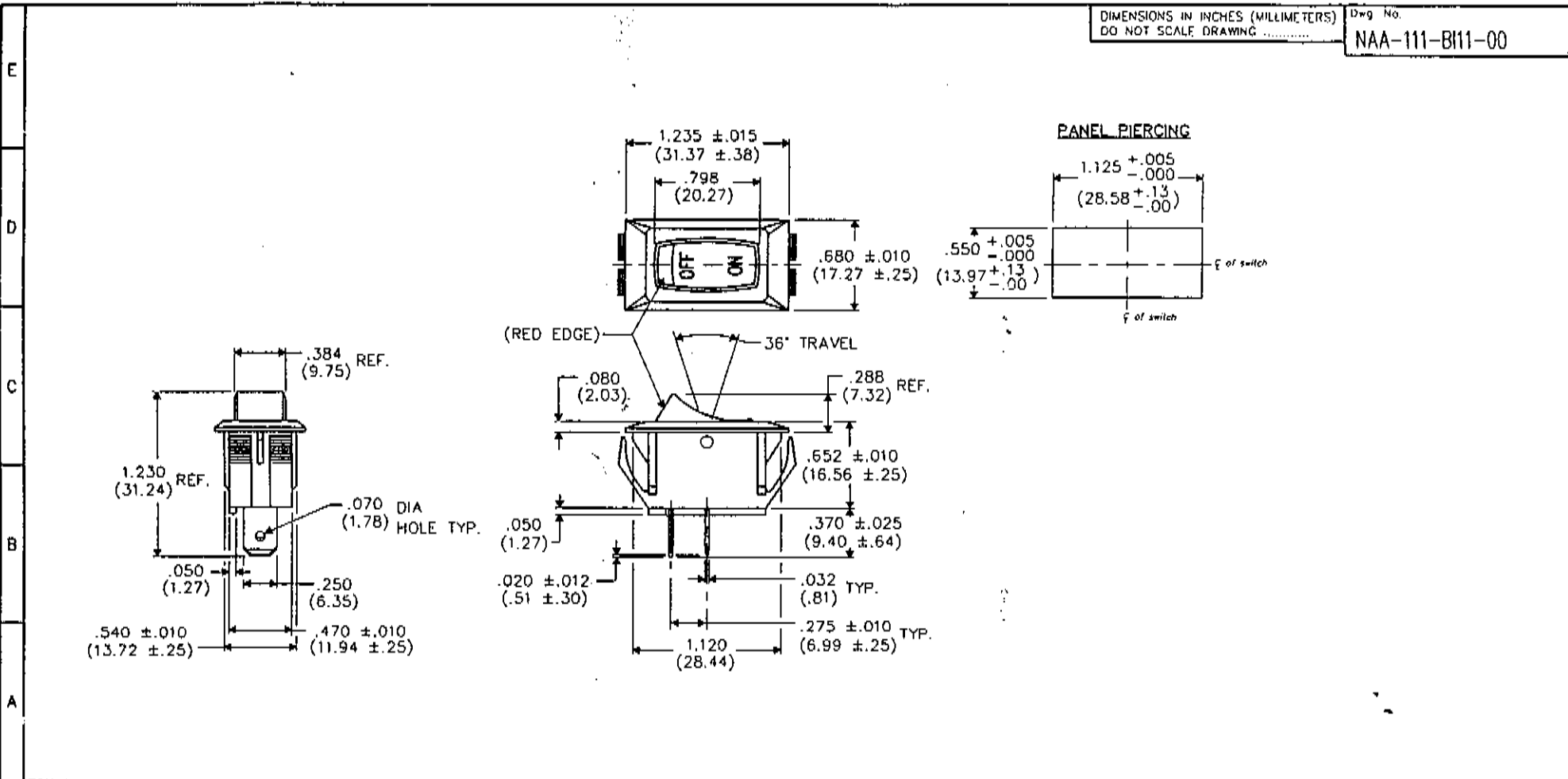


DIMENSIONS IN INCHES (MILLIMETERS)
DO NOT SCALE DRAWING

Dwg No.
NAA-111-B111-00



1	2	3	4	5	6	7	8	9	10
---	---	---	---	---	---	---	---	---	----

FORM-8 REVISIONS 0 RELEASED DCW 6-28-2001 JUL 3 2001	CW INDUSTRIES Southampton, Pa. 18966						Title: INDICON UNIBODY SWITCH ASSEMBLY 1.125" x .550" PANEL	
	TOLERANCES UNLESS OTHERWISE SPECIFIED						Division: SWITCH	
	2 Place Decimal ±.010			METRIC			Dwg No. NAA-111-B111-00	
	3 Place Decimal ±.005			1 Place Dec. ±.25mm			Approved: <i>G. Guld</i> 7-3-01	
Angles 31°			2 Place Dec. ±.13mm			Checked by: <i>G. Guld</i> 7-3-01		
Made for: CW IND.						Dwg No. NAA-111-B111-00		
Drawn by: DGW 6-28-2001						Dwg No. NAA-111-B111-00		
Checked by: <i>G. Guld</i> 7-3-01						Dwg No. NAA-111-B111-00		
Approval: <i>G. Guld</i> 7-3-01						Dwg No. NAA-111-B111-00		

7/3/01