

BLACK	53856-5011	50
WHITE	53856-5010	50
HOUSING COLOR	ENG. No.	No. Of CKT.

DO NOT SCALE DRAWING

EC NO. DRWN: CHK: APPR:	EC NO. DRWN: CHK: APPR:	EC NO. DRWN: CHK: APPR:	EC NO. DRWN: CHK: APPR:
RELEASED	EC NO. JD2000-0925	DRWN: THANYU '00/03/0	CHK: MSASAO '00/03/0
		APPR: HIKESUGI '00/03/0	

MATERIAL 材料	SEE NOTES
FINISH 仕上り	SEE NOTES
WIRE RANGE 適用規格範囲	#
INS. RANGE 被覆外径	#

GENERAL TOLERANCES: (UNLESS SPECIFIED) 一般公差	SCALE 2 - 1	DESIGN UNITS <input checked="" type="checkbox"/> mm <input type="checkbox"/> INCH
10 UNDER 未満	±0.2	DRAWN BY & DATE T. Hamaya '00/03/10
10 OVER 30 UNDER 以上 未満	±0.25	CHECKED BY & DATE M. Sasao '00/03/10
30 OVER 以上	±0.3	APPROVED BY & DATE [Signature] '00/03/10
ANGLE 角度	±3°	CAD FILENAME SD-53856-002.S01

53856-501	MODEL No.	DIMENSIONS: <input type="checkbox"/> mm <input type="checkbox"/> INCH <input checked="" type="checkbox"/> mm ONLY	SHT	REV
		THIRD ANGLE PROJECTION		

TITLE: CF CARD CONN. 50P HEADER ASS'Y		
MOLEX INCORPORATED		
MATERIAL NO.	DRAWING NO.	SHEET NO.
SEE CHART	SD-53856-002	1 OF 2

THIS DRAWING CONTAINS INFORMATION THAT IS PROPRIETARY TO MOLEX INCORPORATED AND SHOULD NOT BE USED WITHOUT WRITTEN PERMISSION.

SD-53856-002.501

DWG. NO. SD-53856-002

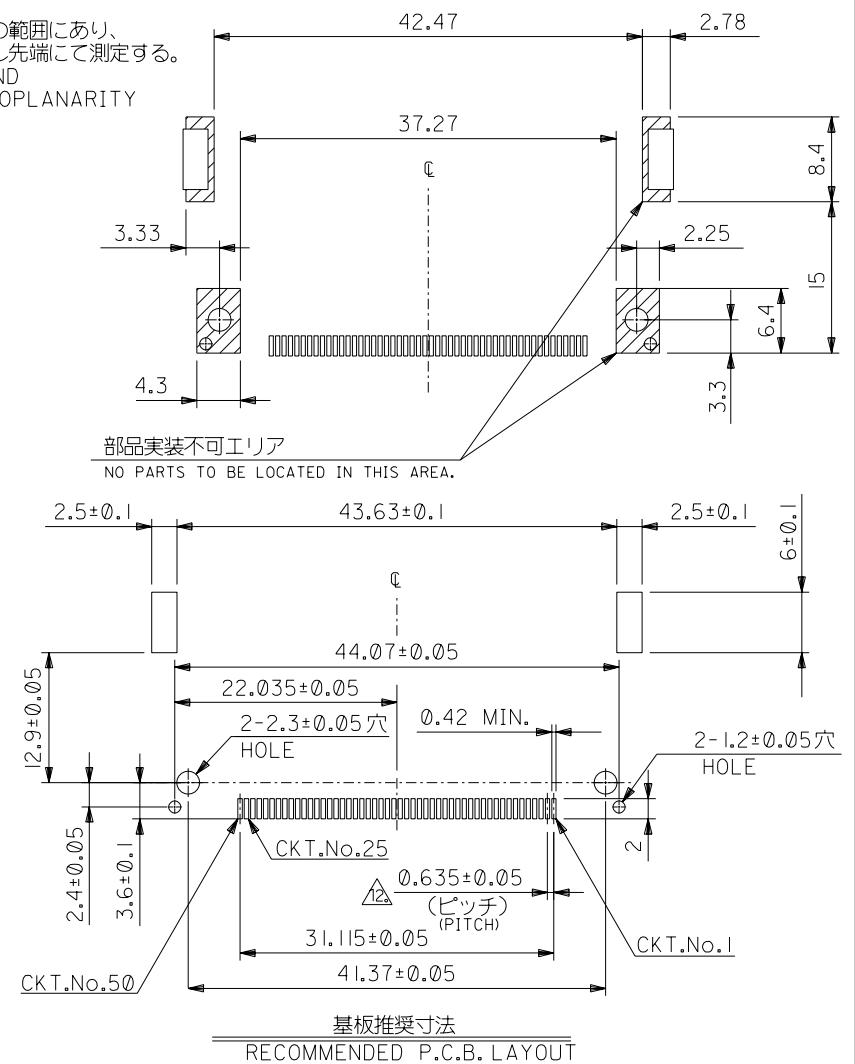
DO NOT SCALE DRAWING

注) NOTES

- 材質 MATERIAL  
ハウジング: ガラス入り LCP UL94V-0  
HOUSING: LCP G.F. UL94V-0  
ピン: リン青銅  
PIN: PHOSPHOR BRONZE  
メール: リン青銅  
NAIL: PHOSPHOR BRONZE
- メッキ仕様 PLATING  
PIN 接点部: パラジウムニッケル下地、金メッキ  
CONTACT AREA: Au OVER Pd-Ni  
半田付け部: 半田メッキ  
SOLDER TAIL AREA: TIN-LEAD  
下地メッキ: ニッケルメッキ  
UNDERPLATING: Ni OVER ALL  
NAIL 半田メッキ  
Sn-Pb  
下地メッキ: 銅メッキ  
UNDERPLATING: Cu OVER ALL
- 推奨基板厚: t $\geq$ 0.8 MIN.  
RECOMMENDED P.C.B. THICKNESS: t $\geq$ 0.8 MIN.
- 適合カード厚 RECOMMENDED CARD THICKNESS  
接続部: 3.3 $\pm$ 0.1  
CONNECTING AREA: 3.3 $\pm$ 0.1
- 適合カード幅: 42.8 $\pm$ 0.1  
RECOMMENDED CARD WIDTH: 42.8 $\pm$ 0.1
- ハウジング色: HOUSING COLOR:  
53856-5010: 白 (WHITE)  
53856-5010: 黒 (BLACK)
- 寸法適用極: 1,13,38,50  
THIS DIMENSION APPLIES TO CIRCUIT NUMBERS 1,13,38 AND 50.
- 寸法適用極: 25,26  
THIS DIMENSION APPLIES TO CIRCUIT NUMBERS 25 AND 26.
- ピンの倒れは、ピン根元を基準に全方向へ $\leq$ 0.1 MAX.とする。  
PIN TIP LEAN TOWARD ANY DIRECTION NOT TO EXCEED 0.1 WHEN MEASURED FROM PIN BASE.
- ピン根元に適用する。  
THIS DIMENSION TO BE MEASURED AT PIN BASE.

$\triangle$  ソルダータールは、Z面を基準とし上へ0.05下へ0.2の範囲にあり、且つソルダータールの平坦度は、0.15 MAX.とし、テール先端にて測定する。  
SOLDERTAILS TO BE WITHIN 0.05 UPWARD AND 0.2 DOWNWARD FROM Z-DATUM PLACE, AND COPLANARITY OF SOLDERTAILS TO BE WITHIN 0.15. MEASUREMENT POINT IS SOLDERTAILS TIP.

$\triangle$  公差非累積  
NON-CUMULATIVE



EC NO. DRAWN: CHK: APPR:	EC NO. DRAWN: CHK: APPR:	EC NO. DRAWN: CHK: APPR:	EC NO. DRAWN: CHK: APPR:	EC NO. DRAWN: CHK: APPR:	EC NO. DRAWN: CHK: APPR:	REV	MATERIAL 材料	GENERAL TOLERANCES: (UNLESS SPECIFIED) 一般公差	SCALE 2-1	DESIGN UNITS <input checked="" type="checkbox"/> mm <input type="checkbox"/> INCH	THIRD ANGLE PROJECTION	DIMENSIONS: <input type="checkbox"/> mm <input type="checkbox"/> INCH <input checked="" type="checkbox"/> mm ONLY	SHT	REV
							FINISH 仕上げ	10 UNDER 未満 ±0.2	DRAWN BY & DATE T. Hamano '00/03/10	TITLE: CF CARD CONN. 50P HEADER ASS'Y				
							WIRE RANGE 適用電線範囲	10 OVER 30 UNDER 未満 ±0.25	CHECKED BY & DATE H. Sasao '00/03/10	MOLEX INCORPORATED				
							INS. RANGE 被覆外径	30 OVER 以上 ±0.3	APPROVED BY & DATE (Signature) '00/03/10	MATERIAL NO.	DRAWING NO.	SHEET NO.		
							ANGLE 角度	±3°	THIS DRAWING CONTAINS INFORMATION THAT IS PROPRIETARY TO MOLEX INCORPORATED AND SHOULD NOT BE USED WITHOUT WRITTEN PERMISSION.					SIZE B

SD-53856-002.S02