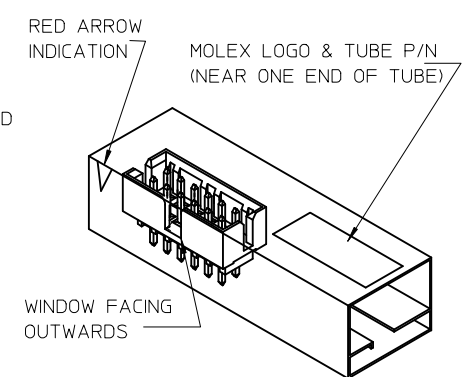
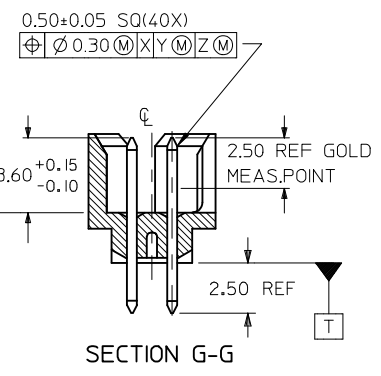
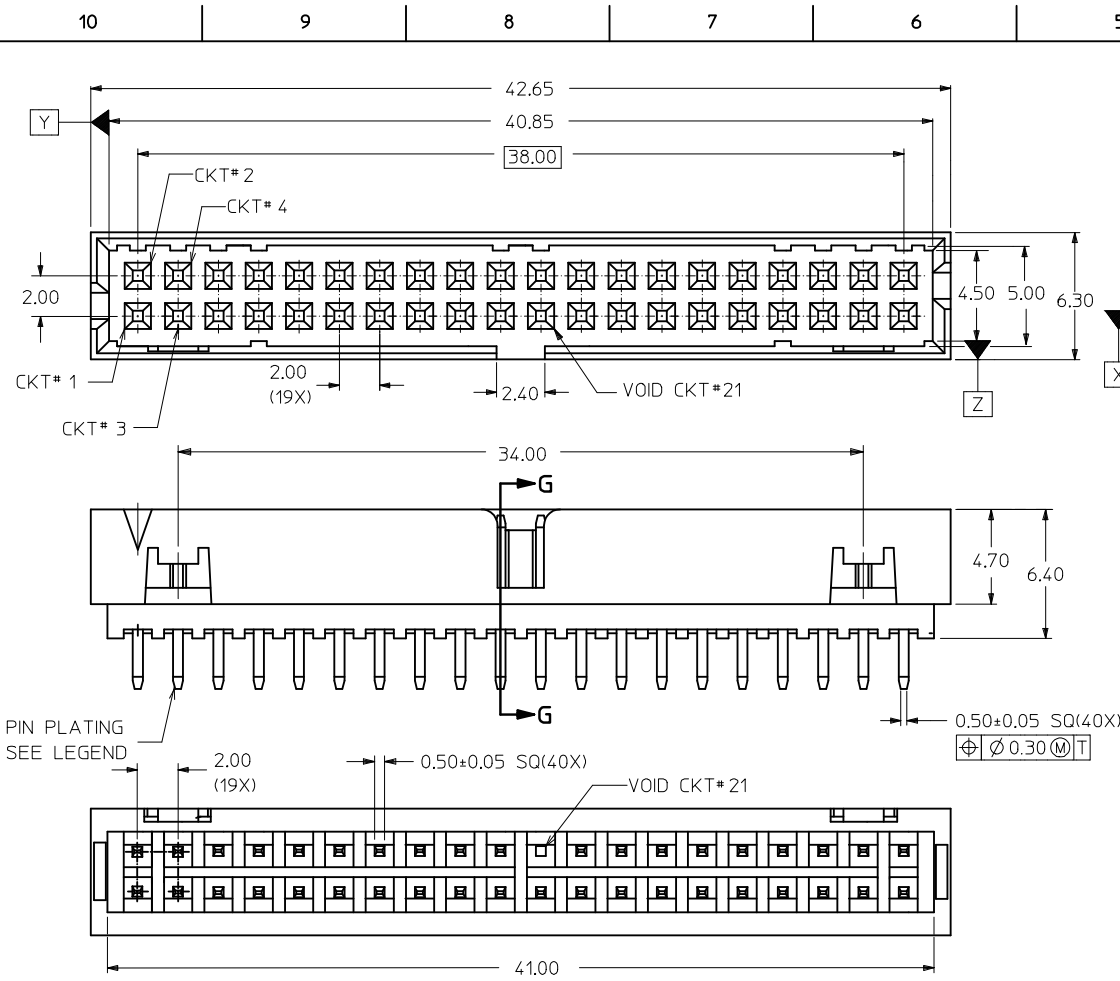


PART NO.	CKT SIZE	VOID CKT
87831-40**	40	21



ORIENTATION OF PART IN TUBE
(FOR THE REFERENCE OF PART/TUBE ASSEMBLY)

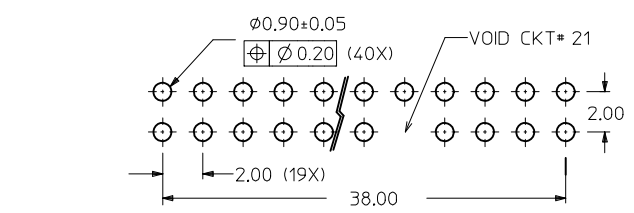
PART NUMBER LEGEND:

87831 - 4 0 **

- CKT SIZE
- PLATING OPTIONS
- 33 - 0.38um/15uin GOLD IN CONTACT AREA AND 1.88um/75uin MIN. TIN IN SOLDER TAIL AREA OVER 1.27um/50uin MIN. NICKEL OVERALL.
 - 34 - 0.76um/30uin GOLD IN CONTACT AREA AND 1.88um/75uin MIN. TIN IN SOLDER TAIL AREA OVER 1.27um/50uin MIN. NICKEL OVERALL.

NOTES:

1. PRODUCT SPECIFICATION PS-87831-027 APPLIES.
2. MATERIAL :
HOUSING : NYLON 46, 30% G.F., UL94V-0 COLOR BLACK.
PIN : PHOSPHOR BRONZE, SQ. 0.50MM
3. PIN PUSHOUT FORCE : 0.91KG MIN. IN EITHER DIRECTION.
4. THIS HEADER MATES WITH MOLEX :
a) CRIMP RECEPTACLE HOUSING, 51110 SERIES WITH CRIMP TERMINAL, 50394 SERIES
b) 2mm MILLIGRID DUAL ROW IDT, 87568 SERIES.
5. PARTS TO BE PACKED IN TUBE WITH MOISTURE BARRIER BAG.



RECOMMENDED PCB PATTERN

ADD MOIST BAG NOTE EC NO: S2007-0892 DRWING: MENARLY 2007/05/04 CHKD: SKANG 2007/05/04 APPR: MLONG 2007/05/07	QUALITY SYMBOLS ▽=0 ◻=0	GENERAL TOLERANCES (UNLESS SPECIFIED)		DIMENSION STYLE	SCALE	DESIGN UNITS	THIRD ANGLE PROJECTION	
				MM ONLY	NTS	METRIC		
			mm	INCH	DRAWN BY	DATE	TITLE	
			4 PLACES	± ---	± ---	ATSEE	2004/08/26	MGRID, SHROUDED HEADER VERTICAL W/SLOT & STANDOFFS
	3 PLACES	± ---	± ---	CHECKED BY	DATE			
	2 PLACES	± 0.20	± ---	SHONG	2004/11/22			
	1 PLACE	± ---	± ---	APPROVED BY	DATE			
	ANGULAR ± 3 °			SKTOH	2004/11/23	Molex	MOLEX INCORPORATED	
	DRAFT WHERE APPLICABLE MUST REMAIN WITHIN DIMENSIONS			MATERIAL NO.	DOCUMENT NO.			
				SEE TABLE				
				SIZE	THIS DRAWING CONTAINS INFORMATION THAT IS PROPRIETARY TO MOLEX INCORPORATED AND SHOULD NOT BE USED WITHOUT WRITTEN PERMISSION			
				A3				
						SD-87831-043	SHEET NO. 1 OF 1	