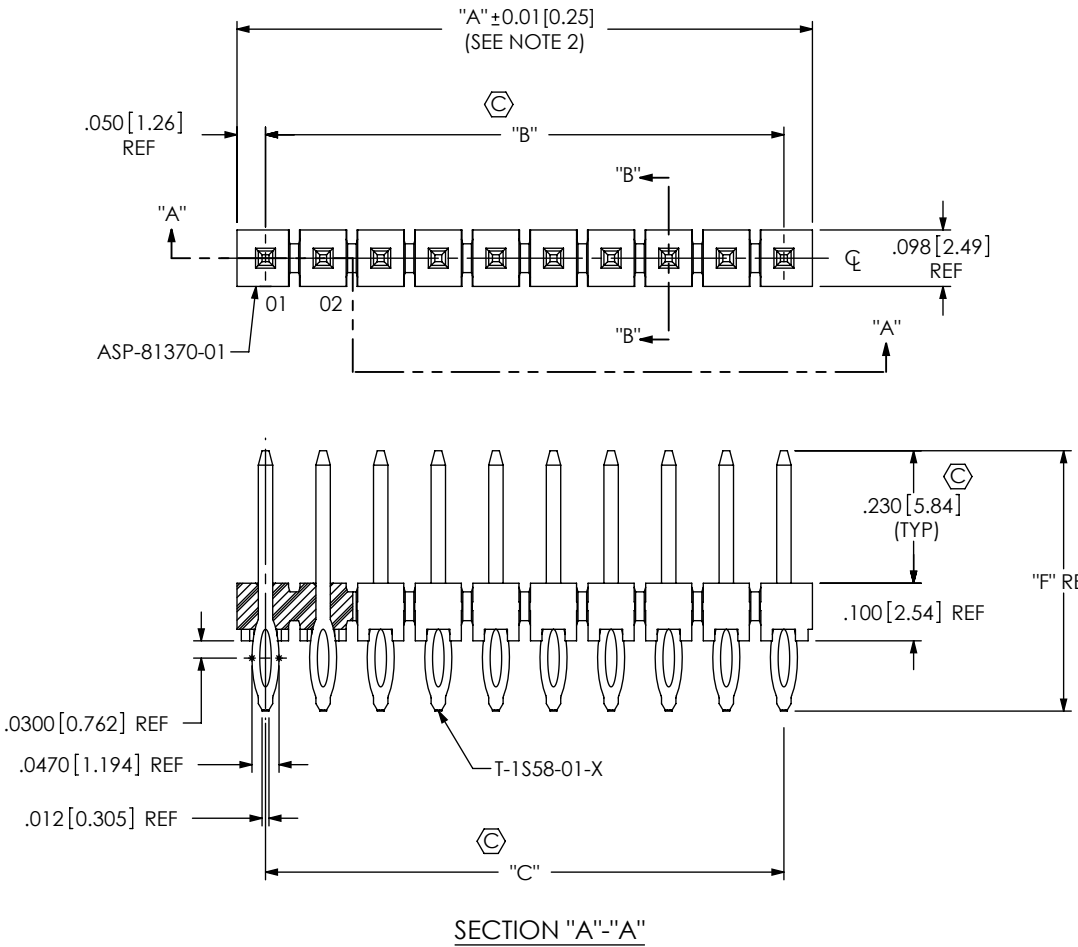


DO NOT SCALE FROM THIS PRINT



PHT-1XX-XX-X-X-XXX

No OF POSITIONS
-01 (SINGLE ROW ONLY)
-02 THRU -50 (PER ROW)

POLARIZATION OPTION
-XXX INDICATES POSITION

LEAD STYLE
-01: (USE T-1S58-01-X)
-02: (USE T-1S58-02-X)
-03: (USE T-1S58-03-X)
-04: (USE T-1S58-04-X)

ROW SPECIFICATION
-S: SINGLE
-D: DOUBLE

PLATING SPECIFICATION
-S: SELECTIVE, .000030 GOLD ON POST, TIN ON TAIL
-L: SELECTIVE, .000010 GOLD ON POST, TIN ON TAIL

FIG 1 (PHT-1XX-01-X-3 SHOWN)

TABLE 1

LEAD STYLE	"E"	"F"
-01	N/A	0.452 [11.48]
-02	0.200 [5.08]	0.552 [14.02]
-03	0.300 [7.62]	0.652 [16.56]
-04	0.400 [10.16]	0.752 [19.10]

TABLE 3 - PACKAGING

LEAD STYLE	ROW SPEC.	TUBE	PLUG
-01	-S	PT-1-24-01-53	TP-24
	-D	PT-1-24-02-53	TP-03
-02	-S	PT-1-24-02-03	TP-24
	-D	PT-1-24-06-29	TP-09
-03	-S	PT-1-24-10-03	TP-24
	-D	PT-1-24-15-29	TP-07
-04	-S	PT-1-24-10-03	TP-24
	-D	PT-1-24-16-29	TP-07

- NOTES:
- ⊗ REPRESENTS A CRITICAL DIMENSION.
 - MAXIMUM CUT FLASH: .020 [.51].
 - MINIMUM CONTACT RETENTION: .5 LB PER PIN.
 - PARTS MAY BE CUT TO POS.
 - BULK PACKAGED TO BE USED FOR 4 POSITION AND BELOW. TUBE TO BE USED FOR 5 POSITION AND ABOVE. 50 POSITION STRIPS USED FOR STOCK ARE TO BE LAYER PACKAGED.
 - MAX ALLOWABLE BOW: .02 INCH/INCH FOR -01 STYLE, .005 INCH/INCH FOR -02, -03 -04 STYLES AFTER ASSEMBLY.

UNLESS OTHERWISE SPECIFIED, DIMENSIONS ARE IN INCHES[MILLIMETERS].
TOLERANCES ARE:
DECIMALS ANGLES
.XX: ±.01 [.3] 2°
.XXX: ±.005 [.13]
.XXXX: ±.0020 [.051]

PROPRIETARY NOTE
THIS DOCUMENT CONTAINS INFORMATION CONFIDENTIAL AND PROPRIETARY TO SAMTEC, INC. AND SHALL NOT BE REPRODUCED OR TRANSFERRED TO OTHER DOCUMENTS OR DISCLOSED TO OTHERS OR USED FOR ANY PURPOSE OTHER THAN THAT WHICH IT WAS OBTAINED WITHOUT THE EXPRESSED WRITTEN CONSENT OF SAMTEC, INC.



520 PARK EAST BLVD, NEW ALBANY, IN 47150
PHONE: 812-944-6733 FAX: 812-948-5047
e-Mail info@SAMTEC.com code 55322

MATERIAL: DO NOT SCALE DRAWING SHEET SCALE: 3:1
INSULATOR: LCP, UL 94 VO
COLOR: BLACK
CONTACT: PHOS BRONZE

DESCRIPTION: .100 PRESS FIT SOCKET ASSEMBLY
DWG. NO. PHT-1XX-XX-X-X-XXX

TABLE 2

No. OF POS	"A"	"B"	"C"	"D"
-01	0.100 [2.54]	N/A	N/A	0.095 [2.41]
-02	0.200 [5.08]	0.100 [2.54]	0.100 [2.54]	0.195 [4.95]
-03	0.300 [7.62]	0.200 [5.08]	0.200 [5.08]	0.295 [7.49]
-04	0.400 [10.16]	0.300 [7.62]	0.300 [7.62]	0.395 [10.03]
-05	0.500 [12.70]	0.400 [10.16]	0.400 [10.16]	0.495 [12.57]
-06	0.600 [15.24]	0.500 [12.70]	0.500 [12.70]	0.595 [15.11]
-07	0.700 [17.78]	0.600 [15.24]	0.600 [15.24]	0.695 [17.65]
-08	0.800 [20.32]	0.700 [17.78]	0.700 [17.78]	0.795 [20.19]
-09	0.900 [22.86]	0.800 [20.32]	0.800 [20.32]	0.895 [22.73]
-10	1.000 [25.40]	0.900 [22.86]	0.900 [22.86]	0.995 [25.27]
-11	1.100 [27.94]	1.000 [25.40]	1.000 [25.40]	1.095 [27.81]
-12	1.200 [30.48]	1.100 [27.94]	1.100 [27.94]	1.195 [30.35]
-13	1.300 [33.02]	1.200 [30.48]	1.200 [30.48]	1.295 [32.89]
-14	1.400 [35.56]	1.300 [33.02]	1.300 [33.02]	1.395 [35.43]
-15	1.500 [38.10]	1.400 [35.56]	1.400 [35.56]	1.495 [37.97]
-16	1.600 [40.64]	1.500 [38.10]	1.500 [38.10]	1.595 [40.51]
-17	1.700 [43.18]	1.600 [40.64]	1.600 [40.64]	1.695 [43.05]
-18	1.800 [45.72]	1.700 [43.18]	1.700 [43.18]	1.795 [45.59]
-19	1.900 [48.26]	1.800 [45.72]	1.800 [45.72]	1.895 [48.13]
-20	2.000 [50.80]	1.900 [48.26]	1.900 [48.26]	1.995 [50.67]
-21	2.100 [53.34]	2.000 [50.80]	2.000 [50.80]	2.095 [53.21]
-22	2.200 [55.88]	2.100 [53.34]	2.100 [53.34]	2.195 [55.75]
-23	2.300 [58.42]	2.200 [55.88]	2.200 [55.88]	2.295 [58.29]
-24	2.400 [60.96]	2.300 [58.42]	2.300 [58.42]	2.395 [60.83]
-25	2.500 [63.50]	2.400 [60.96]	2.400 [60.96]	2.495 [63.37]
-26	2.600 [66.04]	2.500 [63.50]	2.500 [63.50]	2.595 [65.91]
-27	2.700 [68.58]	2.600 [66.04]	2.600 [66.04]	2.695 [68.45]
-28	2.800 [71.12]	2.700 [68.58]	2.700 [68.58]	2.795 [70.99]
-29	2.900 [73.66]	2.800 [71.12]	2.800 [71.12]	2.895 [73.53]
-30	3.000 [76.20]	2.900 [73.66]	2.900 [73.66]	2.995 [76.07]
-31	3.100 [78.74]	3.000 [76.20]	3.000 [76.20]	3.095 [78.61]
-32	3.200 [81.28]	3.100 [78.74]	3.100 [78.74]	3.195 [81.15]
-33	3.300 [83.82]	3.200 [81.28]	3.200 [81.28]	3.295 [83.69]
-34	3.400 [86.36]	3.300 [83.82]	3.300 [83.82]	3.395 [86.23]
-35	3.500 [88.90]	3.400 [86.36]	3.400 [86.36]	3.495 [88.77]
-36	3.600 [91.44]	3.500 [88.90]	3.500 [88.90]	3.595 [91.31]
-37	3.700 [93.98]	3.600 [91.44]	3.600 [91.44]	3.695 [93.85]
-38	3.800 [96.52]	3.700 [93.98]	3.700 [93.98]	3.795 [96.39]
-39	3.900 [99.06]	3.800 [96.52]	3.800 [96.52]	3.895 [98.93]
-40	4.000 [101.60]	3.900 [99.06]	3.900 [99.06]	3.995 [101.47]
-41	4.100 [104.14]	4.000 [101.60]	4.000 [101.60]	4.095 [104.01]
-42	4.200 [106.68]	4.100 [104.14]	4.100 [104.14]	4.195 [106.55]
-43	4.300 [109.22]	4.200 [106.68]	4.200 [106.68]	4.295 [109.09]
-44	4.400 [111.76]	4.300 [109.22]	4.300 [109.22]	4.395 [111.63]
-45	4.500 [114.30]	4.400 [111.76]	4.400 [111.76]	4.495 [114.17]
-46	4.600 [116.84]	4.500 [114.30]	4.500 [114.30]	4.595 [116.71]
-47	4.700 [119.38]	4.600 [116.84]	4.600 [116.84]	4.695 [119.25]
-48	4.800 [121.92]	4.700 [119.38]	4.700 [119.38]	4.795 [121.79]
-49	4.900 [124.46]	4.800 [121.92]	4.800 [121.92]	4.895 [124.33]
-50	5.000 [127.00]	4.900 [124.46]	4.900 [124.46]	4.995 [126.87]

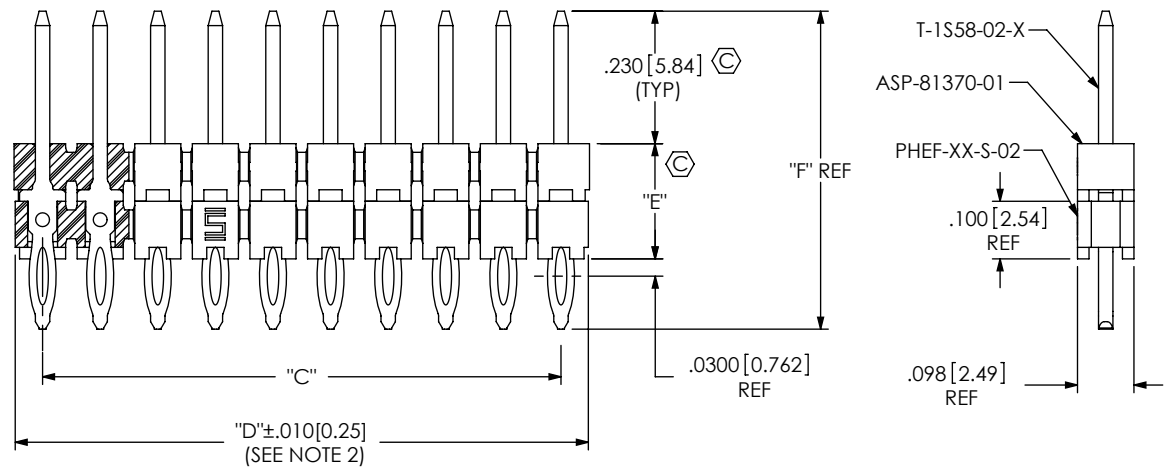
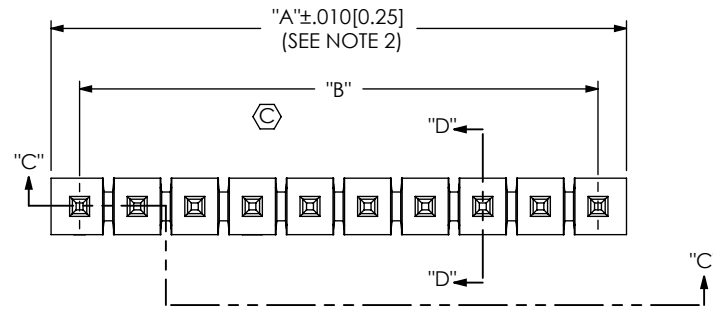


FIG 2
(PHT-1XX-02-X-3 SHOWN)
(SAME AS FIG 1, EXCEPT AS SHOWN)
(FOR -02, -03 & -04 LEAD STYLE ONLY)

<p>PROPRIETARY NOTE THIS DOCUMENT CONTAINS INFORMATION CONFIDENTIAL AND PROPRIETARY TO SAMTEC, INC. AND SHALL NOT BE REPRODUCED OR TRANSFERRED TO OTHER DOCUMENTS OR DISCLOSED TO OTHERS OR USED FOR ANY PURPOSE OTHER THAN THAT WHICH IT WAS OBTAINED WITHOUT THE EXPRESSED WRITTEN CONSENT OF SAMTEC, INC.</p> <p>DO NOT SCALE DRAWING</p> <p>SHEET SCALE: 3:1</p>		
	<p>520 PARK EAST BLVD, NEW ALBANY, IN 47150 PHONE: 812-944-6733 FAX: 812-948-5047 e-Mail: info@SAMTEC.com code 55322</p>	
	<p>DESCRIPTION: .100 PRESS FIT SOCKET ASSEMBLY</p>	
	<p>DWG. NO. PHT-1XX-XX-X-X-XXX</p>	
<p>BY: VICKY Z 09/08/2009</p>		<p>SHEET 2 OF 4</p>

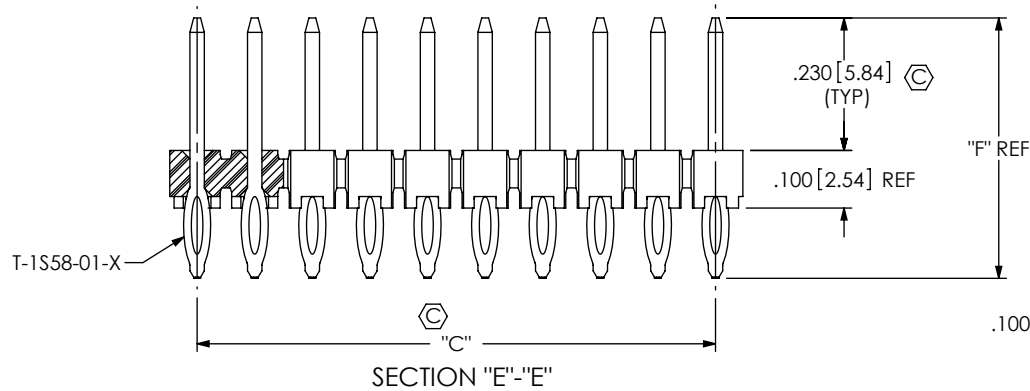
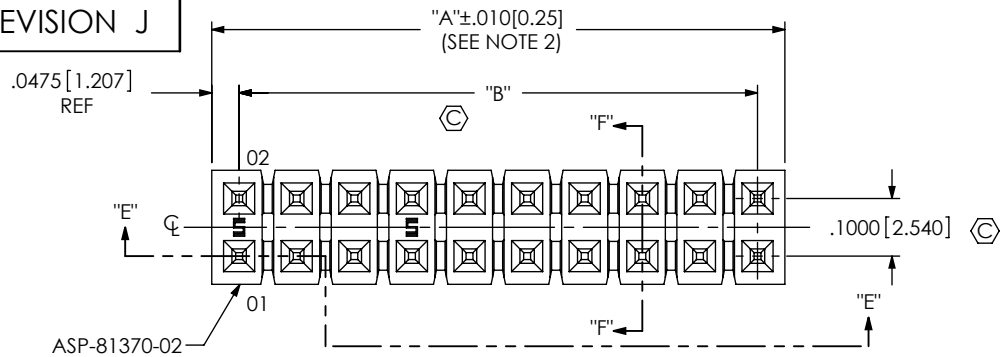


FIG 3
(PHT-1XX-01-X-D SHOWN)
(SAME AS FIG 1, EXCEPT AS SHOWN)

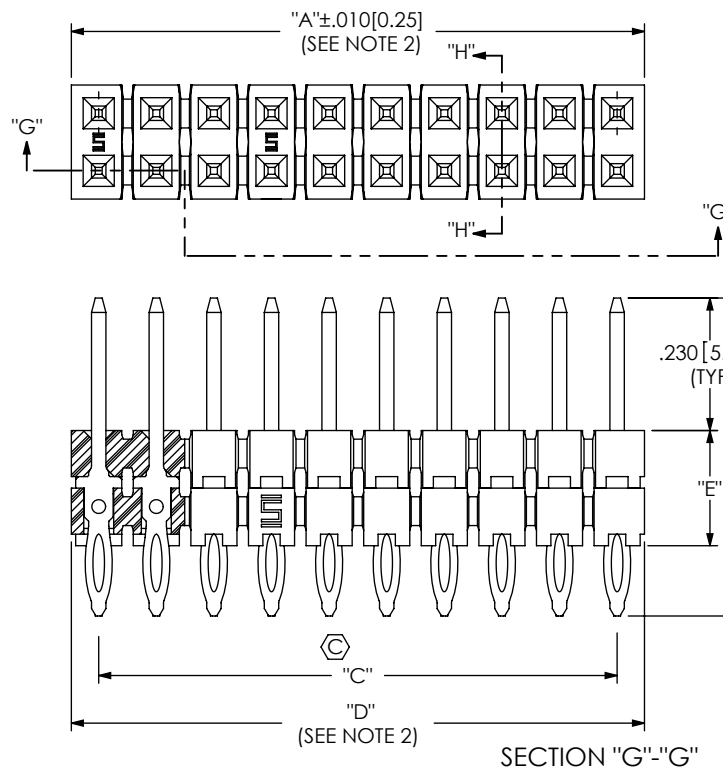
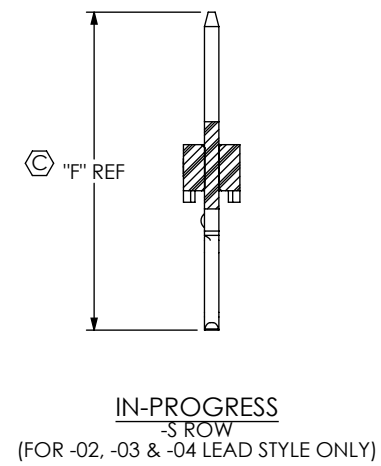
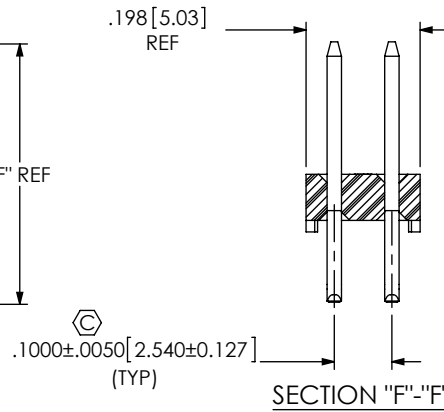
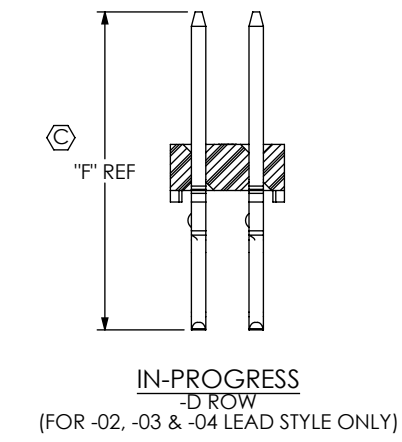
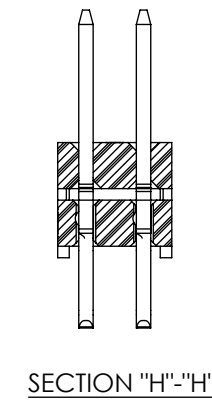
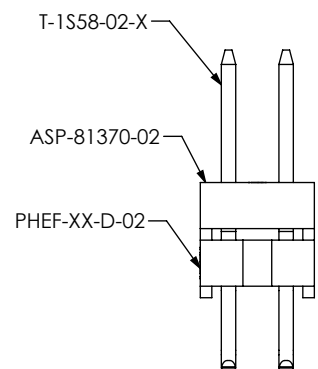


FIG 4
(PHT-1XX-02-X-D SHOWN)
(SAME AS FIG 3, EXCEPT AS SHOWN)
(FOR -02, -03, & -04 LEAD STYLE ONLY)



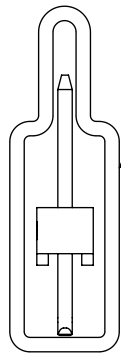
PROPRIETARY NOTE
THIS DOCUMENT CONTAINS INFORMATION
CONFIDENTIAL AND PROPRIETARY TO
SAMTEC, INC. AND SHALL NOT BE REPRODUCED
OR TRANSFERRED TO OTHER DOCUMENTS OR
DISCLOSED TO OTHERS OR USED FOR ANY
PURPOSE OTHER THAN THAT WHICH IT WAS
OBTAINED WITHOUT THE EXPRESSED WRITTEN
CONSENT OF SAMTEC, INC.

DO NOT SCALE DRAWING
SHEET SCALE: 3:1

samtec

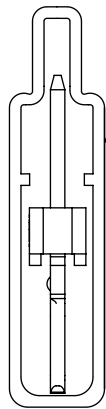
520 PARK EAST BLVD, NEW ALBANY, IN 47150
PHONE: 812-944-6733 FAX: 812-948-5047
e-Mail: info@SAMTEC.com code 55322

DESCRIPTION: .100 PRESS FIT SOCKET ASSEMBLY
DWG. NO. PHT-1XX-XX-X-X-XXX
BY: VICKY Z 09/08/2009 SHEET 3 OF 4



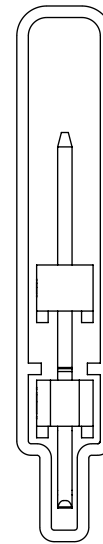
PT-1-24-01-53

PHT-1XX-01-X-S-XXX



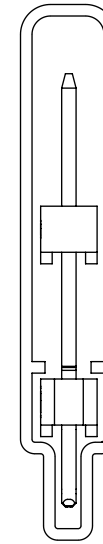
PT-1-24-02-03

PHT-1XX-02-X-S-XXX



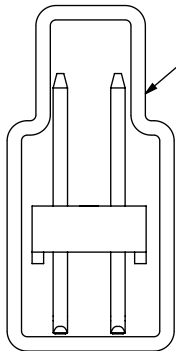
PT-1-24-10-03

PHT-1XX-03-X-S-XXX



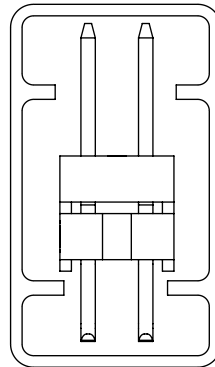
PT-1-24-10-03

PHT-1XX-04-X-S-XXX



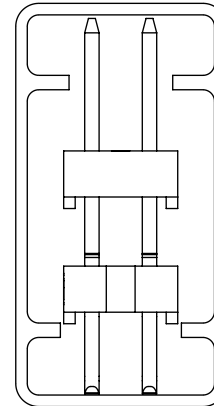
PT-1-24-02-53

PHT-1XX-01-X-D-XXX



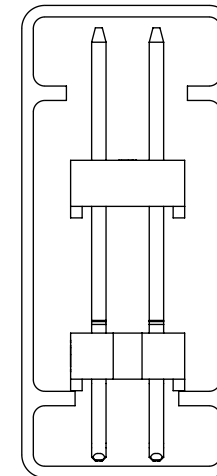
PT-1-24-06-29

PHT-1XX-02-X-D-XXX



PT-1-24-15-29

PHT-1XX-03-X-D-XXX



PT-1-24-16-29

PHT-1XX-04-X-D-XXX

PROPRIETARY NOTE
 THIS DOCUMENT CONTAINS INFORMATION
 CONFIDENTIAL AND PROPRIETARY TO
 SAMTEC, INC. AND SHALL NOT BE REPRODUCED
 OR TRANSFERRED TO OTHER DOCUMENTS OR
 DISCLOSED TO OTHERS OR USED FOR ANY
 PURPOSE OTHER THAN THAT WHICH IT WAS
 OBTAINED WITHOUT THE EXPRESSED WRITTEN
 CONSENT OF SAMTEC, INC.

DO NOT SCALE DRAWING

SHEET SCALE: 3:1

samtec

520 PARK EAST BLVD, NEW ALBANY, IN 47150
 PHONE: 812-944-6733 FAX: 812-948-5047
 e-Mail: info@SAMTEC.com code 55322

DESCRIPTION:
 .100 PRESS FIT SOCKET ASSEMBLY

DWG. NO.
PHT-1XX-XX-X-X-XXX

BY: VICKY Z 09/08/2009 SHEET 4 OF 4