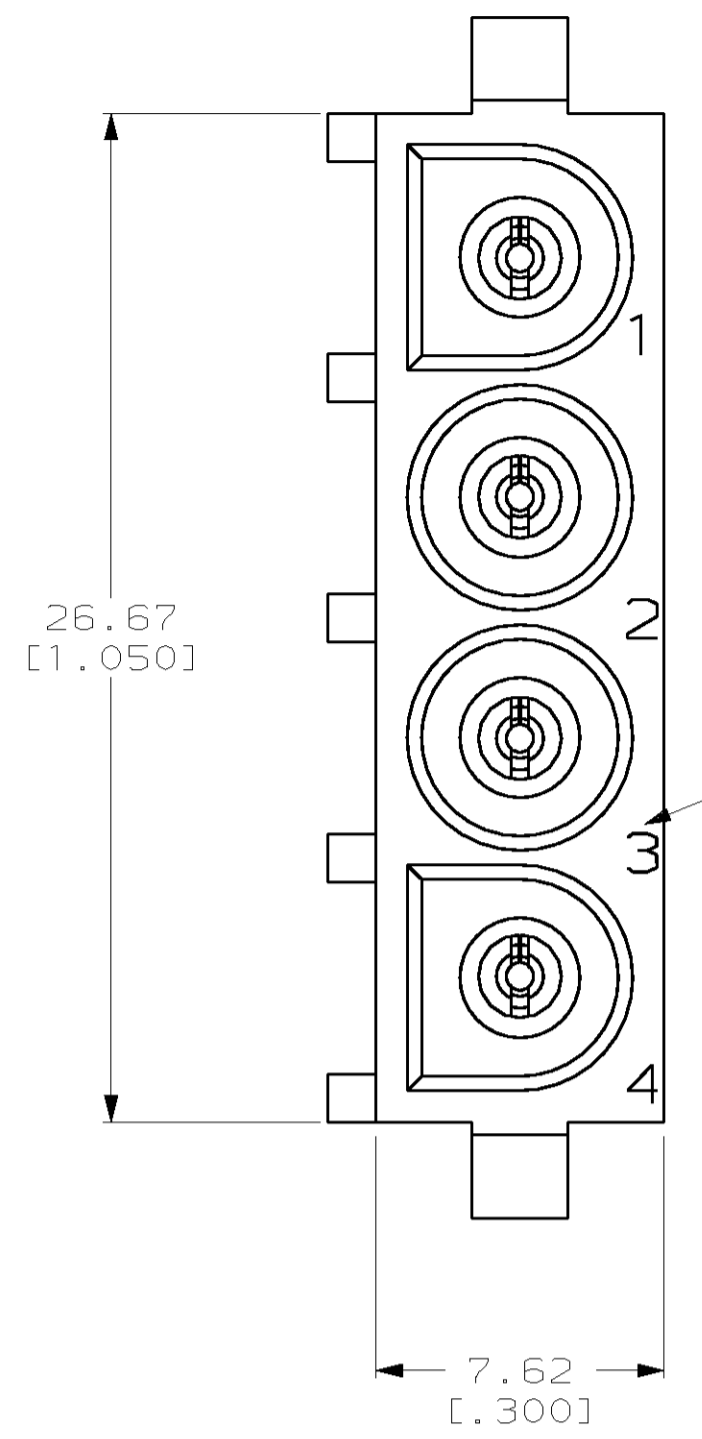
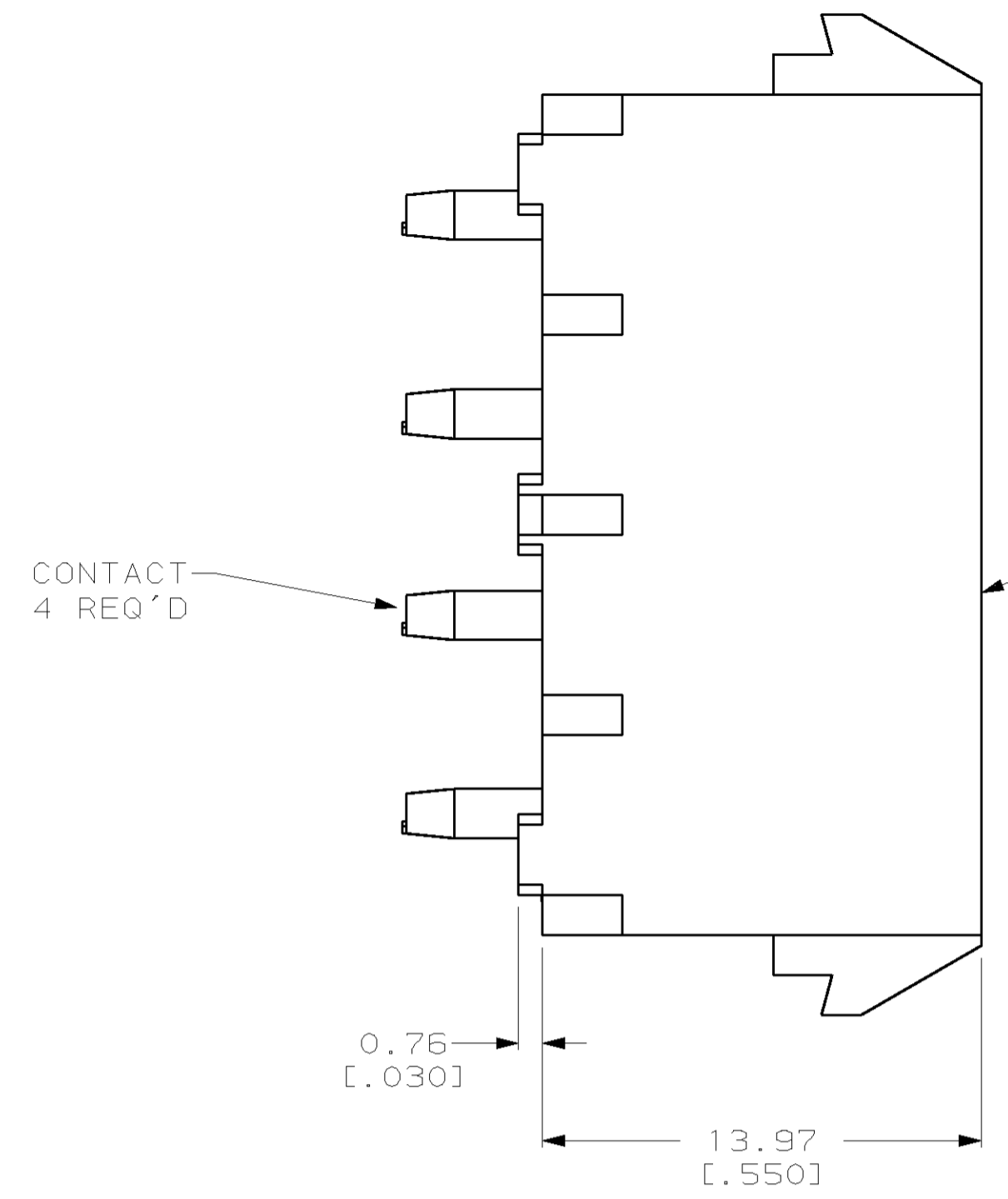
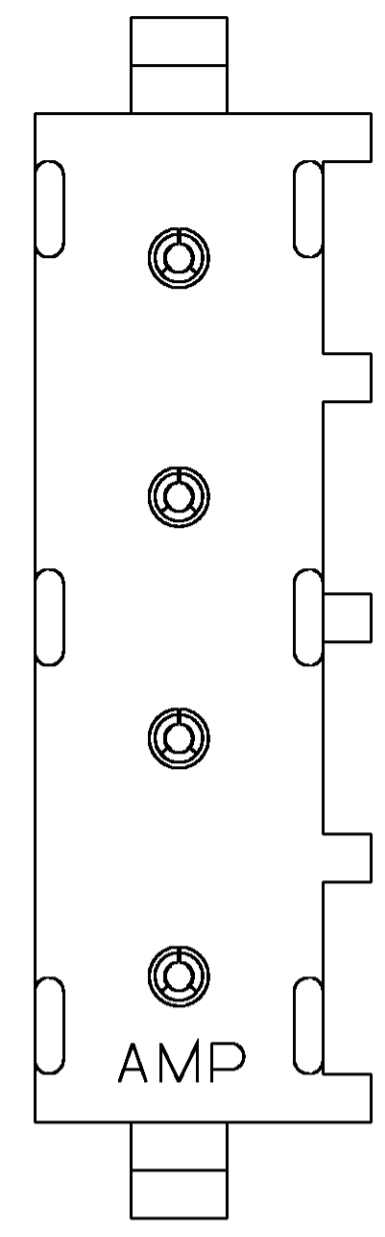
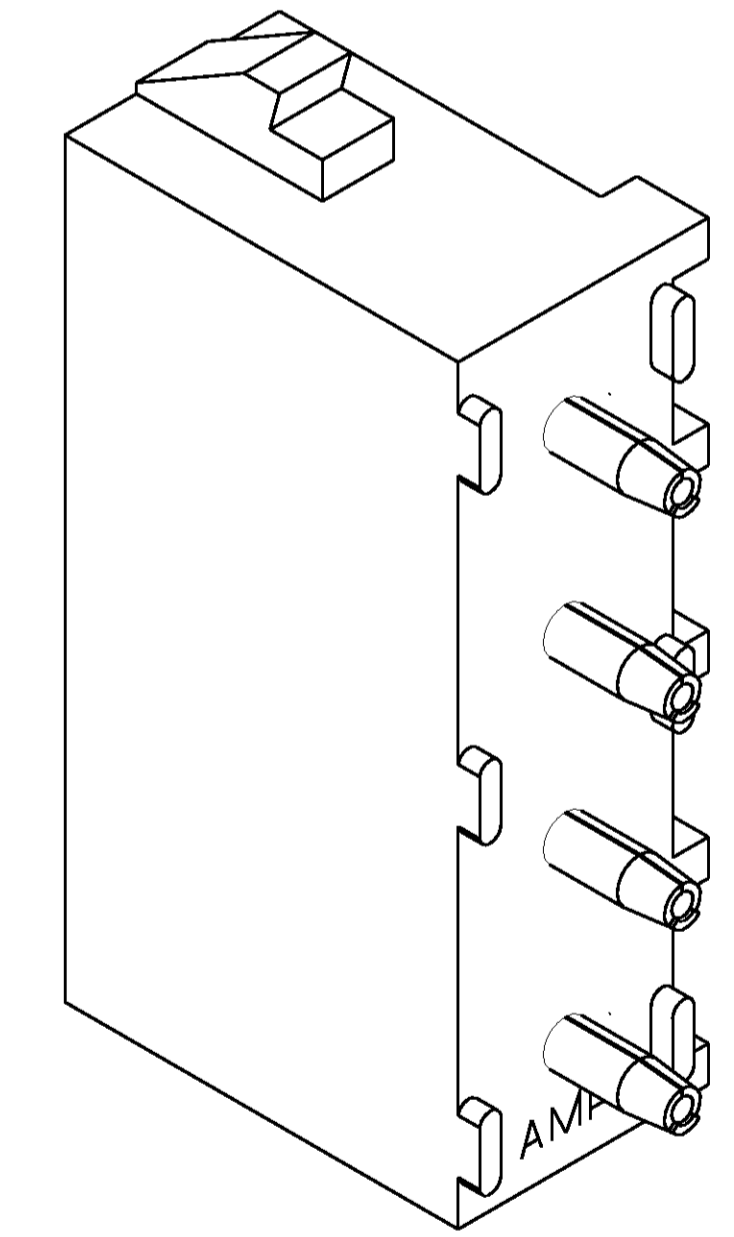
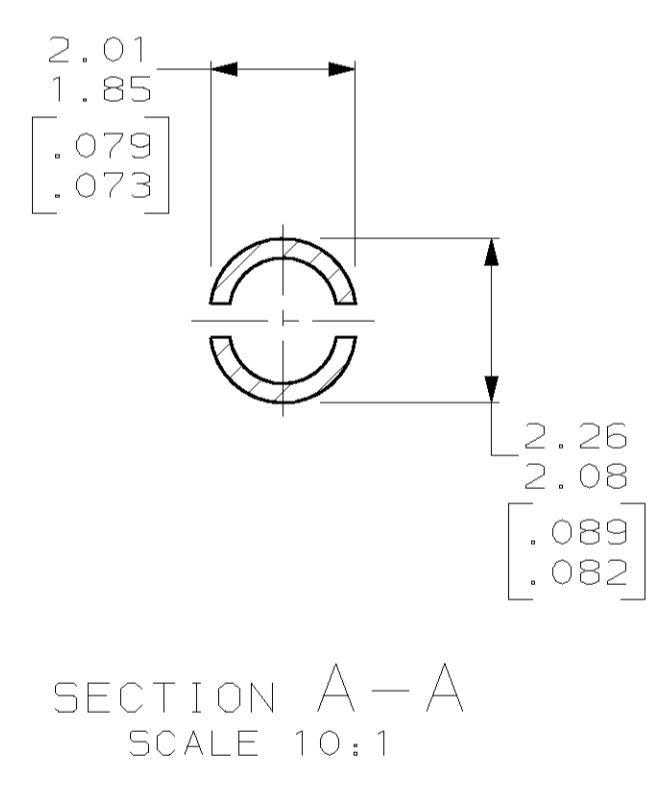
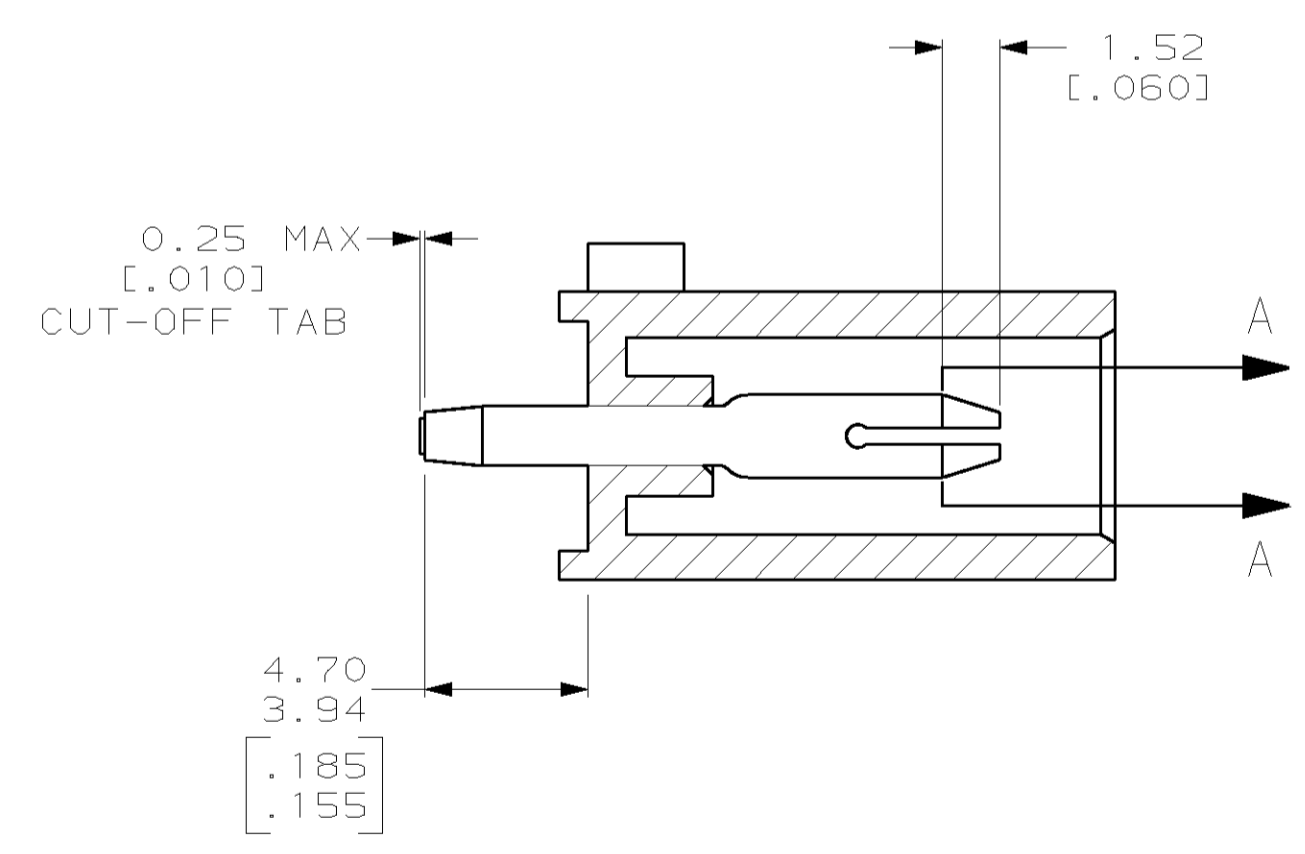


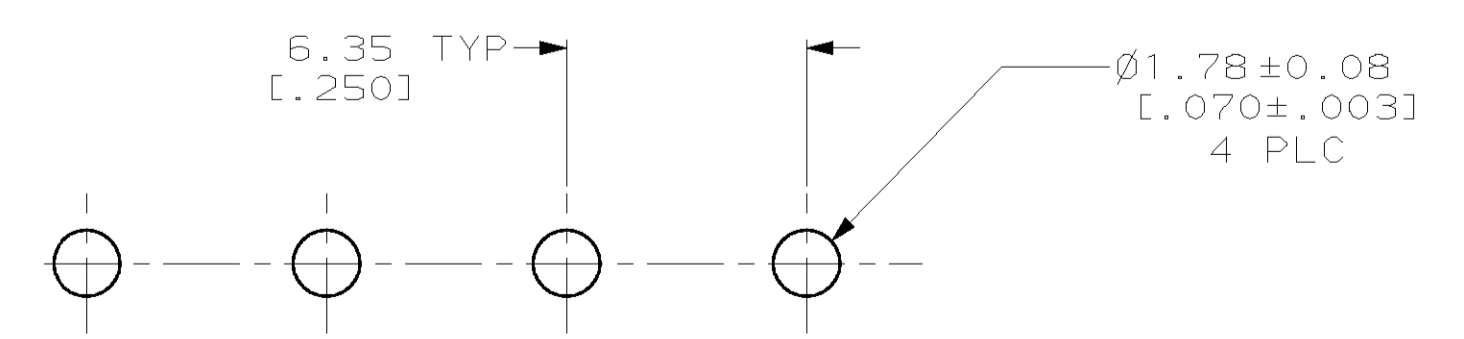
LOC	DIST	REVISIONS			
F	CHR	DESCRIPTION	DATE	ENR	APVD
CM	53	F	REVISED PER EC 063B-0360-00	14-JUL-00	KW KC



- PARTS COMPLY TO AMP SOLDERABILITY SPECIFICATION 109-11-3.
- CIRCUIT IDENTIFICATION CHARACTERS ARE ADJACENT TO THE INDICATED CAVITIES, BUT LOCATION AND ORIENTATION MAY DIFFER FROM PRINT.
- DIMENSIONS IN BRACKETS ARE IN INCHES.



3-DIMENSIONAL MODEL
NTS



RECOMMENDED MOUNTING HOLE PATTERN
FOR 1.57 [.062] THICK P.C. BOARD

PHOSPHOR BRONZE, PRE-TIN PIN CONTACT MATERIAL AND FINISH	NYLON, UL94-2, NATURAL HOUSING MATERIAL	770351-1 PART NO
THIS DRAWING IS A CONTROLLED DOCUMENT.		DWN S. LEWIS 10-05-98
DIMENSIONS: mm (INCHES)		CHK R. SWING 10-05-98
TOLERANCES UNLESS OTHERWISE SPECIFIED:		APVD M. TRULL 10-05-98
0 PLC ±	1 PLC ±	NAME AMP
2 PLC ±0.13 [.0051]	3 PLC ±	PRODUCT SPEC PIN HEADER ASSEMBLY, 4 CIRCUIT UNIVERSAL MATE-N-LOK™
4 PLC ±	ANGLES 40°-30°	APPLICATION SPEC
MATERIAL SEE TABLE	FINISH SEE TABLE	SIZE A1
CUSTOMER DRAWING		CAGE CODE 00779
		DRAWING NO 770351
		SCALE 5:1
		SHEET 1 OF 1
		REV F

