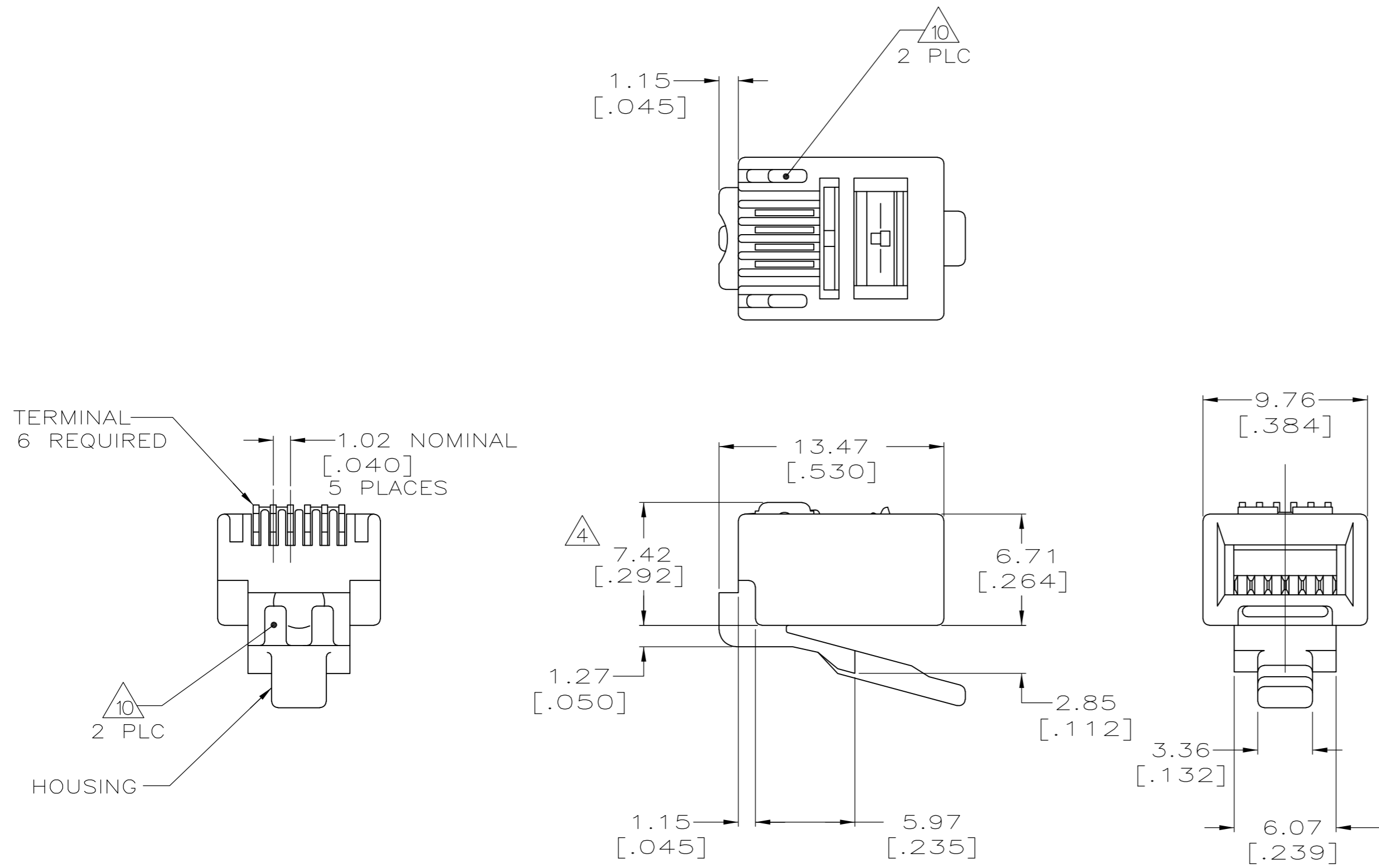


THIS DRAWING IS UNPUBLISHED. RELEASED FOR PUBLICATION
 © COPYRIGHT - By - ALL RIGHTS RESERVED.

LOC	DIST	REVISIONS					
HM	00	P	LTR	DESCRIPTION	DATE	DWN	APVD
		AA		REV PER ECO-12-012918	09JUL2012	JM	JG

- ① DIMENSIONS ARE MAXIMUM UNLESS OTHERWISE SPECIFIED.
- ② MATERIAL: HOUSING—POLYCARBONATE,CLEAR. TERMINAL—0.36[.014] THICK PHOSPHOR BRONZE PLATED WITH 1.27μm[.000050] THICK GOLD IN LOCALIZED GOLD PLATE AREA, OVER 2.54μm[.000100] THICK NICKEL UNDERPLATE.
- ③ PLUG WILL ACCEPT 26 OR 28 AWG STRANDED OR TINSEL WIRE HAVING AN INSULATION DIAMETER OF 0.89 – 0.99[.035 – .039] AND A MAXIMUM OVAL CABLE JACKET OF 2.29 × 6.61[.090 × .260].
- ④ TERMINATED DIMENSION 6.15[.242] MAXIMUM.
- ⑤ 10 ASSEMBLIES PER PACKAGE.
- ⑥ 10,000 ASSEMBLIES PER PACKAGE.
- ⑦ 1000 ASSEMBLIES PER PACKAGE.
- ⑧ 100 ASSEMBLIES PER PACKAGE.



SUPERSEDED BY 5-641337-4	⑤	6-641337-3
	⑧	5-641337-3
	⑦	5-641337-2
	⑥	5-641337-1
SUPERSEDED BY 5-641337-2	REELED ⑩	641337-1
	PACKAGED	PART NO

THIS DRAWING IS A CONTROLLED DOCUMENT.		DWN	9-3-93	YTP/JTA		TE Connectivity	
DIMENSIONS: mm [INCHES]		CHK	9-15-93	C.WHITT		NAME	
TOLERANCES UNLESS OTHERWISE SPECIFIED:		APVD	9-20-93	J.TONEY		MODULAR PLUG ASSEMBLY, 6 POSITION, LINE	
0 PLC ± -	①	PRODUCT SPEC	108-1163	SIZE	CAGE CODE	DRAWING NO	RESTRICTED TO
1 PLC ± -		APPLICATION SPEC	114-6016	A2	00779	C=641337	-
2 PLC ± -				WEIGHT			
3 PLC ± -				CUSTOMER DRAWING	SCALE	SHEET	REV
4 PLC ± -					4:1	1 of 1	AA
ANGLES ± -							
FINISH - ②							