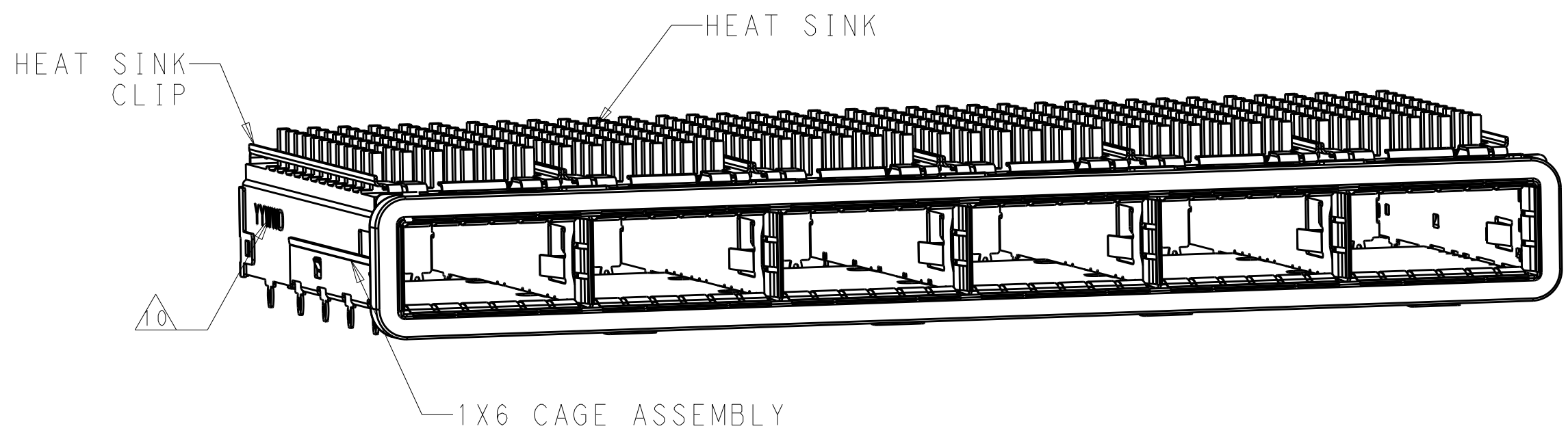
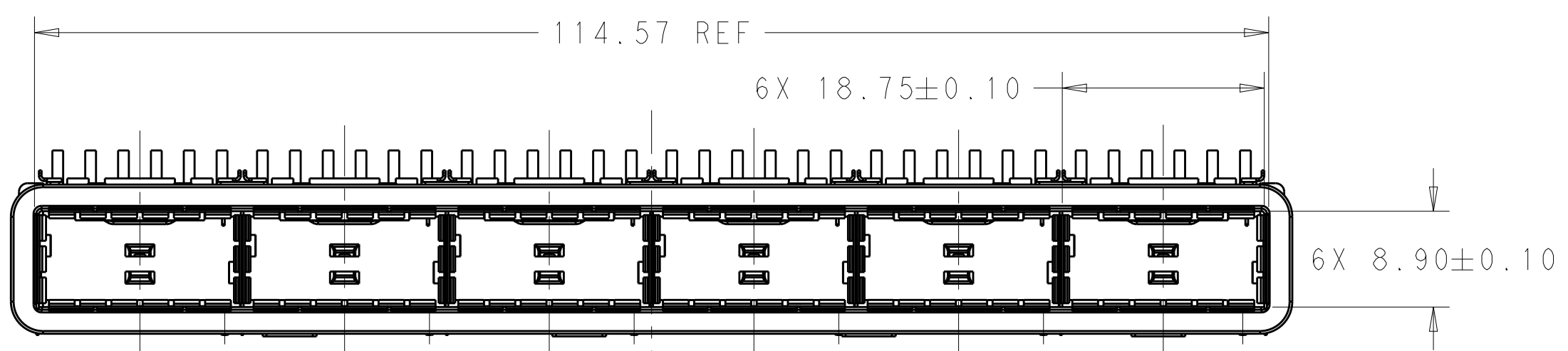


THIS DRAWING IS UNPUBLISHED. RELEASED FOR PUBLICATION 20
 © COPYRIGHT 20 BY - ALL RIGHTS RESERVED.

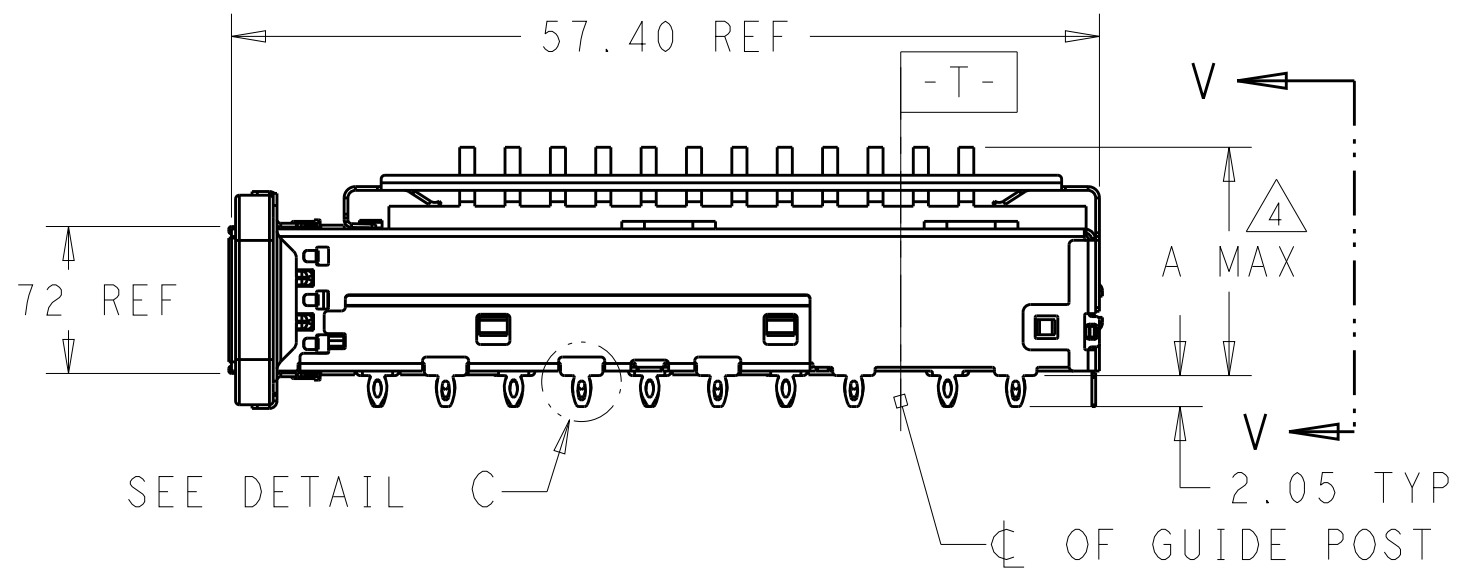
REVISIONS				
P	LTR	DESCRIPTION	DATE	APVD
1		PRELIMINARY	24OCT2013	JY



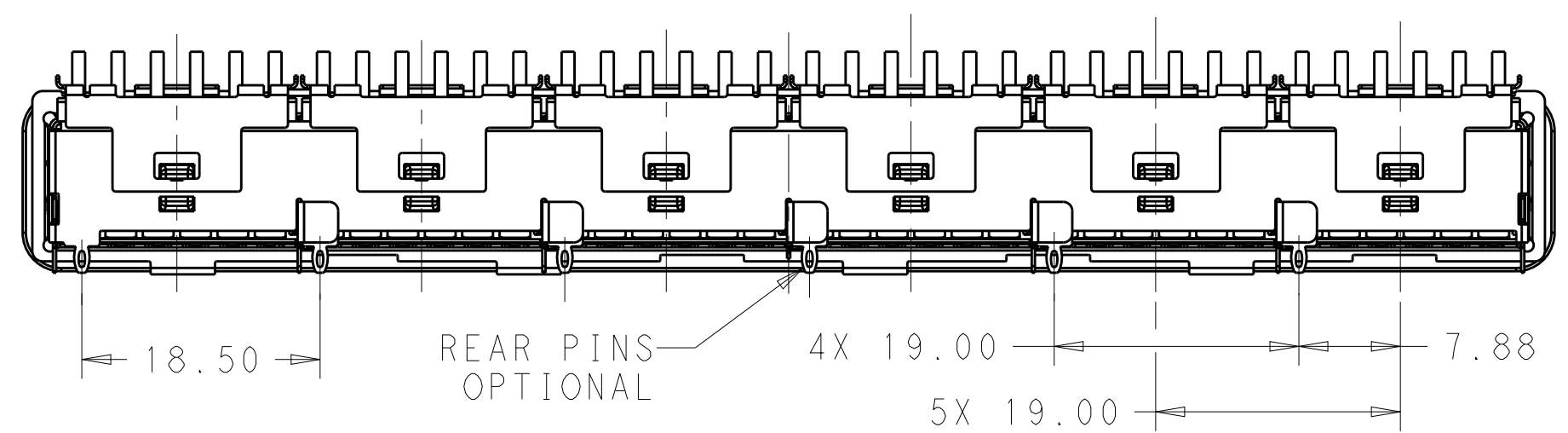
- COMPONENTS
 CAGE ASSEMBLY: NICKEL-SILVER ALLOY
 HEAT SINK: ALUMINUM/BLACK ANODIZE
 HEAT SINK CLIP: STAINLESS STEEL
 EMI SPRING: COPPER ALLOY/NICKEL PLATE
 EMI GASKET: PLATED FILLED SILICONE WITH 94 V-0
- REFERENCE APPLICATION SPECIFICATION 114-***** FOR RECOMMENDED DRILL HOLE DIAMETER AND PLATING THICKNESS
- DATUM AND BASIC DIMENSION ESTABLISHED BY CUSTOMER
- DIMENSION APPLIES WITH MODULE INSERTED IN CAGE
- HEAT SINKS, HEAT SINK CLIPS AND LIGHT PIPES ARE SHIPPED ASSEMBLED ON CAGE
- MINIMUM PC BOARD THICKNESS: SINGLE SIDED: 1.57 MIN
DOUBLE SIDED: 3.00 MIN
- DATUM -A- IS TOP SURFACE OF THE HOST BOARD.
- THESE HOLES ARE OPTIONAL WHEN THE REAR PINS ARE REMOVED.
- MATES WITH QSFP28 MSA COMPATIBLE TRANSCEIVER.
- DATE CODE (YYWWD) MARKED APPROXIMATELY AS SHOWN.



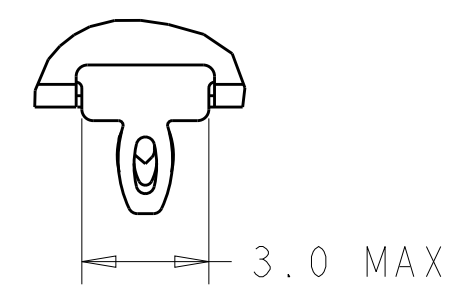
SCALE 2:1



SEE DETAIL C



SECTION V-V
SCALE 2:1



DETAIL C
SCALE 6:1

23.0	WITHOUT	NETWORKING	2170723-6
16.0	WITHOUT	SAN	2170723-5
13.7	WITHOUT	PCI	2170723-4
23.0	WITH	NETWORKING	2170723-3
16.0	WITH	SAN	2170723-2
13.7	WITH	PCI	2170723-1
DIM A	REAR PINS OPTIONAL	APPLICATION	PART NUMBER

PRELIMINARY PART- NOT RELEASED FOR PRODUCTION

THIS DRAWING IS A CONTROLLED DOCUMENT. DWN 24OCT2013
 JASON YANG
 CHK -
 APVD -

STE TE Connectivity

PRELIMINARY

CAGE ASSEMBLY, 1X6 QSFP28 WITH HEAT SINKS THRU BEZEL, GASKET

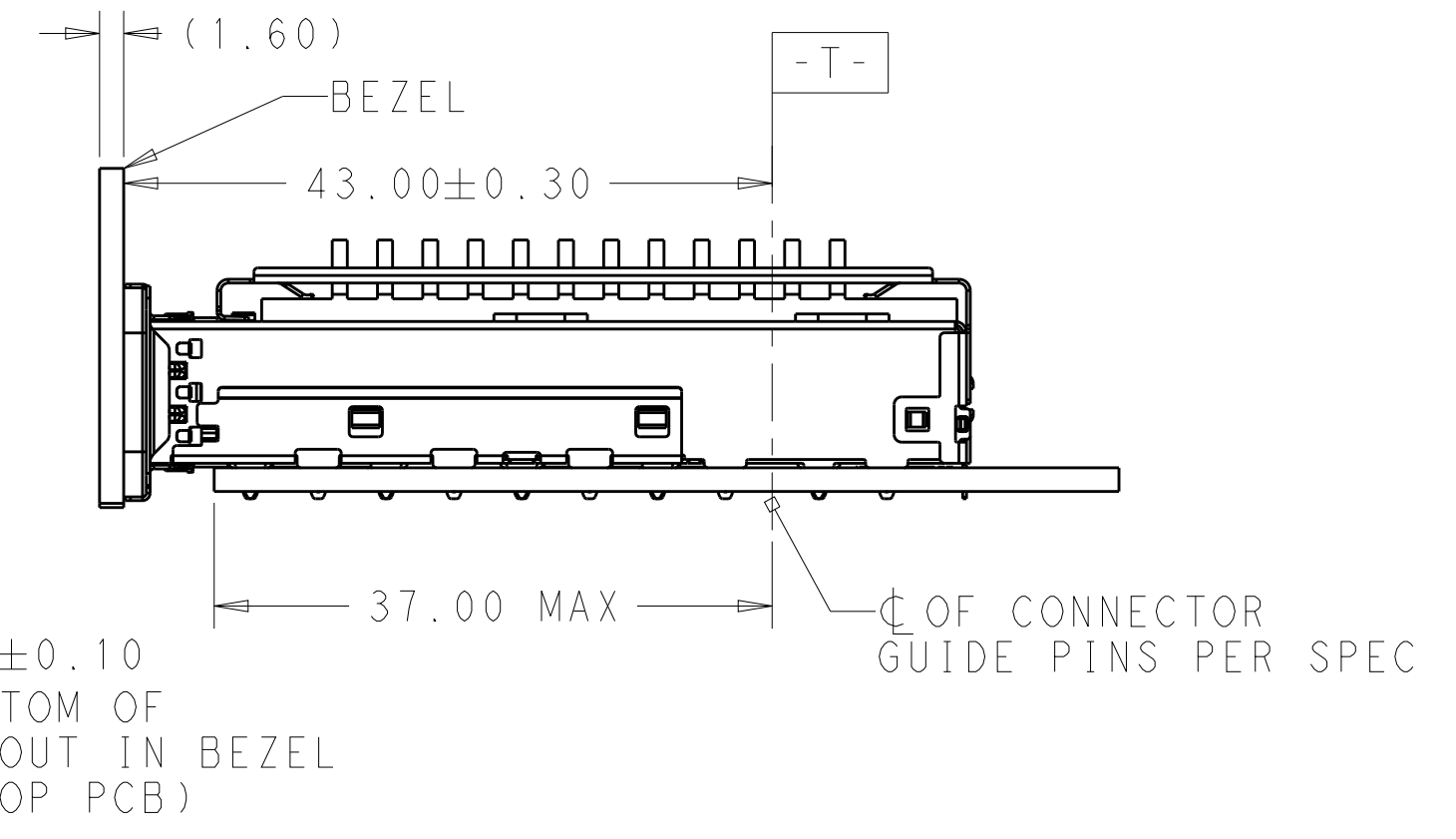
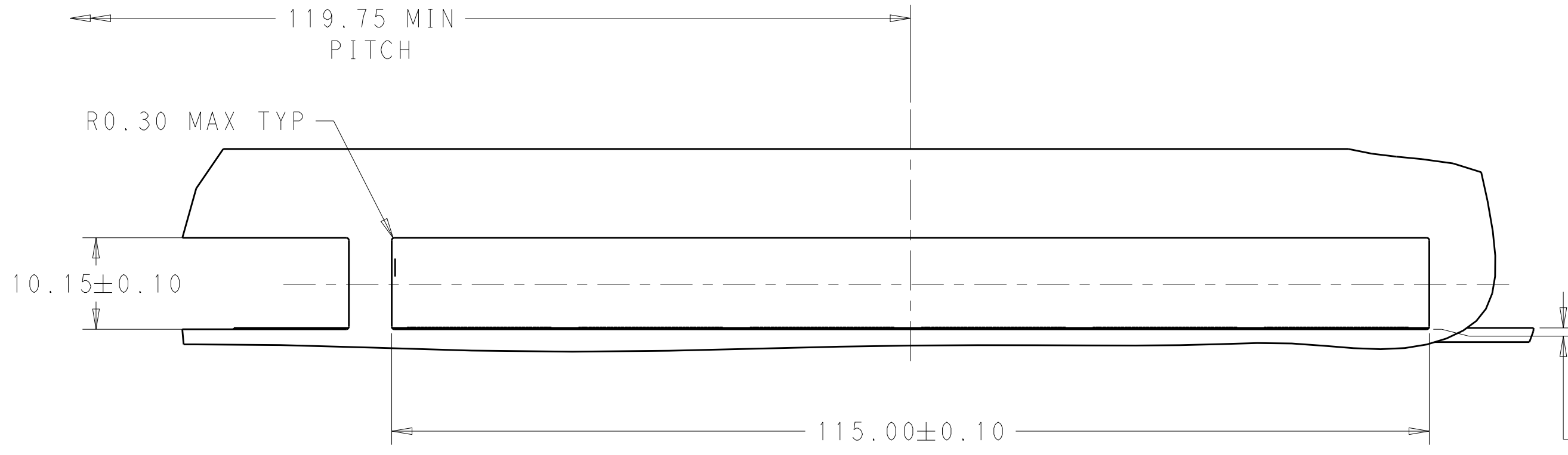
NAME
 PRODUCT SPEC
 APPLICATION SPEC
 SIZE
 CAGE CODE
 DRAWING NO
 RESTRICTED TO

MATERIAL SEE NOTES
 TOLERANCES UNLESS OTHERWISE SPECIFIED:
 0 PLC ±
 1 PLC ±0.25
 2 PLC ±0.2
 3 PLC ±
 4 PLC ±
 ANGLES ±
 FINISH SEE NOTES

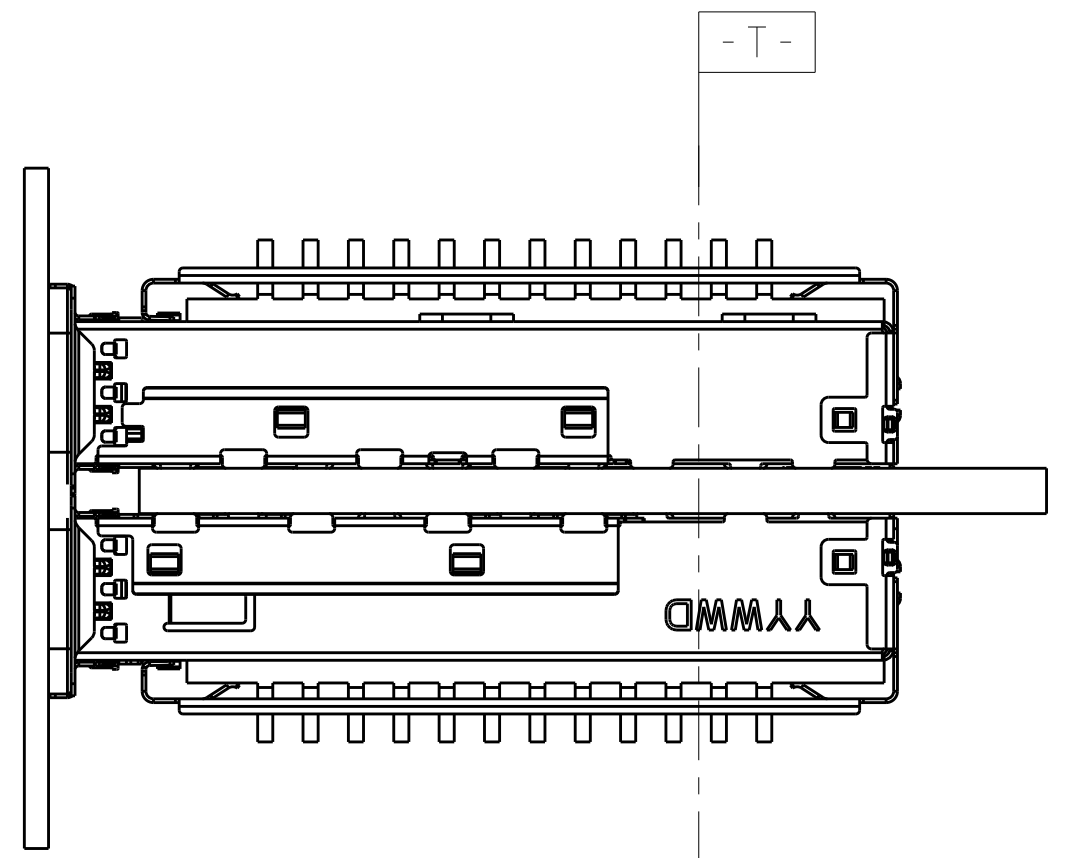
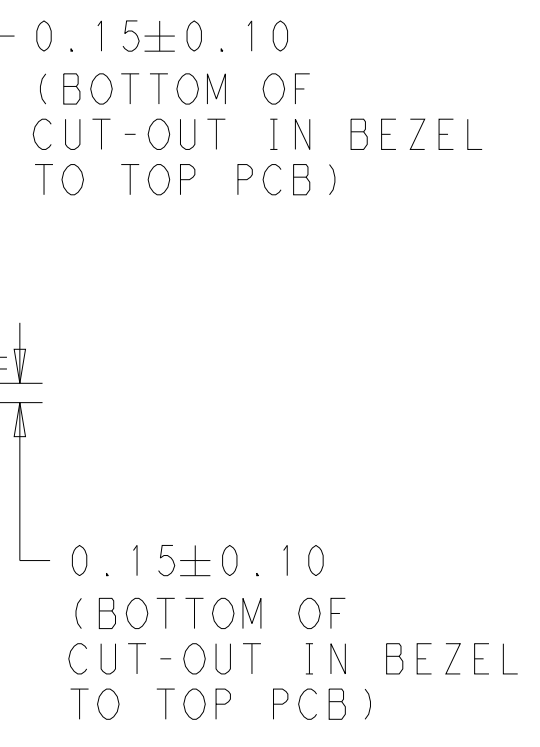
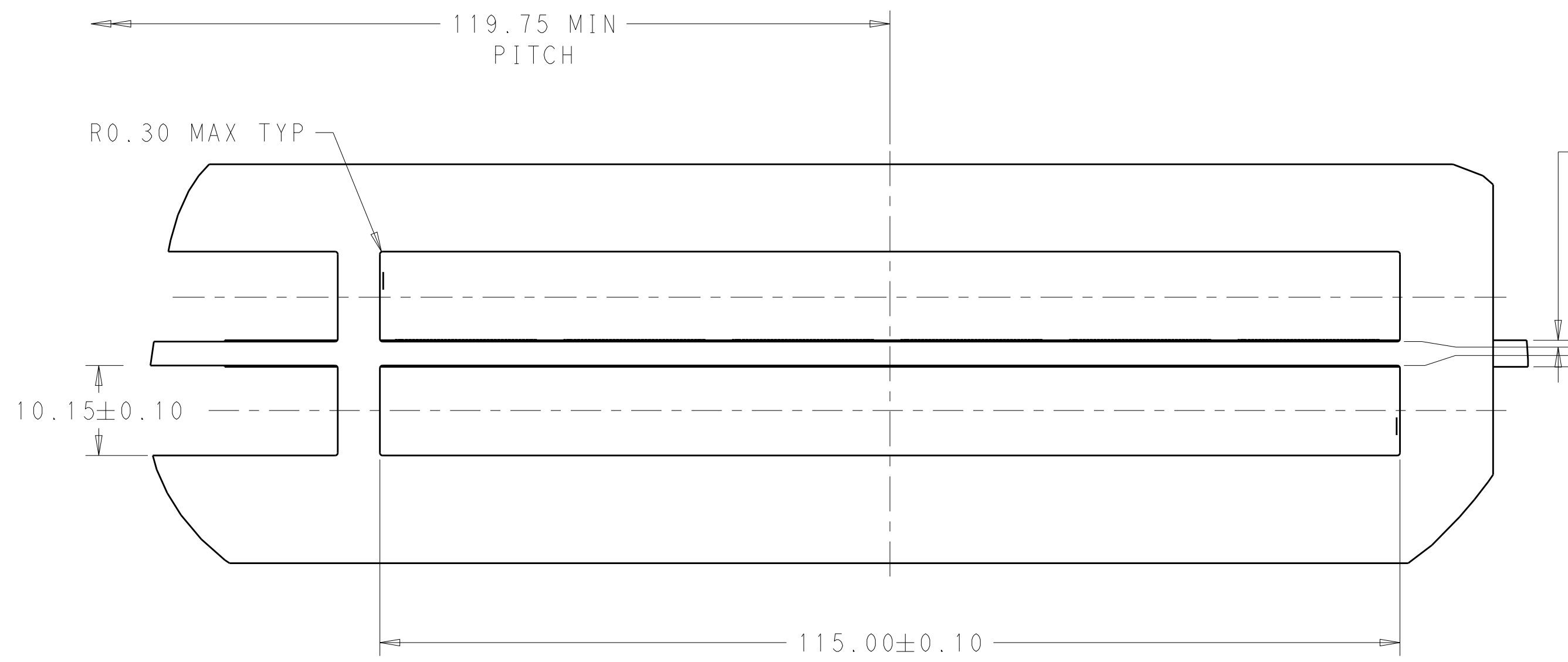
WEIGHT
 Customer Drawing
 SCALE 3:1
 SHEET 1 OF 5
 REV 1

THIS DRAWING IS UNPUBLISHED. RELEASED FOR PUBLICATION 20
 © COPYRIGHT 20 BY - ALL RIGHTS RESERVED.

REVISIONS				
P	LTR	DESCRIPTION	DATE	APVD
-	-	SEE SHEET 1	-	-



SINGLE SIDE MOUNTING
SCALE 2:1



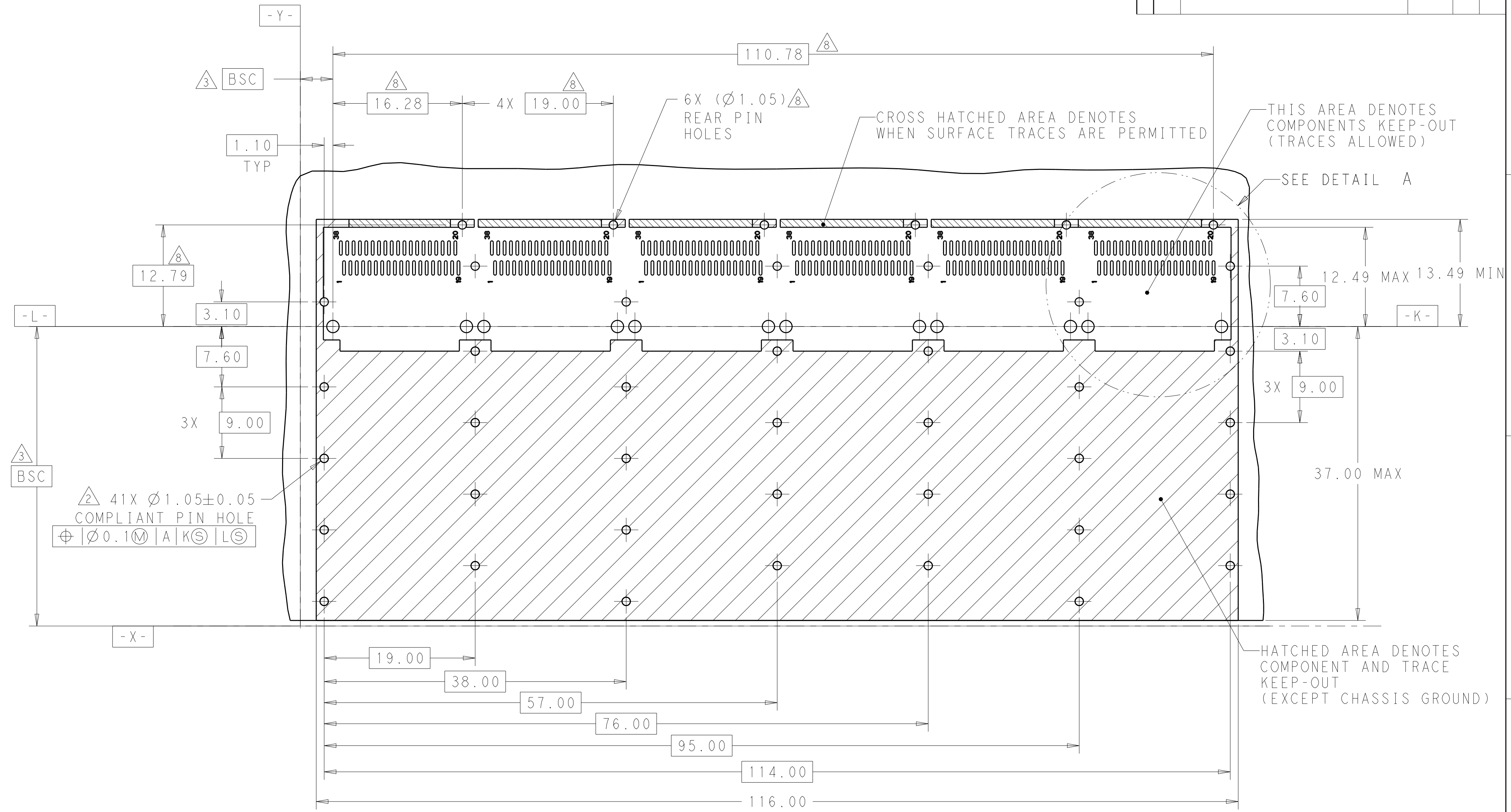
BELLY TO BELLY MOUNTING
SCALE 2:1

PRELIMINARY PART- NOT RELEASED FOR PRODUCTION

THIS DRAWING IS A CONTROLLED DOCUMENT.		DWN 24OCT2013 JASON YANG	TE Connectivity	
DIMENSIONS: mm		CHK -		
TOLERANCES UNLESS OTHERWISE SPECIFIED:		APVD -	CAGE ASSEMBLY, 1X6 QSFP28 WITH HEAT SINKS THRU BEZEL, GASKET	
0 PLC ±	1 PLC ±0.25	PRODUCT SPEC -	SIZE	
2 PLC ±0.2	3 PLC ±	APPLICATION SPEC -	CAGE CODE	
4 PLC ±	ANGLES ±	WEIGHT -	DRAWING NO	
MATERIAL SEE NOTES	FINISH SEE NOTES	Customer Drawing	A200779	
		SCALE 3:1	SHEET 2 OF 5	
		REV 1	RESTRICTED TO -	

THIS DRAWING IS UNPUBLISHED. RELEASED FOR PUBLICATION 20
 © COPYRIGHT 20 BY - ALL RIGHTS RESERVED.

REVISIONS				
P	LTR	DESCRIPTION	DATE	APVD
-	-	SEE SHEET 1	-	-

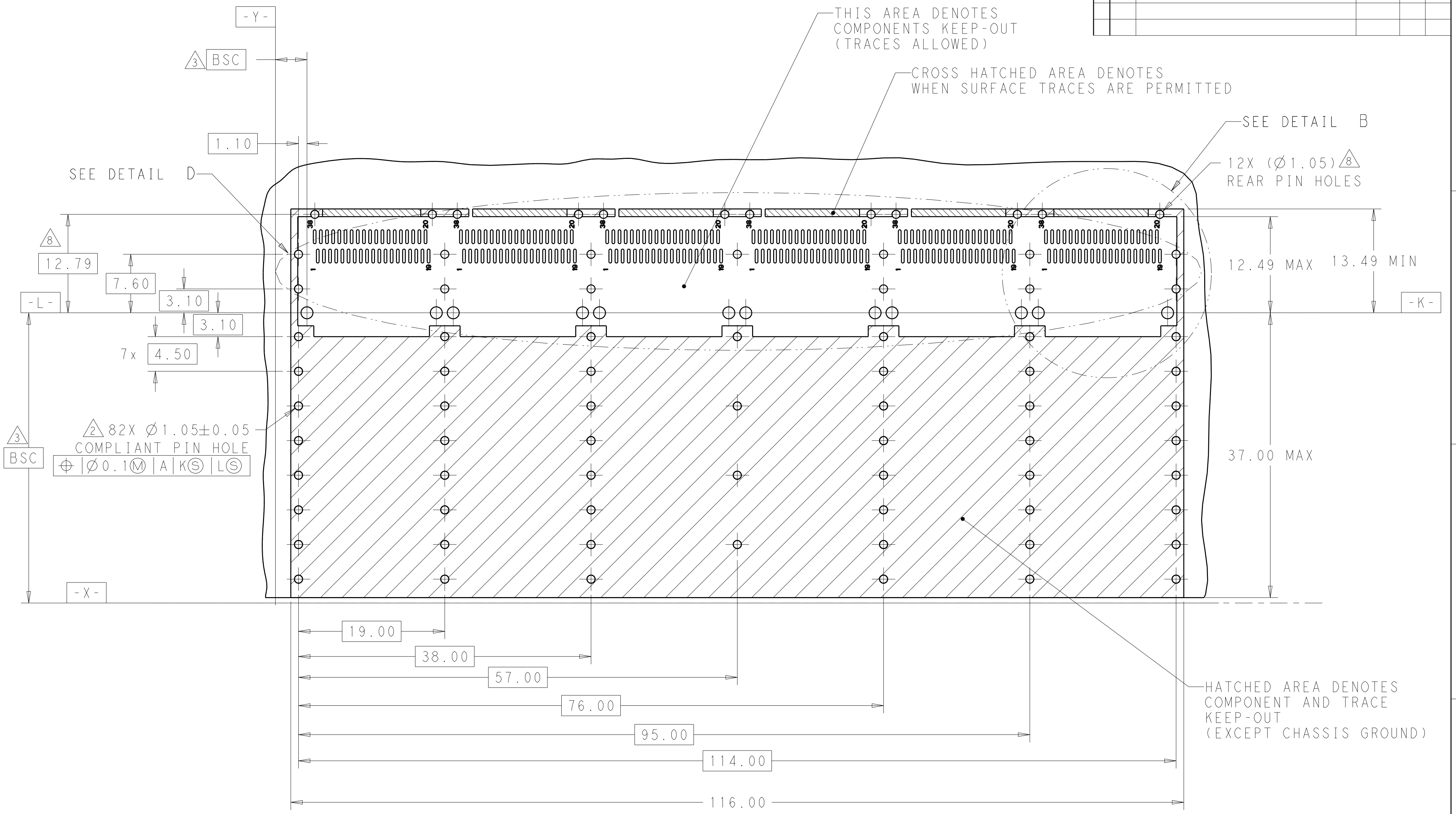


RECOMMENDED PCB LAYOUT
 SINGLE TYPE
 PCB TOLERANCE: ±0.05
 SCALE 3:1

THIS DRAWING IS A CONTROLLED DOCUMENT.		DWN 24OCT2013 JASON YANG	TE Connectivity	
DIMENSIONS: mm		CHK -		
TOLERANCES UNLESS OTHERWISE SPECIFIED:		APVD -	PRODUCT SPEC	CAGE ASSEMBLY, 1X6 QSFP28 WITH HEAT SINKS THRU BEZEL, GASKET
0 PLC ±		APVD -	APPLICATION SPEC	SIZE CAGE CODE DRAWING NO RESTRICTED TO
1 PLC ±0.25		WEIGHT -	APVD -	A200779 C-2170723
2 PLC ±0.2		Customer Drawing	APVD -	SCALE 3:1 SHEET 3 OF 5 REV 1
3 PLC ±			APVD -	
4 PLC ±			APVD -	
ANGLES ±			APVD -	
FINISH			APVD -	
MATERIAL SEE NOTES			APVD -	
SEE NOTES			APVD -	

THIS DRAWING IS UNPUBLISHED. RELEASED FOR PUBLICATION 20
 © COPYRIGHT 20 BY - ALL RIGHTS RESERVED.

REVISIONS				
P	LTR	DESCRIPTION	DATE	APVD
-	-	SEE SHEET 1	-	-



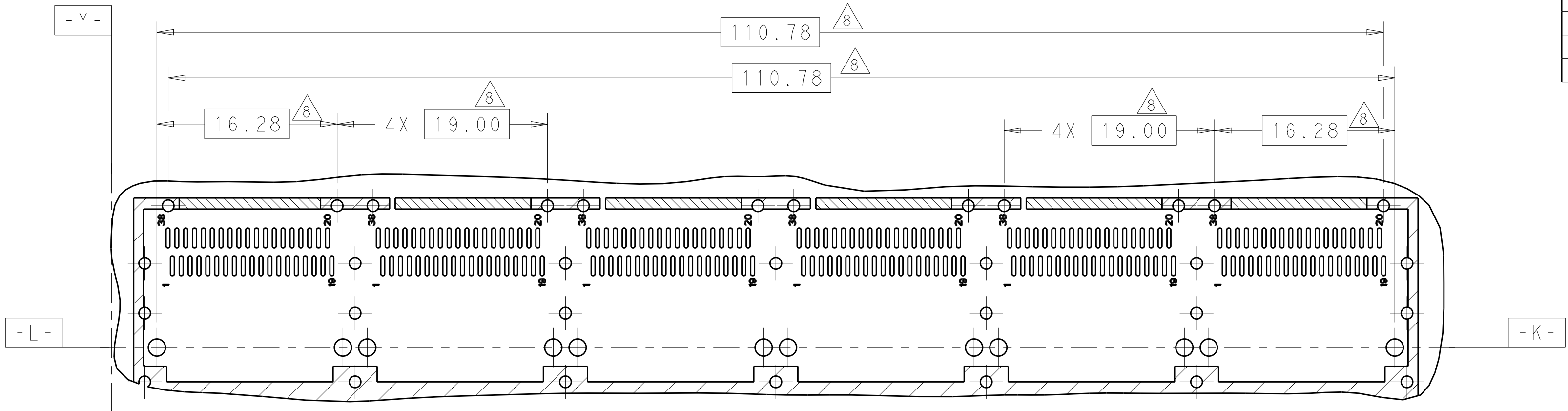
RECOMMENDED PCB LAYOUT
 BELLY TO BELLY TYPE
 PCB TOLERANCE: ±0.05
 SCALE 3:1

PRELIMINARY PART- NOT RELEASED FOR PRODUCTION

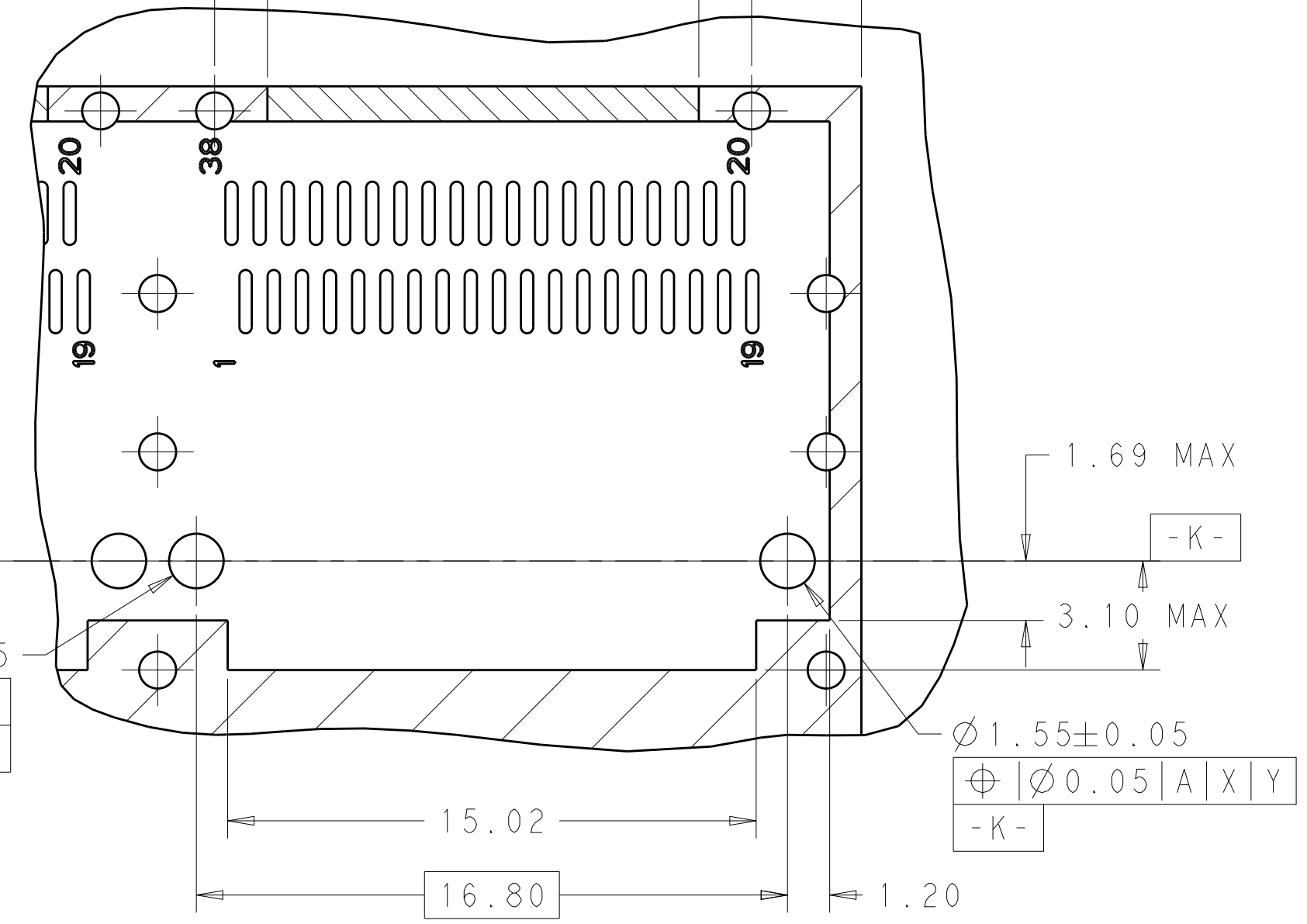
THIS DRAWING IS A CONTROLLED DOCUMENT.		DWN 24OCT2013 JASON YANG	TE Connectivity	
DIMENSIONS: mm		CHK -		
TOLERANCES UNLESS OTHERWISE SPECIFIED:		APVD -	NAME	
0 PLC ±	1 PLC ±0.25	PRODUCT SPEC -	CAGE ASSEMBLY, 1X6 QSFP28 WITH HEAT SINKS THRU BEZEL, GASKET	
2 PLC ±0.2	3 PLC ±	APPLICATION SPEC -	SIZE	CAGE CODE
4 PLC ±	ANGLES ±	WEIGHT -	A2	00779
FINISH	SEE NOTES	Customer Drawing	DRAWING NO	RESTRICTED TO
			C-2170723	
			SCALE 3:1	SHEET 4 OF 5
				REV 1

THIS DRAWING IS UNPUBLISHED. RELEASED FOR PUBLICATION 20
 © COPYRIGHT 20 BY - ALL RIGHTS RESERVED.

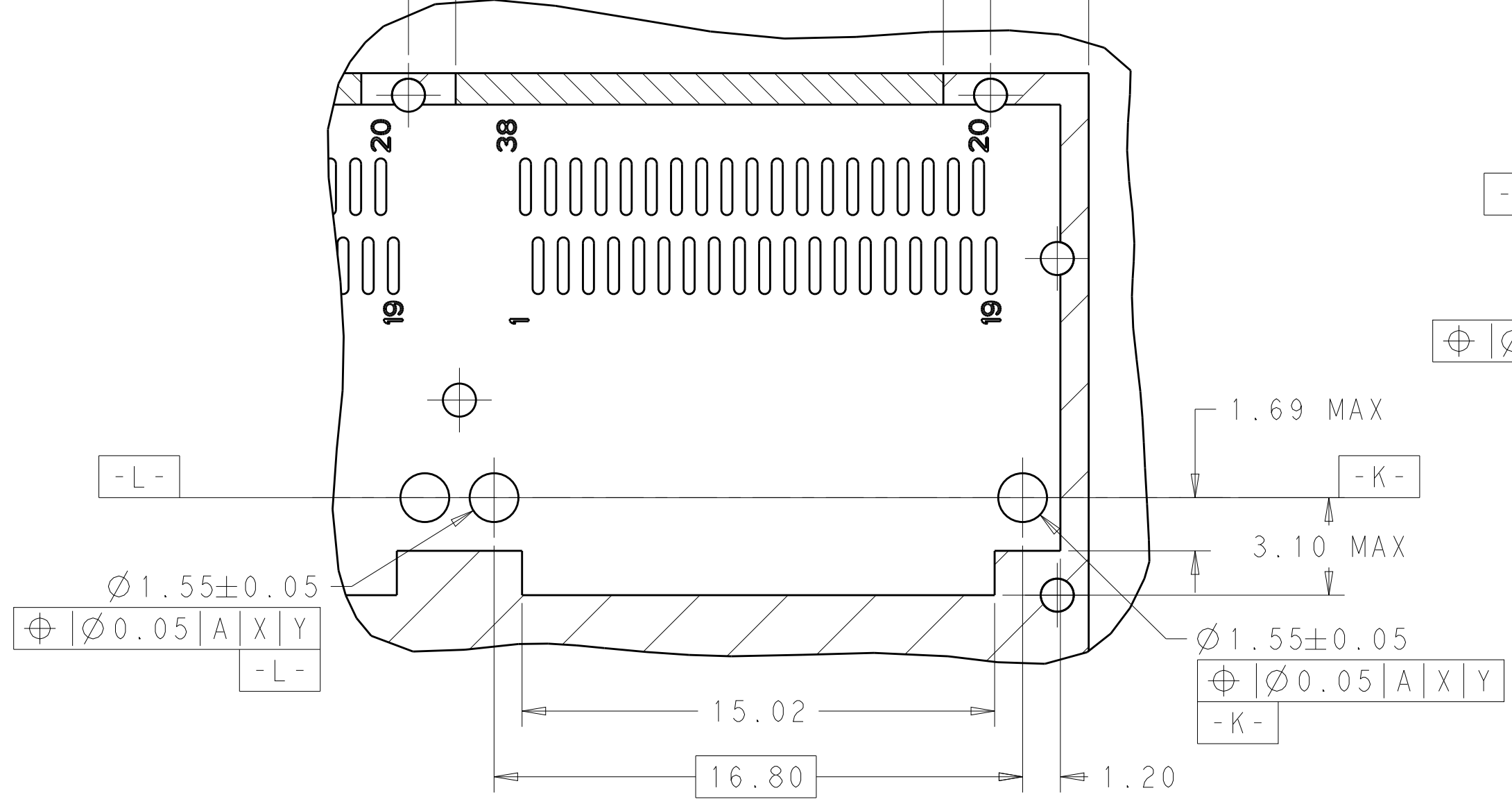
REVISIONS				
P	LTR	DESCRIPTION	DATE	APVD
-	-	SEE SHEET 1	-	-



DETAIL D
SCALE 3:1



DETAIL B
SCALE 6:1



DETAIL A
SCALE 6:1

PRELIMINARY PART- NOT RELEASED FOR PRODUCTION

THIS DRAWING IS A CONTROLLED DOCUMENT.		DWN 24OCT2013 JASON YANG	TE Connectivity	
DIMENSIONS: mm		CHK -		
TOLERANCES UNLESS OTHERWISE SPECIFIED:		APVD -	PRODUCT SPEC	CAGE ASSEMBLY, 1X6 QSFP28 WITH HEAT SINKS THRU BEZEL, GASKET
0 PLC ±		APPLICATION SPEC	SIZE	A200779
1 PLC ±0.25		WEIGHT	CAGE CODE	C-2170723
2 PLC ±0.2		Customer Drawing	DRAWING NO	RESTRICTED TO
3 PLC ±		SCALE 3:1	SHEET 5 OF 5	REV 1
4 PLC ±				
ANGLES ±				
FINISH				
MATERIAL SEE NOTES				
SEE NOTES				