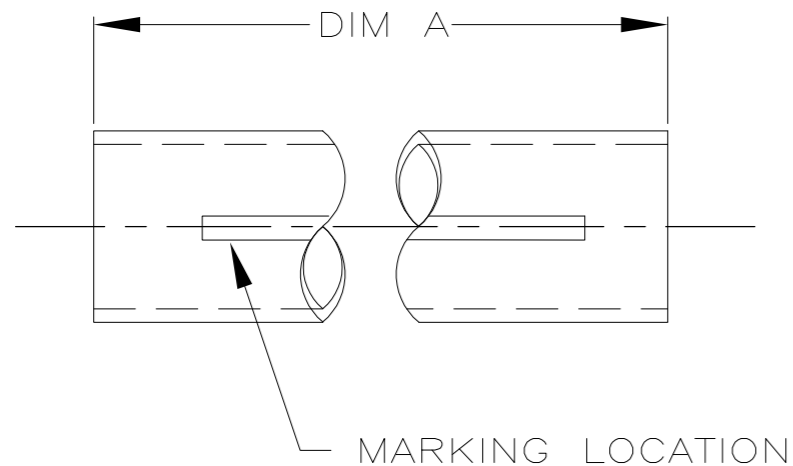
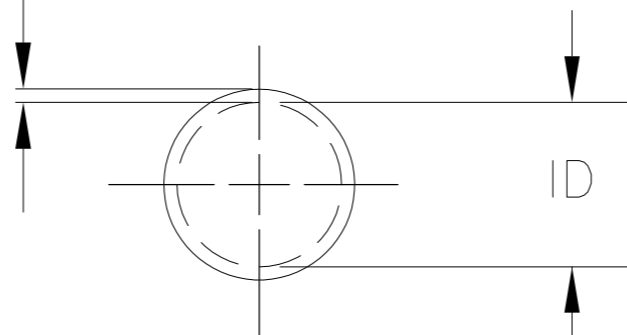


REVISIONS			
LTR	DESCRIPTION	DATE	APPROVED
D	REVISED PER DCR R030227	20-MAY-03	JKUSTER
E	REVISED PER DCR R050203	17-MAY-05	JKUSTER
E1	REVISED PER ECO-09-021510	14SEP09	KK/AEG



.060 [1,52] NOMINAL WALL THICKNESS FULLY RECOVERED



.400 [10,16] MINIMUM EXPANDED  
.150 [3,81] MAXIMUM RECOVERED

1 MATERIAL: BLACK POLYOLEFIN TUBING, HEAVY WALL, FLAME RETARDANT, NO SEALANT.

2 PRODUCT IS MARKED "AMP 608950 .40-.15/10.2-3.8 mm 8-6 AWG" WITH DATE CODE IN WHITE CHARACTERS.

3 WEIGHT PER LINEAR FOOT IS 13.6 GRAMS/.03 POUNDS.

4 OBSOLETE PARTS: OBSOLETE CIS STREAMLINING PER D.RENAUD/D.SINISI

		2	1.50 ± .13 [38,10 ± 3,30]	608950-6
4	OBSOLETE	2	1200.00 - 1212.00 [30480,00 - 30784,80]	608950-4
	OBSOLETE	2	300.00 - 312.00 [76200,00 - 7924,80]	608950-3
4	OBSOLETE	2	48.00 - 49.00 [1219.20 - 1244.60]	608950-2
		2	12.00 ± .19 [304,80 ± 4,83]	608950-1
	MARKING		DIMENSION A	PART NUMBER

### SPECIFICATION CONTROL DRAWING

UNLESS OTHERWISE SPECIFIED DIMENSIONS ARE IN INCHES. METRIC DIMENSIONS ARE IN BRACKETS.  DECIMALS .XXX ± [ mm] .XX ± [ mm] ANGLES .X ± WEIGHT lbs [ g]	DRAWN	UNGUYEN	05/17/05	Tyco Electronics Corporation 300 Constitution Drive Menlo Park, CA. USA 94025 		
	CHECKED					
	APPROVED	JKUSTER	05/17/05	TITLE		
	APPROVED			TUBING, HEAT SHRINK AMPSULATION, FRHWP31, .40 DIA.		
	CAD NAME	R050203		SIZE	CODE IDENT. NO.	DWG. NO.
	THIRD ANGLE PROJECTION			B	06090	C-608950
				DO NOT SCALE THIS DRAWING		SHEET 1 OF 1