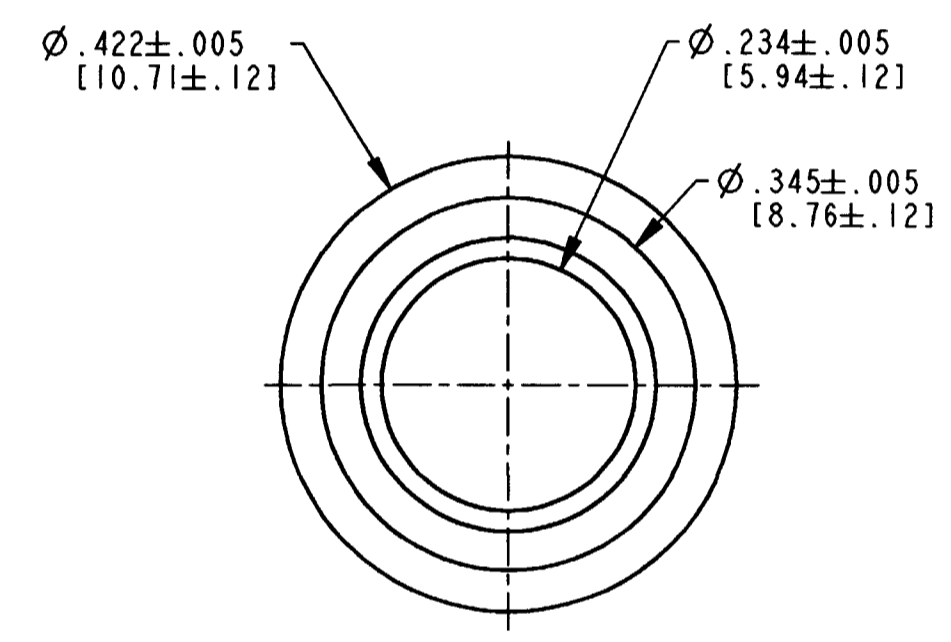
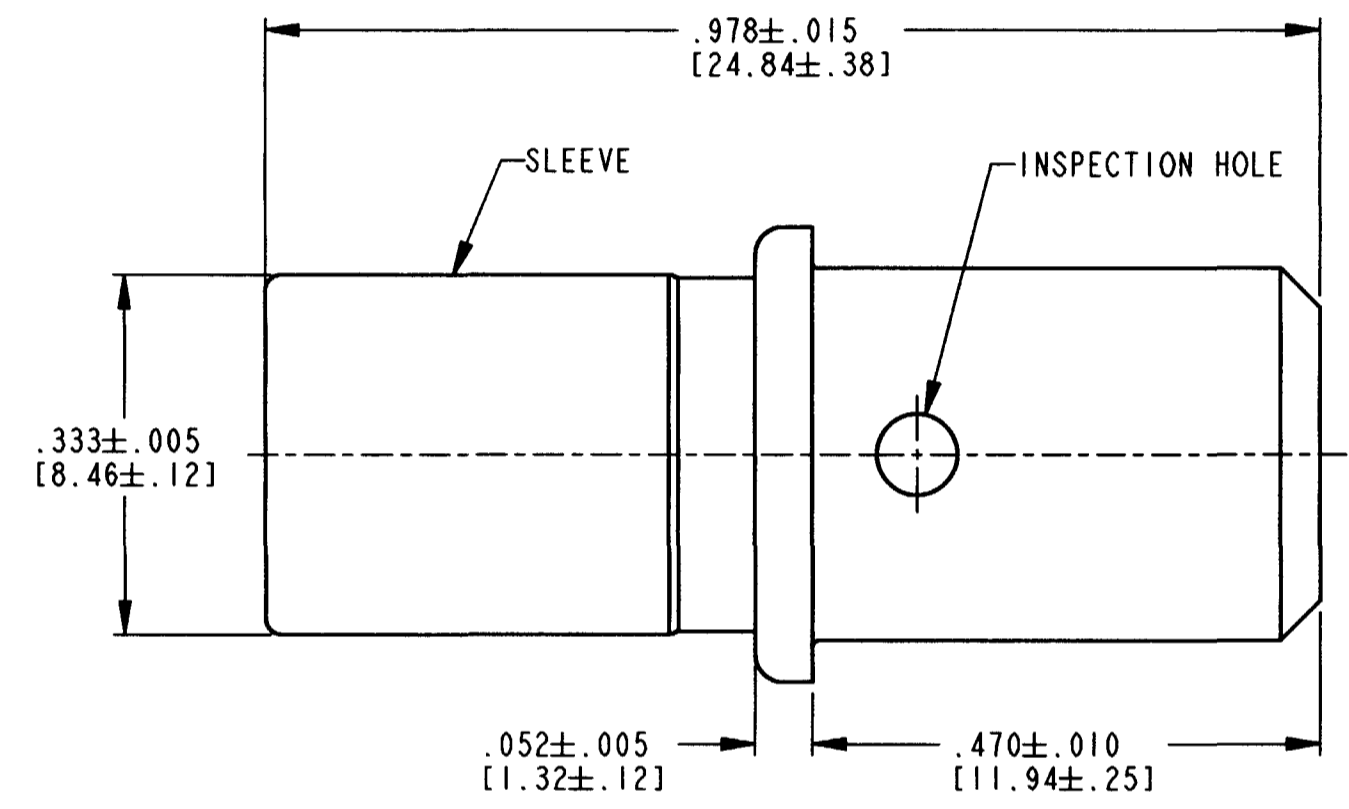


REV	NC	0462-203-04**	REVISIONS			
			SYM	DESCRIPTION	DATE	APPROVED
			NC	NEW RELEASE PER E.O. P17008	12-19-00	RDR



4. FOR CONTACT PERFORMANCE AND APPLICATION CHARACTERISTICS SEE DRAWING 0425-015-0000.
 3. THIS CONTACT MAY BE CRIMPED WITH HDP-400 POWER CRIMPER OR HDT-04-08 HAND TOOL. SEE DRAWING 0425-205-0000 FOR APPLICABLE WIRE SIZE AND CRIMP INFORMATION.
 2. WHEN ** = 141: PLATING IS NICKEL.
 1. DIMENSIONS ARE IN INCHES [mm].
- NOTES: UNLESS OTHERWISE SPECIFIED

SIGNATURE & DATE		CONTACT SOCKET SIZE 4	CP	MATL. CODE
DR	D. MEYER 11/29/00		The Deutch Company DEUTSCH I.P.D. 3850 INDUSTRIAL AVE. HEMET, CALIF. 92545	
CHK	S. B. Fred 12/18/00		B 0462-203-04**	
PE	D. Meyer 1/9/01			
APPD	D. Meyer 1/9/01	DWG SIZE	CODE 11139	SHEET OF
SCALE	NONE	ENVELOPE		