

TDK Corporation

Piezo & Protection Device B. Grp.

3-9-1, Shibaura, Minato-ku, Tokyo,

108-0023, Japan

TEL. 03-6852-7300



NTCG

NTC Chip Thermistor
Temperature Sensing Device

PRODUCT:NTCG164BH472JTDS

This product is compliant with the
AEC-Q200 standard.

PAGE NO.: 1 OF 1

Dimensions and construction

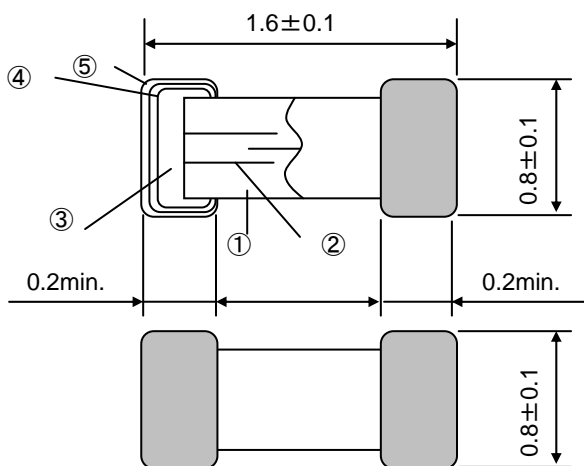


TABLE1. Parts List

	Part Name	Material
①	Element	Manganese, Nickel-oxide base Ceramics materials
②	Inner electrodes	Palladium
③	Terminal	Silver base
④	electrodes	Nickel-plating
⑤		Tin-plating

Operating temperature range

-40 ~ +125°C

TABLE 2. Electric Performance:

Item	Symbol	Specification
Nominal resistance and tolerance	R25	4.7kΩ ± 5%
B value and tolerance	B25/85	4100K ± 3%
Maximum rated power (condition: chip)	P25	100 mW / 25°C in still air

TABLE 3. Resistance - Temperature Characteristics (condition: chip in silicone oil)

Temp (°C)	Min (kΩ)	Nom (kΩ)	Max (kΩ)	Temp (°C)	Min (kΩ)	Nom (kΩ)	Max (kΩ)	Temp (°C)	Min (kΩ)	Nom (kΩ)	Max (kΩ)
-40.0	153.8	180.7	211.7	20.0	5.583	5.917	6.256	80.0	0.493	0.553	0.619
-35.0	110.6	128.5	149.0	25.0	4.465	4.700	4.935	85.0	0.416	0.469	0.528
-30.0	80.37	92.51	106.2	30.0	3.547	3.758	3.973	90.0	0.353	0.400	0.452
-25.0	59.07	67.35	76.59	35.0	2.836	3.025	3.219	95.0	0.301	0.342	0.389
-20.0	43.87	49.56	55.84	40.0	2.283	2.450	2.623	100.0	0.257	0.294	0.336
-15.0	32.90	36.84	41.14	45.0	1.849	1.996	2.151	105.0	0.221	0.254	0.291
-10.0	24.91	27.65	30.62	50.0	1.506	1.636	1.773	110.0	0.190	0.220	0.253
-5.0	19.02	20.94	23.00	55.0	1.234	1.348	1.470	115.0	0.165	0.191	0.221
0.0	14.66	16.01	17.44	60.0	1.016	1.117	1.225	120.0	0.143	0.166	0.193
5.0	11.38	12.34	13.33	65.0	0.842	0.930	1.025	125.0	0.125	0.146	0.170
10.0	8.912	9.583	10.28	70.0	0.701	0.779	0.863				
15.0	7.028	7.503	7.989	75.0	0.586	0.655	0.729				