

PART NUMBER	REV	FIRST USED
466910-1	H	463345-1
466910-2	J	854040-3

OBSOLETE

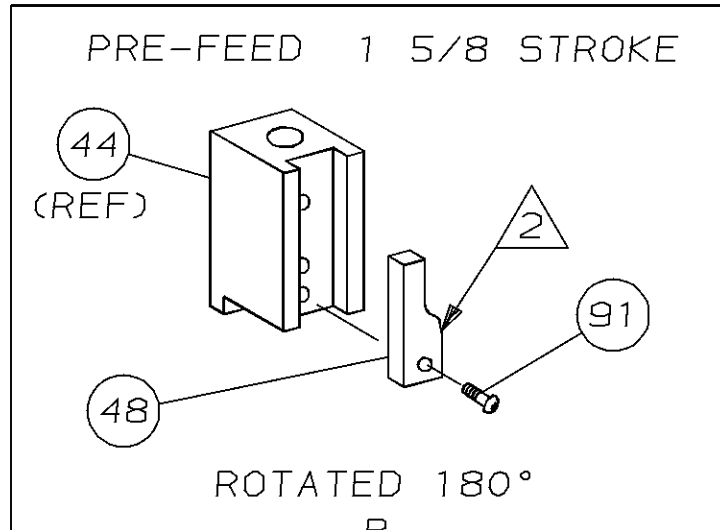
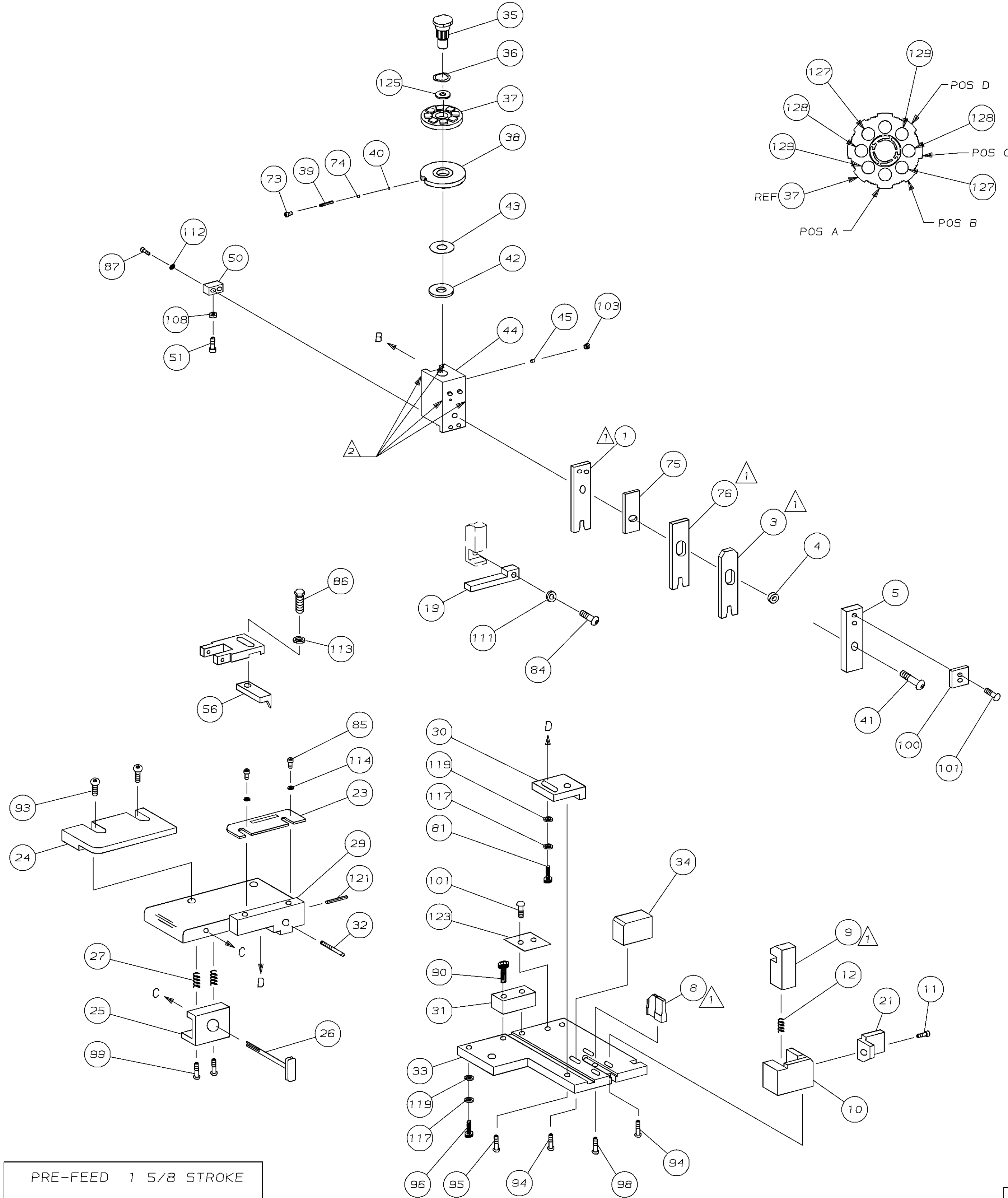
TERMINAL NAME:		CRIMPING DATA		
AMP LEAF	VISIBLE PAD LTR	CRIMP HEIGHT	WIRE SIZE	
583361	A	NOT	USED	
583271	B	.035 ±.002	22	
583555	C	.044 ±.002	18	
583977	D	.038 ±.002	20	
60030				
	CRIMP	SIZE	TYPE	RANGE
	WIRE	.070	F	22-18
	INSUL	.100	0	.055-.090
	FEED	.350	APPL INST SEE CUSTOMER MANUAL	SET UP GAGE NONE
				LAYOUT 285
			WIRE STRIP LENGTH -	

QTY	REV	DESCRIPTION	PART NO	ITEM NO
2	-	C	5-354779-2	PIN, WIRE DISC (.3250)D 129
				128
2	-	C	4-354779-6	PIN, WIRE DISC (.3220)B 127
2	-	C	3-354779-4	PIN, WIRE DISC (.3160)A 126
1	-	A	986950-1	WASHER, FLAT PRECISION 125
				124
1	-	B	690701-2	PLATE, SERIAL NO. 123
				122
1	-	A	4-21028-0	PIN,SLT SPR(φ.093x.75)ST GDE PL 121
				120
2	-	A	21899-2	WASHER,FLAT(#10)S G ADJ BLK 119
				118
2	-	A	21024-5	WASHER, LOCK (#10)ADJ BLOCK 117
				116
				115
2	-	A	21024-2	WASHER,LOCK(#4)FRONT STP GUIDE 114
REF	-	A	21024-4	WASHER,LOCK(#8)FEED FINGER 113
2	-	A	21024-4	WASHER,LOCK(#8)DEP-HOLD 112
REF	-	A	21024-4	WASHER,LOCK(#8)STRIPPER 111
				110
				109
1	-	A	21018-5	NUT, HEX(#6)HOLD DOWN 108
				107
				106
				105
				104
1	-	A	21009-2	SCR,SKT SET(1/4-20x.25 LW)RAM 103
				102
4	-	A	21017-2	SCR,DRIVE(#2x.19)ID PLATE 101
1	-	B	819347-1	PLATE, IDENTIFICATION 100
2	-	A	3-21002-0	SCR,BHC(10-32x.88)DRAG 99
1	-	A	22733-8	SCR,BHC(8-32x.38 LW)ANVIL 98
				97
1	-	A	3-21000-8	SCR,SHC(10-32x.88)MOUNTING 96
1	-	A	2-22733-1	SCR,BHC(10-32x.50)SG ADJ BLK 95
4	-	A	22733-9	SCR,BHC(8-32x.50)SHEAR-TERM SUP 94
2	-	A	2-21002-2	SCR,BHC(8-32x.50)R STP GDE 93
				92
1	-	A	1-21002-7	SCR,SHC(6-32x.50)CAM 91
2	-	A	2-21000-7	SCR,SHC(8-32x.50)SCR BLK 90
				89
				88
				87
REF	-	A	2-22603-0	SCR,HEX HD(8-32x.31)FEED FINGER 86
2	-	A	1-21000-3	SCR,SHC(4-40x.25)F ST GUIDE 85
REF	-	A	22733-9	SCR,BHC(8-32x.50 SL)STRIPPER 84
				83
				82
1	-	A	3-21000-4	SCR,SHC(10-32x.38)SG ADJ BL 81
				80
				79
				78
2	-	B	463310-4	BLADE, STRIPPING (#18) 77
1	-	A	461679-1	TOOL, SIZING 76
1	-	A	455888-3	SPACER, SIZING TOOL 75
1	-	A	690603-1	SPRING, ASSIST 74
1	-	A	23030-1	SCR,SKT CAP(6-32x.25)CP DSC 73
				72
				71

QTY	REV	DESCRIPTION	PART NO	ITEM NO
				70
				69
				68
				67
				66
				65
				64
				63
				62
				61
				60
				59
				58
				57
REF	-	B	694433-8	PAWL, FEED 56
				55
				54
				53
				52
1	-	A	811242-2	BUMPER, HOLDDOWN 51
1	-	A	690753-1	SPACER, TONKER 50
				49
1	-	A	690602-6	CAM, PRE-FEED 1.62 STROKE 48
				47
				46
1	-	A	690191-1	PLUG, NYLON 45
1	-	C	455673-1	RAM 44
1	-	A	690125-1	WASHER, LAMINATED 43
1	-	A	690124-1	WASHER, RAM 42
1	-	A	7-21002-9	BOLT, CRIMPER(5/16x1.00) 41
1	-	A	23241-6	BALL, STEEL 40
1	-	A	690170-1	SPRING, COMPRESSION 39
1	-	C	690142-1	DISC, INSULATION 38
1	-	D	354777-1	WIRE DISC, PLASTIC 37
1	-	A	22480-5	WASHER, SPRING 36
1	-	B	690212-1	POST, RAM 35
1	-	B	694074-4	SUPPORT, TERMINAL 34
1	-	C	462544-1	PLATE, BASE SPECIAL 33
1	-	A	690432-3	SCREW, ADJUSTMENT 32
1	-	B	462543-1	BLOCK, SCREW SPECIAL 31
1	-	B	455689-1	BLOCK, STRIP GUIDE ADJ 30
1	-	C	455671-3	PLATE, STRIP GUIDE 29
				28
2	-	A	1-22284-0	SPRING, DRAG 27
1	-	B	690546-1	LEVER, DRAG RELEASE 26
1	-	B	240792-1	DRAG, TERMINAL 25
1	-	D	1-690504-8	GUIDE, STRIP (REAR) 24
1	-	A	690438-1	GUIDE, STRIP (FRONT) 23
				22
1	-	A	463756-1	GUIDE, SCRAP 21
				20
REF	-	C	462615-1	STRIPPER 19
				18
				17
				16
				15
				14
				13
1	-	A	5-22280-0	SPRING, SHEAR 12
1	-	B	690461-2	STOP, SHEAR (FRONT) 11
1	-	B	462548-1	HOLDER, SHEAR (FRONT) SP 10
1	-	B	462547-1	SHEAR, FLOAT (FRONT) SP 9
1	-	C	464158-2	ANVIL 8
				7
				6
1	-	A	462838-1	DEPRESSOR, SHEAR (FRONT) SP 5
1	-	B	238011-6	SPACER, BLOCK CRIMPER 4
1	-	C	4-456135-7	CRIMPER, INSULATION 3
				2
1	-	C	2-456404-5	CRIMPER, WIRE 1

THIS INFORMATION IS CONFIDENTIAL AND IS DISCLOSED TO YOU ON CONDITION THAT NO FURTHER DISCLOSURE IS MADE BY YOU TO OTHER THAN AMP PERSONNEL WITHOUT WRITTEN AUTHORIZATION FROM AMP INCORPORATED, HARRISBURG, PA.

LOC A  
DIST 66



- 1 RECOMMENDED SPARE PARTS.
- 2 GREASE LIGHTLY.
- 3 ITEM NOT SHOWN

QTY	REV	DESCRIPTION	PART NO	ITEM NO
-2	U/M	DWG SIZE		
REVISION OF EACH ASSY NO (WHEN BLANK, USE DWG REVISION)				
PARTS LIST				

QTY	REV	DESCRIPTION	PART NO	ITEM NO
-2	U/M	DWG SIZE		
REVISION OF EACH ASSY NO (WHEN BLANK, USE DWG REVISION)				
PARTS LIST				

DIMENSIONS IN INCHES. DO NOT SCALE PRINT. TOLERANCES UNLESS OTHERWISE SPECIFIED.

3 PLC DEC ±  
4 PLC DEC ±  
ANGLES ±  
SURF TEXTURE: ✓  
REMOVE BURRS, BREAK SHARP EDGES R.015 MAX

MATL	HT TR	FIN
DR 5/24/94 APP 5-24-94 D.SALTZER T.BEDDICK	REL 9/20/94 C.ERISMAN B. MORGAN	AMP Incorporated Harrisburg, PA 17105-3608
NAME STRIPPER CRIMPER APPLICATOR		MACHINE REF STRIPPER CRIMPER
SCALE	DWG NO	REV
	466910	1 of 1 J