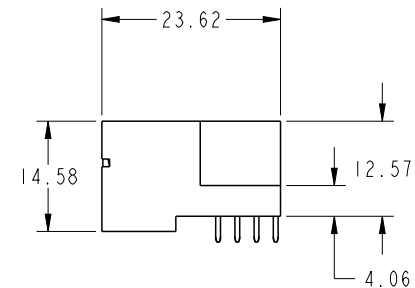
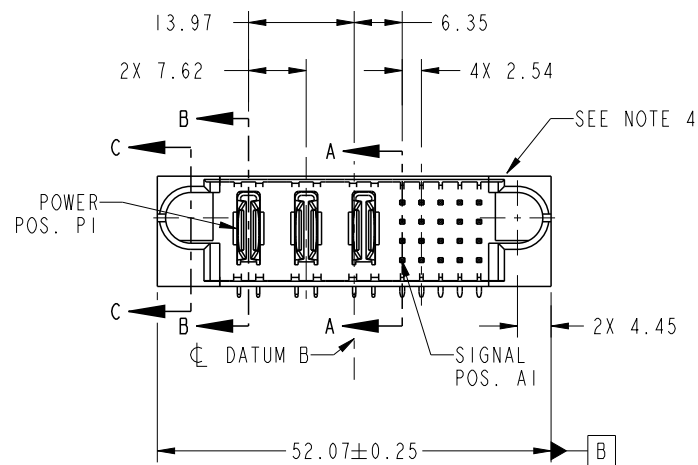


PRODUCT NO.	ROWS	POWER			SIGNAL					
		E1	P1	P2	P3	1	2	3	4	5
51939-700-- NOTE 3	D C B A					UUUUU	TTTTT	SSSSS	RRRRR	

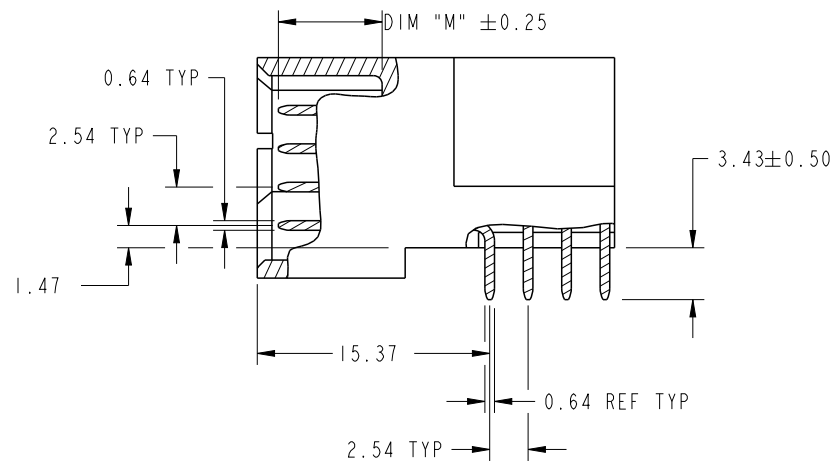


CODE	DIM "M" MATING LENGTH	CONTACT TYPE
U	[6.86]	SIGNAL
T	[6.86]	SIGNAL
S	[6.86]	SIGNAL
R	[6.86]	SIGNAL
PA	[N/A]	POWER

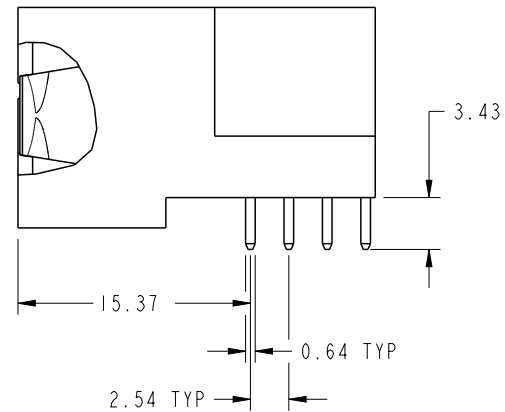
spec ref	*	dr	Luo Weller	2012/08/27	projection	MM	size	A4	scale	1:1
tolerance std	TOLERANCES UNLESS OTHERWISE SPECIFIED	eng	Luo Weller	2012/08/31		←→	ecn no	-	rel level	Released
SEE NOTE		chr	-	-						
surface	linear	appr	Pei-Ming Zheng	2012/09/03	product family	PwrBlade	rev			
	angular									
	0.X	±0.5		title	3ACP + 20S	dwg no	51939-700	rev	A	
	0.XX	±0.25								
	0.XXX	±0.1								
	0°	±2°	www.fci.com	cat. no.	-	Product - Customer Drw	sheet 1 of 4			

PRODUCT NUMBER

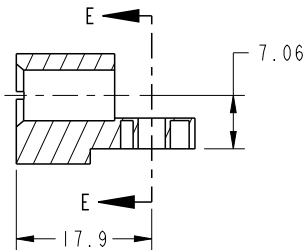
51939-700--  
NOTE: 3



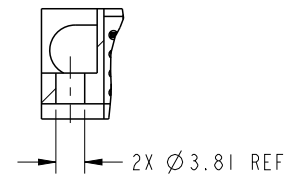
BROKEN-OUT SECTION A-A  
SCALE 2:1



SECTION B-B  
SCALE 2:1



SECTION C-C

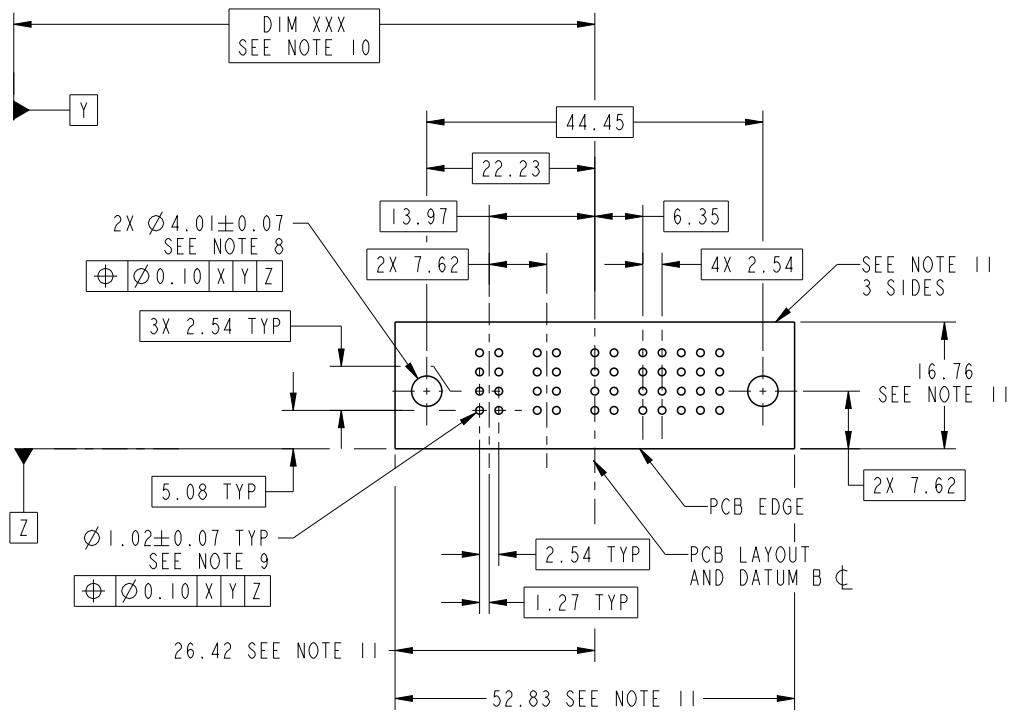


SECTION E-E

dr	Luo Weller	2012/08/27	projection 	MM 	size	A4	scale	1:1
eng	Luo Weller	2012/08/31			ecn no	-		
chr	-	-			rel level	Released		
appr	Pei-Ming Zheng	2012/09/03	product family	PwrBlade	rev	A		
	title	3ACP + 20S RIGHT ANGLE SOLDER HEADER		dwg no	51939-700			
www.fci.com	cat. no.	-	Product - Customer Drw	sheet 2 of 4				

PRODUCT NUMBER

51939-700\_\_  
NOTE: 3



RECOMMENDED PCB LAYOUT

dr	Luo Weller	2012/08/27	projection 	MM 	size	A4	scale	1:1
eng	Luo Weller	2012/08/31			ecn no	-		
chr	-	-			rel level	Released		
appr	Pei-Ming Zheng	2012/09/03	product family	PwrBlade	rel level	Released		
	title	3ACP + 20S RIGHT ANGLE SOLDER HEADER		dwg no	51939-700		rev	A
www.fci.com	cat. no.	-	Product - Customer Drw		sheet 3 of 4			

PRODUCT NUMBER

51939-700--  
NOTE: 3

NOTES:

1. DIMENSIONS AND TOLERANCES ARE IN ACCORDANCE WITH ASME Y14.5M, 1994 UNLESS OTHERWISE SPECIFIED.

CONNECTOR NOTES:

- 2. HOUSING MATERIAL: UL 94 V-0 GLASS FILLED HIGH-TEMP THERMOPLASTIC  
POWER CONTACT MATERIAL: COPPER ALLOY  
SIGNAL PIN MATERIAL: COPPER ALLOY
- 3. SEE ITEM 1 & 2 IN PRINT 10064183 FOR PLATING SPEC OF 51939-700 AND 51939-700LF RESPECTIVELY.
- 4. MANUFACTURER'S NAME, DATE CODE AND OPTIONAL P/N TO APPEAR ON THIS SURFACE. THE P/N CAN BE OMITTED IF THERE IS NOT ENOUGH SPACE ON THIS SURFACE.
- 5. PRODUCT SPECIFICATION GS-12-149.  
APPLICATION SPECIFICATION BUS-20-067.
- 6. PACKAGED IN TRAYS.

PCB NOTES:

- 7. ALL HOLE DIAMETERS ARE FINISHED HOLE SIZE.
- 8. MOUNTING HOLES, WHERE APPLICABLE, ARE UNPLATED.
- 9.  $\varnothing 1.151 \pm 0.025$  DRILLED HOLES PLATED WITH  
0.008 MIN SnPb OR Sn OVER 0.03  
TO 0.08 Cu PLATING TO ACHIEVE  
 $\varnothing 1.02 \pm 0.07$  HOLE.
- 10. "DIM XXX" TO BE DETERMINED BY THE CUSTOMER.
- 11. CONNECTOR KEEP-OUT ZONE.

dr	Luo Weller	2012/08/27	projection 	MM 	size	A4	scale	1:1			
eng	Luo Weller	2012/08/31			ecm no	-					
chr	-	-			product family	PwrBlade	rel level	Released			
appr	Pei-Ming Zheng	2012/09/03			title	3ACP + 20S		dwg no	51939-700	rev	A
www.fci.com		cat. no.	-	Product - Customer Drw			sheet 4 of 4				



Copyright FCI.