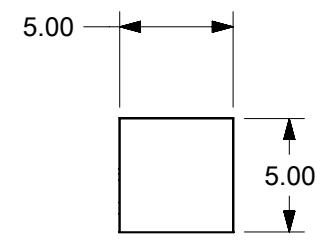
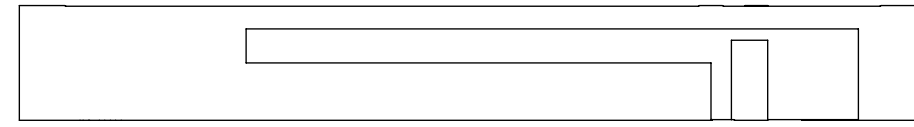
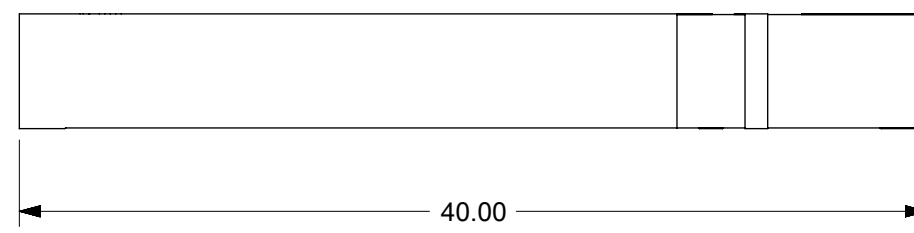


| MOLEX | | | | | CUSTOMER | | 3D REV | CHANGE INFORMATION | | |
|-------------|-----|---------|------------|------------|----------|--------|--------|--------------------|---------------------|------------------|
| DRAWING NO. | REV | ECN NO. | DATA | P/N | P/N | 2D REV | | DRAWING LOCATION | CHANGE DESCRIPTION | AFFECTED DEPT |
| 1462000001 | A | 103559 | 2016/03/25 | 1462000001 | / | / | / | ALL | New Release | AQP/ME/RF/PE/POP |
| 1462000001 | B | 110593 | 2016/11/18 | 1462000001 | / | / | / | ALL | UPDATE FOOTPRINT | AQP/ME/RF/PE/POP |
| 1462000001 | C | 112502 | 2017/02/14 | 1462000001 | / | / | / | ALL | MARK CLEARANCE AREA | AQP/ME/RF/PE/POP |

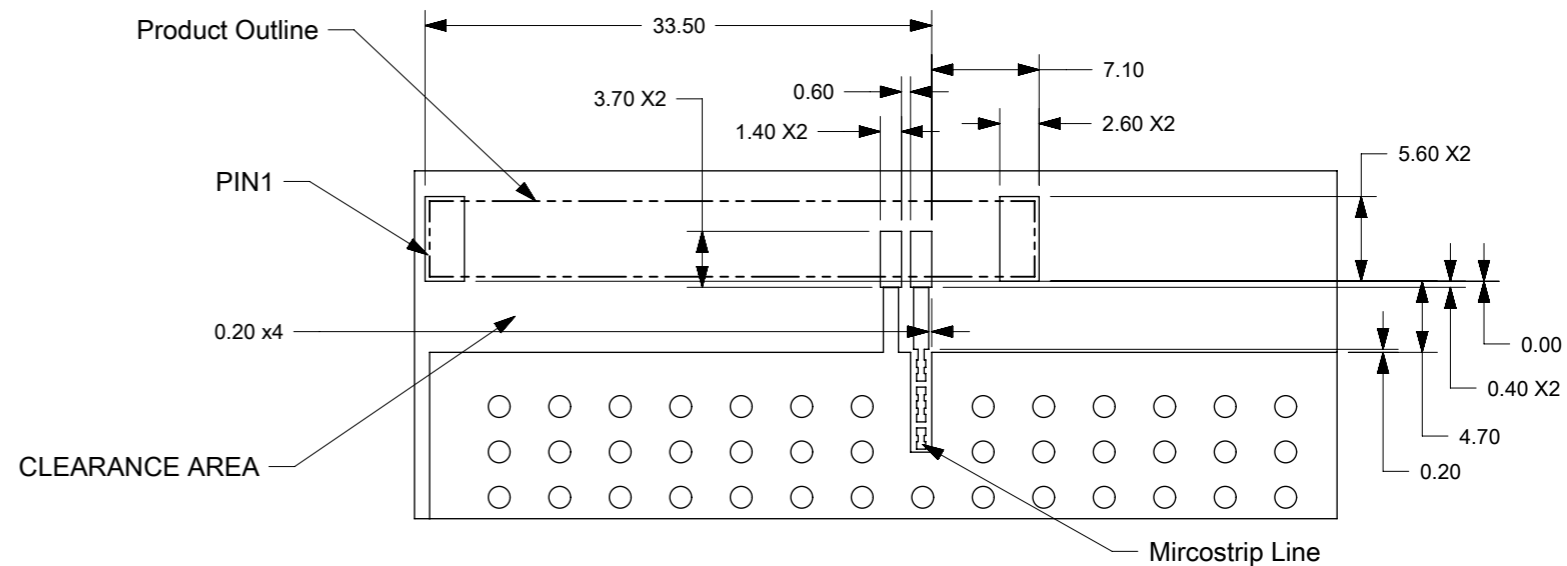
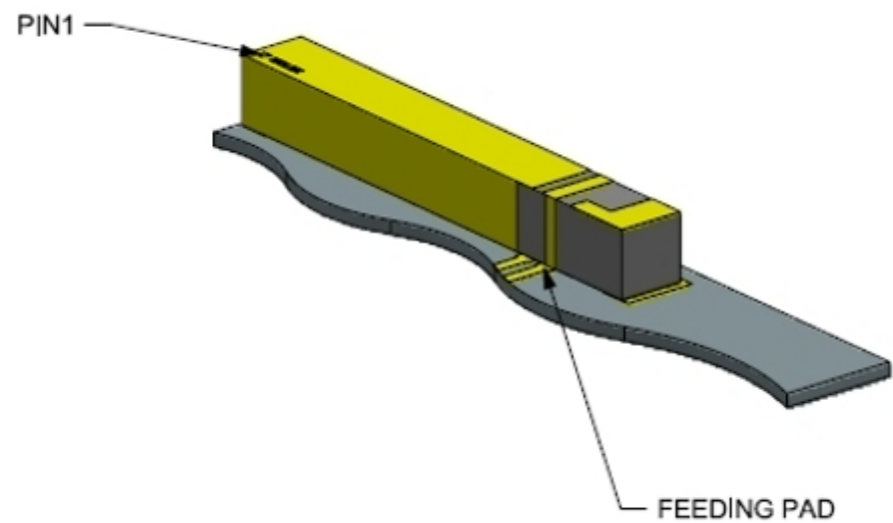


MARK FOR PIN1

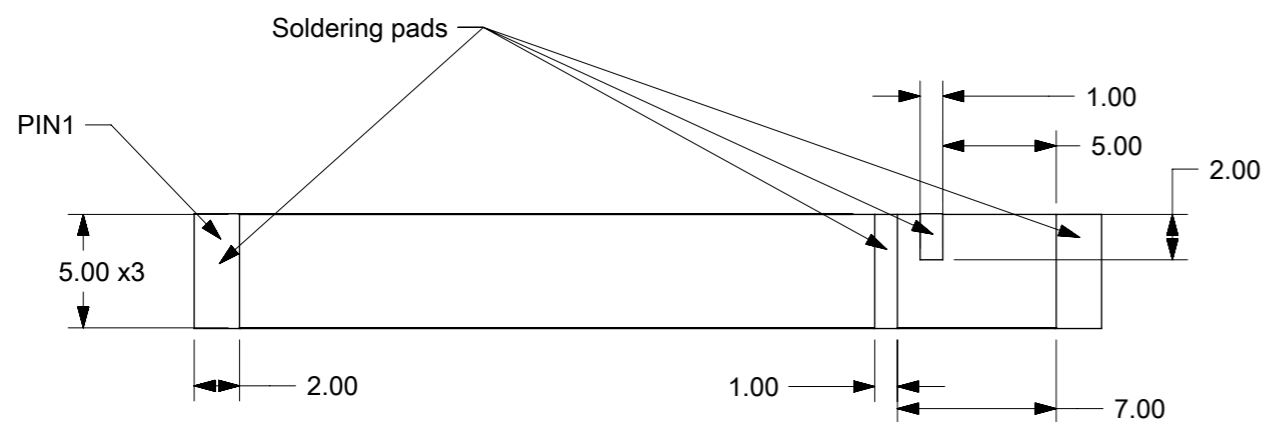


NOTES
 1.MATERIAL: CERAMIC
 2.GENERAL TOLERANCE: ±0.2mm
 3.AG THICKNESS: 8-10UM

| | | | | | | | | | | | |
|---|--|---|--|--------------------------------------|---------------------------------------|--------------------------|--|--|--|--|--|
| THIS DRAWING CONTAINS INFORMATION THAT IS PROPRIETARY TO MOLEX ELECTRONIC TECHNOLOGIES, LLC AND SHOULD NOT BE USED WITHOUT WRITTEN PERMISSION | | | | | | | | | | | |
| QUALITY SYMBOLS | EC NO: 112502 DRWN: TZHOU07 CHKD: ZLRAO APPR: CYU08 | GENERAL TOLERANCES (UNLESS SPECIFIED) | | DIMENSION UNITS | SCALE | | | | | | |
| | | ANGULAR TOL ± ° | | MM | 3:1 | | | | | | |
| | | 4 PLACES ± 3 PLACES ± 2 PLACES ± 1 PLACE ± 0 PLACES ± | | DRWN BY: TZHOU07 DATE: 2016/03/25 | CHK'D BY: YXGAO04 DATE: 2016/05/24 | | | | | | |
| | | DRAFT WHERE APPLICABLE MUST REMAIN WITHIN DIMENSIONS | | DRAWING SIZE: B | THIRD ANGLE PROJECTION | PRODUCT CUSTOMER DRAWING | | | | | |
| | | SERIES: 146200 | | MATERIAL NUMBER: | | CUSTOMER: | | | | | |
| DOCUMENT NUMBER: 1462000001 | | DOC TYPE: PSD | | DOC PART: 000 | | SHEET NUMBER: 1 OF 2 | | | | | |



Recommended PCB Layout



Pads of product for Soldering

| | | | | | | | | | | | | | |
|---|---|--|---|------------------------------|---------------------------|---------------------------------|--|--------------------------------------|------------------------|------------------------|-------------------------------|-------------------------------|------------------------|
| THIS DRAWING CONTAINS INFORMATION THAT IS PROPRIETARY TO MOLEX ELECTRONIC TECHNOLOGIES, LLC AND SHOULD NOT BE USED WITHOUT WRITTEN PERMISSION | | | | | | | | | | | | | |
| QUALITY SYMBOLS | EC NO: 112502 DRWN: TZHOU07 CHK'D: ZLRAO APPR: CYU08 | GENERAL TOLERANCES (UNLESS SPECIFIED) | | DIMENSION UNITS MM | SCALE 1:1 | | | | | | | | |
| | | ANGULAR TOL ± ° | | DRWN BY TZHOU07 | DATE 2016/03/25 | | | | | | | MOLEX FULL LTE ANTENNA | |
| | | 4 PLACES ± | 3 PLACES ± | CHK'D BY YXGAO04 | DATE 2016/05/24 | PRODUCT CUSTOMER DRAWING | | | | | | | |
| | | 2 PLACES ± | 1 PLACE ± | APPR BY CYU08 | DATE 2016/07/14 | | | | | | | SERIES 146200 | MATERIAL NUMBER |
| | | 0 PLACES ± | DRAFT WHERE APPLICABLE MUST REMAIN WITHIN DIMENSIONS | | DRAWING SIZE A3 | THIRD ANGLE PROJECTION | | DOCUMENT NUMBER 1462000001 | DOC TYPE PSD | DOC PART 000 | SHEET NUMBER 2 OF 2 | | |
| | | RELEASE STATUS P1 RELEASE DATE 15.02.2017 06:38:41 | | | | | | | | | | | |