

Customer Information Sheet

DRAWING No.: S523-46

SHEET 3 OF 3

IF IN DOUBT - ASK

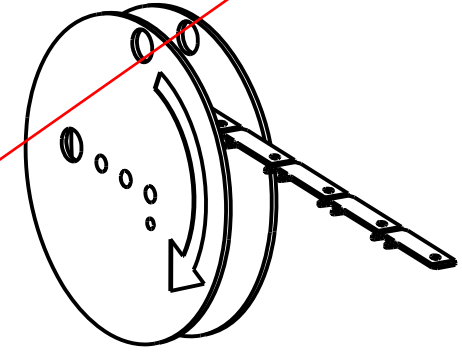
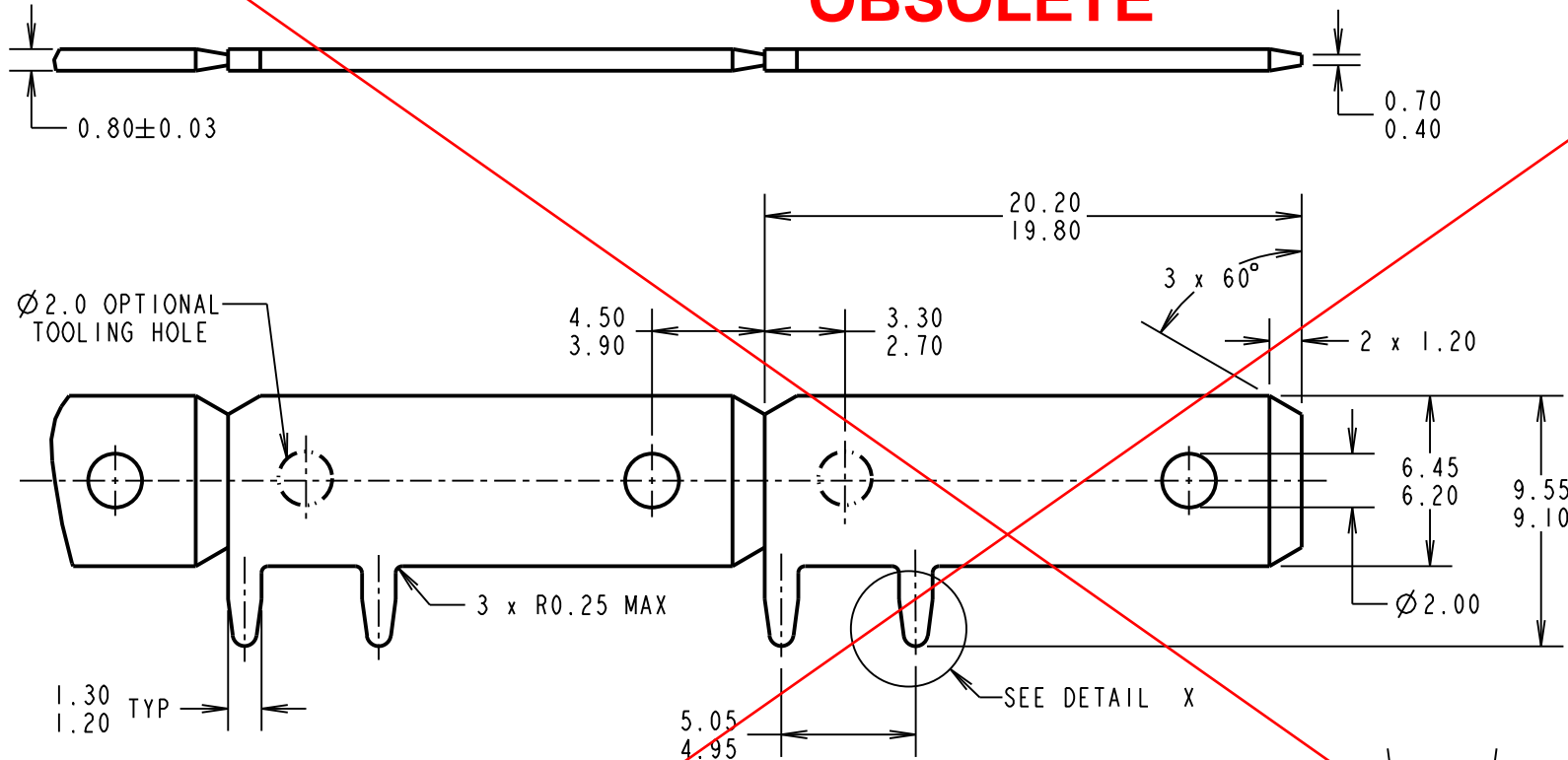
©

NOT TO SCALE

THIRD ANGLE PROJECTION

ALL DIMENSIONS IN mm

OBSOLETE



COMPONENTS REELED READY FOR INSERTION

- NOTES:
1. QUANTITY OF TABS PER REEL = 8K.
 2. TOTAL WEIGHT PER REEL = 7.7kg (INCLUDING REEL).
 3. RECOMMENDED MOUNTING HOLE SIZE = $\varnothing 1.25 \pm 0.06$ mm.
 4. PLATING THICKNESS = 3μ 100% TIN.

SB	15	16.11.11	11532
NAME	ISS.	DATE	C/NOTE
APPROVED:		S. BENNETT	
CHECKED:		S. FLOWER	
DRAWN:		W. J. BOURNE	
CUSTOMER REF.:			
ASSEMBLY DRG:			

HARWIN

www.harwin.com
technical@harwin.com

THIS DRAWING AND ANY INFORMATION OR DESCRIPTIVE MATTER SET OUT HEREON ARE CONFIDENTIAL AND COPYRIGHT PROPERTY OF THE HARWIN GROUP AND MUST NOT BE DISCLOSED, LOANED, COPIED OR USED FOR MANUFACTURING, TENDERING OR FOR ANY OTHER PURPOSE WITHOUT THEIR WRITTEN PERMISSION.

TOLERANCES
X. = ± 1 mm
X.X = ± 0.25 mm
X.XX = ± 0.10 mm
X.XXX = ± 0.01 mm
ANGLES = $\pm 5^\circ$
UNLESS STATED

MATERIAL:
BRASS CW508L
H150 TO BS EN 1652
FINISH: SEE TABLE
S/AREA: mm²

TITLE:
6.3mm BLADE HORIZONTAL REELED TAB TERMINAL
DRAWING NUMBER:
S523-46
SHT 3 OF 3