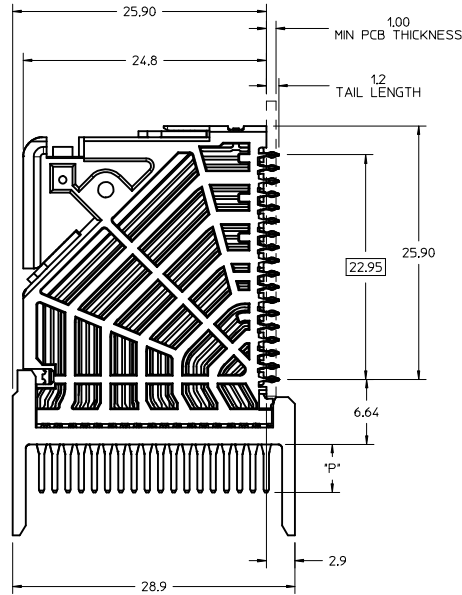
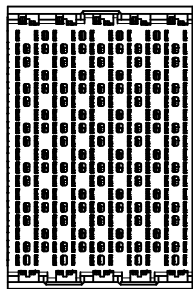
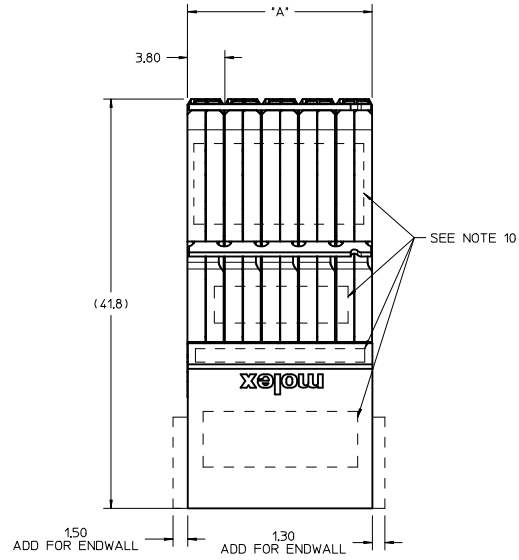


MATERIAL NUMBER	# OF COLUMNS	# OF DIFF PAIR	DIM "A" MAX	DIM "B"	PTH#
76560-11**	10	60	19,00	17,10	0,46+0,05
76560-17**	14	84	26,60	24,70	0,46+0,05
76560-16**	16	96	30,40	28,50	0,46+0,05
76560-11**	10	60	19,00	17,10	0,39+0,05
76560-17**	14	84	26,60	24,70	0,39+0,05
76560-16**	16	96	30,40	28,50	0,39+0,05



76560-****

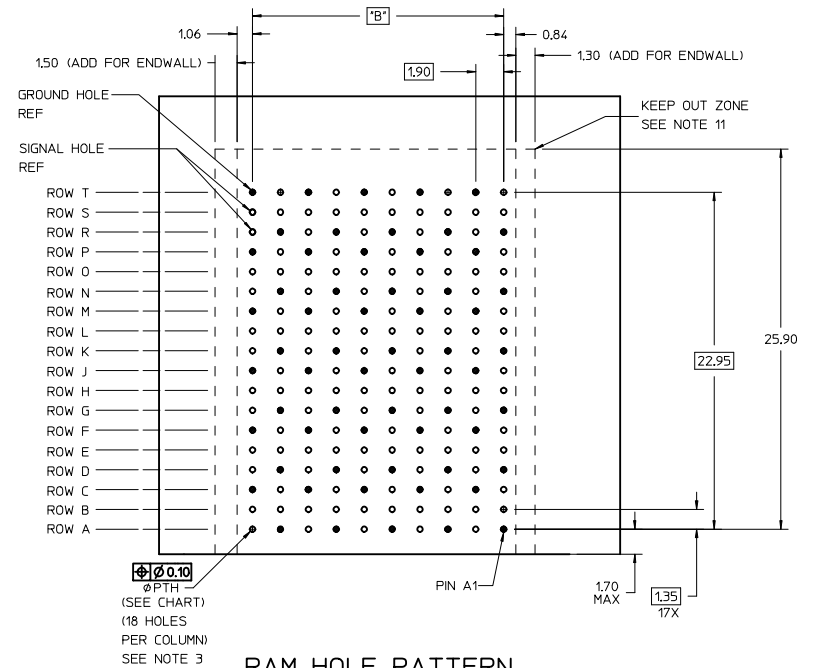
MODULE TYPE
1 = UNGUIDED, LEAD-FREE

OF COLUMNS
1 = 10 COLUMNS
6 = 16 COLUMNS
7 = 14 COLUMNS

PIN LENGTH (P)
4 = 4.90 (0,46 PTH)
5 = 5.50 (0,46 PTH)
7 = 4.90 (0,39 PTH)
8 = 5.50 (0,39 PTH)

END WALL OPTIONS
0 = OPEN
1 = LEFT END WALL
2 = DUAL END WALL
3 = RIGHT END WALL

- NOTES:
1. MATERIALS: HOUSING - LIQUID CRYSTAL POLYMER (LCP), GLASS-FILLED, UL94V-0 TERMINALS - HIGH PERFORMANCE COPPER ALLOY
 2. FINISH: 30µIN SELECTIVE GOLD IN CONTACT AREA, SELECTIVE TIN ON PCB TAILS, NICKEL OVERALL.
 3. REFER TO MOLEX PRODUCT SPECIFICATION PS-76060-999 FOR PERFORMANCE SPECIFICATIONS AND ADDITIONAL PCB INFORMATION.
 4. EACH SIGNAL WAFER CONTAINS 2 COLUMNS OF TERMINALS.
 5. PRODUCT IS PACKAGED PER PK-70873-777.
 6. THIS PART CONFORMS TO CLASS B REQUIREMENTS OF COSMETIC SPEC PS-45499-002.
 7. REFER TO MOLEX SALES DRAWING SD-76150-001 FOR THE MATING RECEPTACLES.
 8. REFER TO MOLEX PCB ROUTING GUIDE AS-76060-990 FOR ANTI PAD AND ROUTING RECOMMENDATIONS.
 9. OPEN WALL VERSION SHOWN FOR CLARITY, SEE PCB LAYOUT FOR OVERALL LENGTH ADDITION ON THE ASSEMBLIES WITH ENDWALLS.
 10. MARKING: LOCATED APPROXIMATELY AS SHOWN. PART NUMBER AND DATE CODE.
 11. THESE DIMENSIONS REPRESENT THE AREA NEEDED TO ACCOMMODATE CONNECTOR INSERTION AND REPAIR ON THE PCB. THIS IS REFERRED TO AS THE "CONNECTOR KEEP OUT ZONE" AND DOES NOT REPRESENT THE ACTUAL PERIMETER OF THE CONNECTOR.

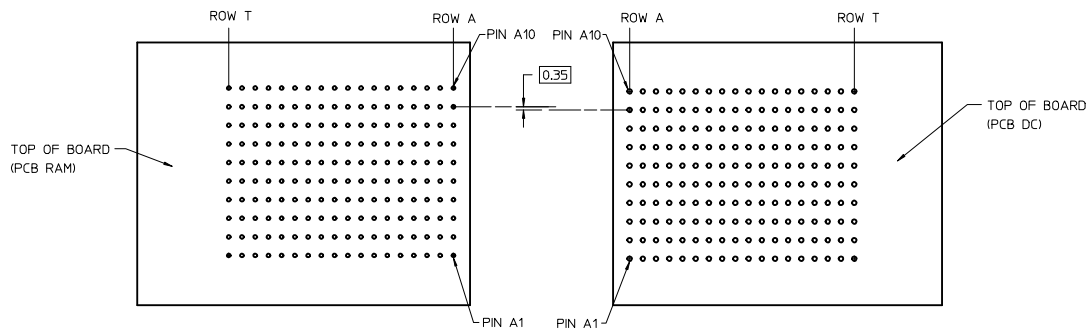
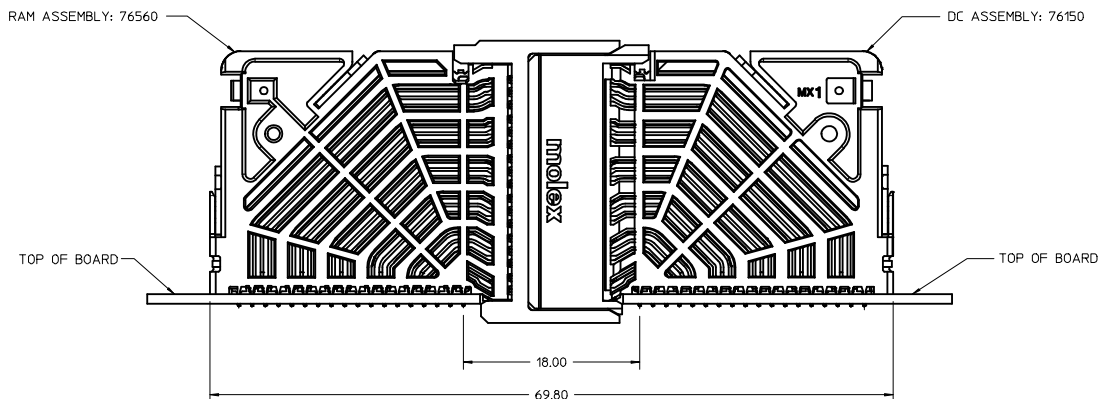


RAM HOLE PATTERN
(CONNECTOR SIDE)

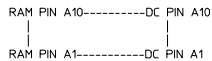
X/PROD RELEASE IEC NO. UCP2015-3090 DRAWN: GONZALEZ01 2014/11/24 CHYD: APPR: TELO 2016/01/10	QUALITY SYMBOLS	GENERAL TOLERANCES (UNLESS SPECIFIED)	DIMENSION STYLE MM ONLY	SCALE 4:1	DESIGN UNITS METRIC	THIRD ANGLE PROJECTION
	▽=0	4 PLACES ± --- ± ---	mm INCH	DRAWN BY DATE JGONZALEZ01 2014/11/24	IMPACT 6 PAIR RAM MARRIED - UNGUIDED SALES DRAWING 	SHEET NO. 1 OF 2
	▽=0	3 PLACES ± --- ± ---	APPROVED BY DATE TELO 2016/01/10	DOCUMENT NO. SD-76560-9001		
	▽=0	2 PLACES ± 0.13 ± ---	ANGULAR ±1/2°	MATERIAL NO. SEE TABLE	THIS DRAWING CONTAINS INFORMATION THAT IS PROPRIETARY TO MOLEX INCORPORATED AND SHOULD NOT BE USED WITHOUT WRITTEN PERMISSION	
	1 PLACE ± 0.25 ± ---	DRAFT WHERE APPLICABLE MUST REMAIN WITHIN DIMENSIONS	SIZE D			

20 19 18 17 16 15 14 13 12 11 10 9 8 7 6 5 4 3 2 1

COPLANER APPLICATION

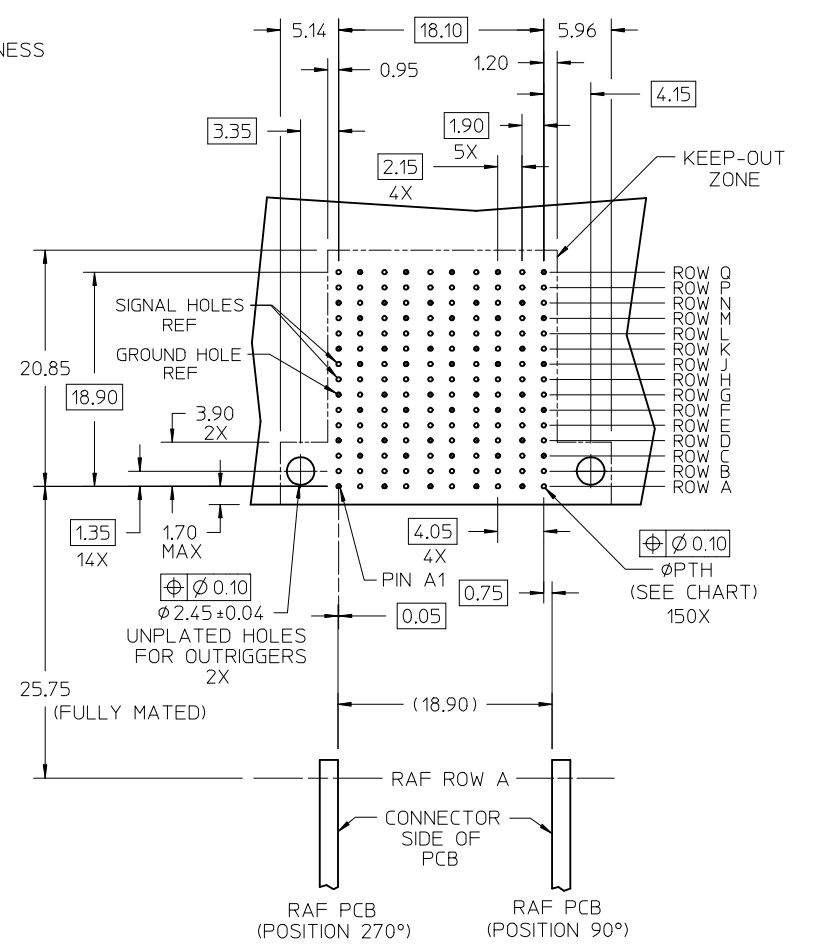
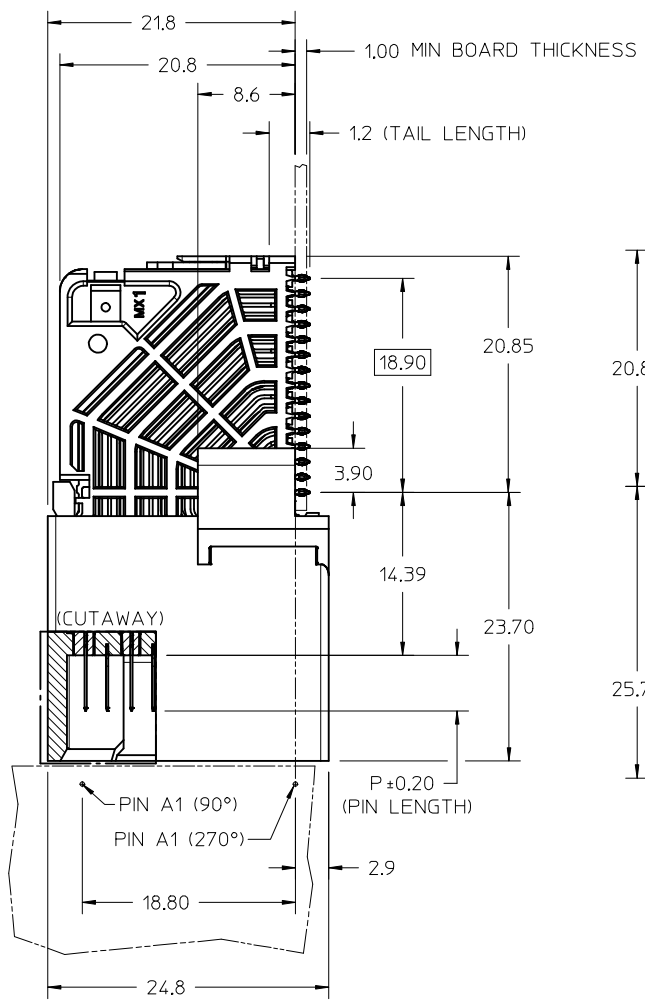
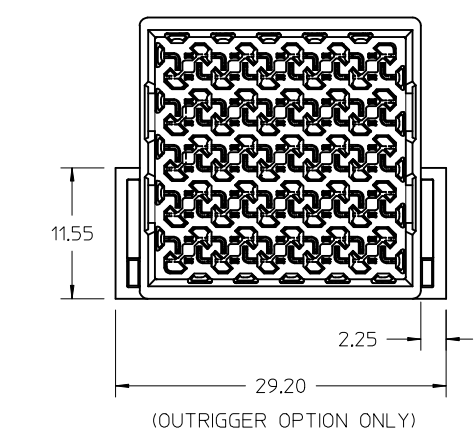
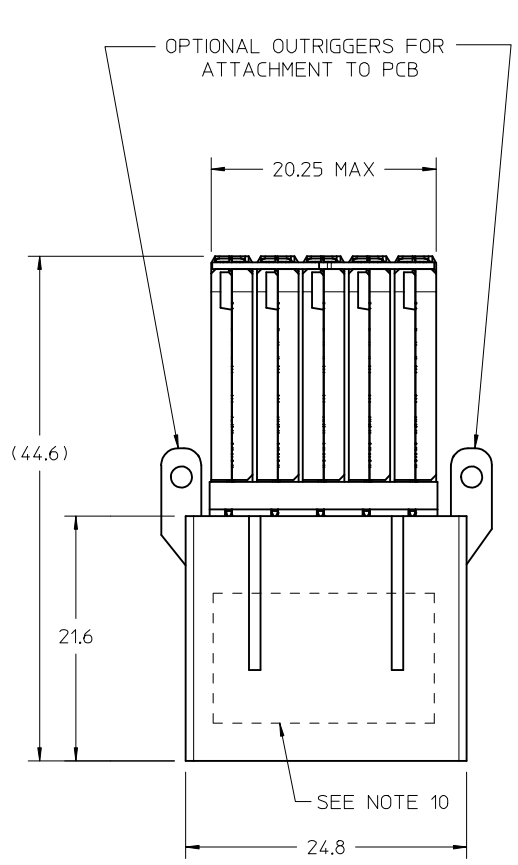


COPLANER MATED SIGNAL PATHS



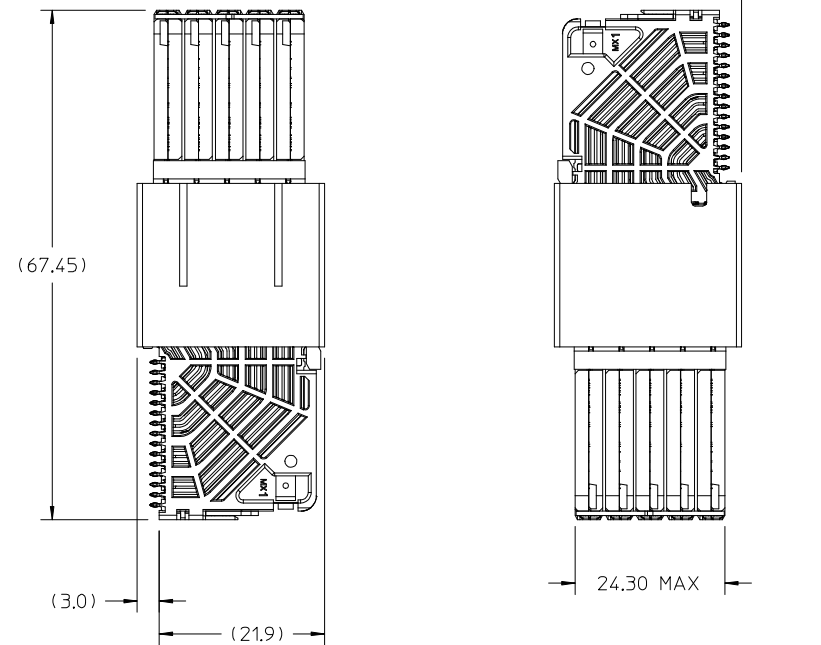
SEE SHEET 1 IEC NO. UCP2015-3090 DRAWN: GONZALEZ01 2014/11/24 CHKD: APPR: TELO 2016/01/10 REV DESCRIPTION	QUALITY SYMBOLS ▽=0 ▽=0 ▽=0		GENERAL TOLERANCES (UNLESS SPECIFIED) mm INCH 4 PLACES ± --- ± --- 3 PLACES ± --- ± --- 2 PLACES ± 0.13 ± --- 1 PLACE ± 0.25 ± --- 0 PLACE ± --- ± --- ANGULAR ± 1/2° DRAFT WHERE APPLICABLE MUST REMAIN WITHIN DIMENSIONS		DIMENSION STYLE MM ONLY DRAWN BY DATE JGONZALEZ01 2014/11/24 CHECKED BY DATE APPROVED BY DATE TELO 2016/01/10		SCALE 4:1	DESIGN UNITS METRIC	THIRD ANGLE PROJECTION
	TITLE IMPACT 6 PAIR RAM MARRIED - UNGUIDED SALES DRAWING								
	MATERIAL NO. SEE CHART								
	DOCUMENT NO. SD-76560-9001								
THIS DRAWING CONTAINS INFORMATION THAT IS PROPRIETARY TO MOLEX INCORPORATED AND SHOULD NOT BE USED WITHOUT WRITTEN PERMISSION									

19 18 17 16 15 14 13 12 11 10 9 8 7 6 5 4 3 2 1

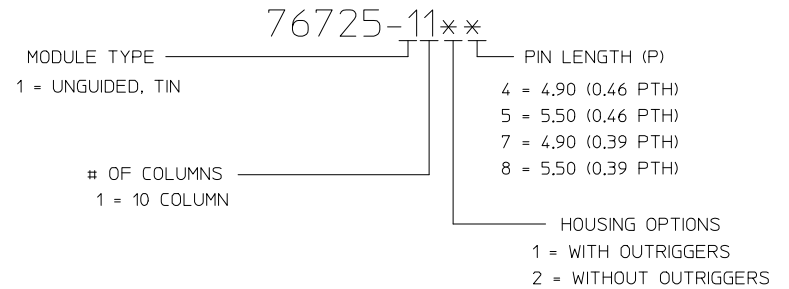


OD-RAM HOLE PATTERN
(CONNECTOR SIDE)

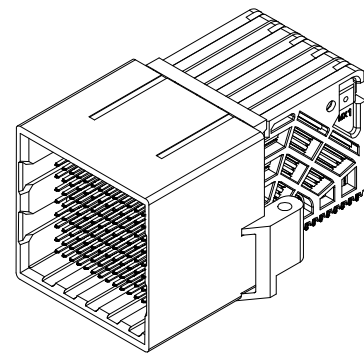
UPDATE TP. LASER MARK EC NO: UCP2016-3973 DRWNG: VARVARA 2015/08/24 CHKD: TELO 2016/02/22 APPR: TELO 2016/04/20	QUALITY SYMBOLS ▽=0 ▽=0	GENERAL TOLERANCES (UNLESS SPECIFIED)		DIMENSION STYLE MM ONLY	SCALE 3:1	DESIGN UNITS METRIC	THIRD ANGLE PROJECTION		
		4 PLACES ± --- ± ---	3 PLACES ± --- ± ---	2 PLACES ± 0.13 ± ---	1 PLACE ± 0.25 ± ---	DRAWN BY JMENDOZA	DATE 2011/04/11	TITLE IMPACT ORTHOGONAL DIRECT 5 PAIR RAM ASSEMBLY UNGUIDED SALES DRAWING	
		ANGULAR ± 1/2°		DRAFT WHERE APPLICABLE MUST REMAIN WITHIN DIMENSIONS		CHECKED BY JB INGHAM	DATE 2011/04/12	MOLEX INCORPORATED	
		MATERIAL NO. SEE CHART		DOCUMENT NO. SD-76725-001		SHEET NO. 1 OF 4		THIS DRAWING CONTAINS INFORMATION THAT IS PROPRIETARY TO MOLEX INCORPORATED AND SHOULD NOT BE USED WITHOUT WRITTEN PERMISSION	



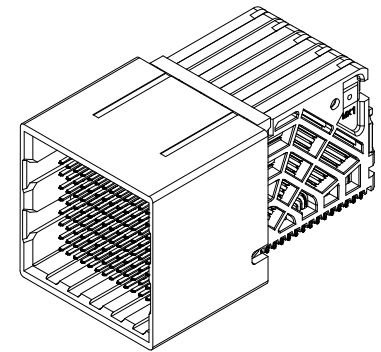
MATERIAL NUMBER	# OF COLUMNS	# OF DIFF PAIR	DIM P	PTH ϕ
76725-11*4	10	50	4.90	0.46±0.05
76725-11*5	10	50	5.50	0.46±0.05
76725-11*7	10	50	4.90	0.39±0.05
76725-11*8	10	50	5.50	0.39±0.05



MATED DIMENSIONS
(POSITION 270° SHOWN, WITHOUT OUTRIGGERS)



OD-RAM WITH OUTRIGGERS



OD-RAM WITHOUT OUTRIGGERS

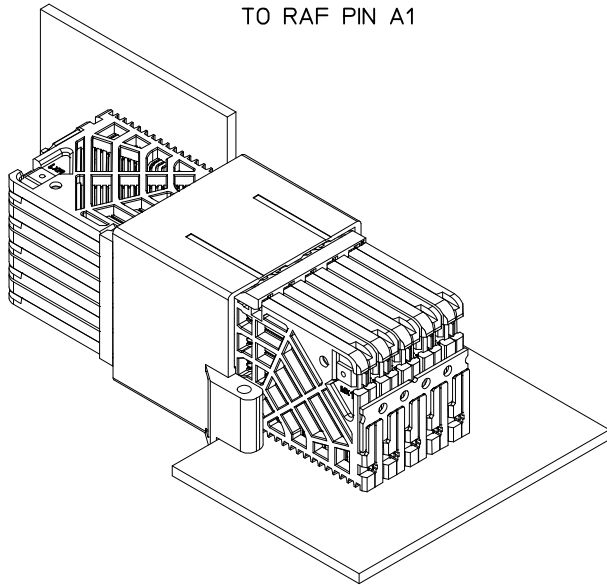
NOTES:

- MATERIALS: HOUSING - LIQUID CRYSTAL POLYMER (LCP)
GLASS-FILLED, UL94V-0
TERMINALS - HIGH PERFORMANCE COPPER ALLOY
- FINISH: 30 μ MIN GOLD IN CONTACT AREA.
SELECTIVE TIN ON PCB TAILS.
NICKEL OVERALL.
- REFER TO MOLEX PRODUCT SPECIFICATION PS-76060-999 FOR PERFORMANCE SPECIFICATIONS AND ADDITIONAL PCB INFORMATION.
- THIS PART CONFORMS TO CLASS B REQUIREMENTS OF COSMETIC SPEC PS-45499-002.
- PACKAGE PER: PK-70873-8010.
- SEE SHEET 3 AND 4 FOR ORTHOGONAL PIN MAPPING.
- REFER TO MOLEX SALES DRAWING SD-76990-001 FOR THE MATING RECEPTACLES.
- REFER TO MOLEX ROUTING GUIDE AS-76850-990 FOR ADDITIONAL PCB LAYOUT AND ROUTING RECOMMENDATIONS.
- CONNECTORS WITH OUTRIGGERS ARE SUPPLIED WITH TWO 2-32 THREAD FORMING SCREWS.
- MARKING: LOCATED APPROXIMATELY AS SHOWN, ON BOTTOM OR TOP OF THE HOUSING. PART NUMBER AND DATE CODE.

SEE SHEET 1 EC NO: UCP2016-3973 DRAWN BY: DRWINDYARVARA 2015/08/24 CHECKED BY: CHKD:TELO 2016/02/22 APPR:TELO 2016/04/20	QUALITY SYMBOLS ▽=0 ▽=0	GENERAL TOLERANCES (UNLESS SPECIFIED)		DIMENSION STYLE MM ONLY		SCALE 2:1	DESIGN UNITS METRIC	THIRD ANGLE PROJECTION	
		mm	INCH	DRAWN BY JMENDOZA	DATE 2011/04/11	TITLE IMPACT ORTHOGONAL DIRECT 5 PAIR RAM ASSEMBLY UNGUIDED SALES DRAWING	MOLEX INCORPORATED		
A2	DESCRIPTION REV	4 PLACES ± --- ± ---	3 PLACES ± --- ± ---	2 PLACES ± 0.13 ± ---	1 PLACE ± 0.25 ± ---	APPROVED BY JB INGHAM	DATE 2011/04/21	DOCUMENT NO. SD-76725-001	
		ANGULAR ±1/2°		DRAFT WHERE APPLICABLE MUST REMAIN WITHIN DIMENSIONS		SEE CHART		SHEET NO. 2 OF 4	
THIS DRAWING CONTAINS INFORMATION THAT IS PROPRIETARY TO MOLEX INCORPORATED AND SHOULD NOT BE USED WITHOUT WRITTEN PERMISSION									

ORTHO POSITION 270°

OD-RAM PIN A1 MAPS
TO RAF PIN A1



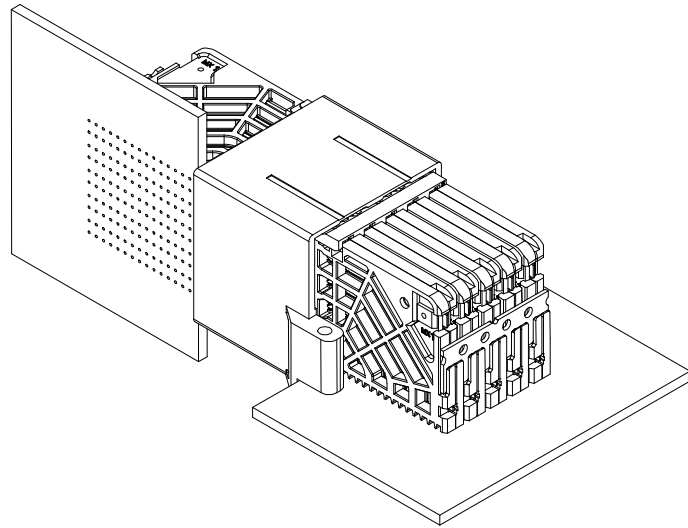
ORTHO PIN MAPPING									
OPTION 270 (NEAR SIDE - FAR SIDE)									
(A1-A1)	A2-B1	(A3-D1)	A4-E1	(A5-G1)	A6-H1	(A7-K1)	A8-L1	(A9-N1)	A10-P1
B1-A2	B2-C1	B3-D2	B4-F1	B5-G2	B6-J1	B7-K2	B8-M1	B9-N2	B10-O1
C1-B2	(C2-C2)	C3-E2	(C4-F2)	C5-H2	(C6-J2)	C7-L2	(C8-M2)	C9-P2	(C10-Q2)
(D1-A3)	D2-B3	(D3-D3)	D4-E3	(D5-G3)	D6-H3	(D7-K3)	D8-L3	(D9-N3)	D10-P3
E1-A4	E2-C3	E3-D4	E4-F3	E5-G4	E6-J3	E7-K4	E8-M3	E9-N4	E10-Q3
F1-B4	(F2-C4)	F3-E4	(F4-F4)	F5-H4	(F6-J4)	F7-L4	(F8-M4)	F9-P4	(F10-Q4)
(G1-A5)	G2-B5	(G3-D5)	G4-E5	(G5-G5)	G6-H5	(G7-K5)	G8-L5	(G9-N5)	G10-P5
H1-A6	H2-C5	H3-D6	H4-F5	H5-G6	H6-J5	H7-K6	H8-M5	H9-N6	H10-O5
J1-B6	(J2-C6)	J3-E6	(J4-F6)	J5-H6	(J6-J6)	J7-L6	(J8-M6)	J9-P6	(J10-Q6)
(K1-A7)	K2-B7	(K3-D7)	K4-E7	(K5-G7)	K6-H7	(K7-K7)	K8-L7	(K9-N7)	K10-P7
L1-A8	L2-C7	L3-D8	L4-F7	L5-G8	L6-J7	L7-K8	L8-M7	L9-N8	L10-O7
M1-B8	(M2-C8)	M3-E8	(M4-F8)	M5-H8	(M6-J8)	M7-L8	(M8-M8)	M9-P8	(M10-Q8)
(N1-A9)	N2-B9	(N3-D9)	N4-E9	(N5-G9)	N6-H9	(N7-K9)	N8-L9	(N9-N9)	N10-P9
P1-A10	P2-C9	P3-D10	P4-F9	P5-G10	P6-J9	P7-K10	P8-M9	P9-N10	P10-Q9
Q1-B10	(Q2-C10)	Q3-E10	(Q4-F10)	Q5-H10	(Q6-J10)	Q7-L10	(Q8-M10)	Q9-P10	(Q10-Q10)

NOTE: PINOUTS SHOWN IN BALLOONS ARE GROUNDS.
GROUND PATHS ARE NOT DISCRETE CIRCUITS.

SEE SHEET 1 EC NO: UCP2016-3973 DRWNG: VARVARA 2015/08/24 CHKD: TELO 2016/02/22 APPR: TELO 2016/04/20 REV: A2	QUALITY SYMBOLS ▽=0 ▽=0	GENERAL TOLERANCES (UNLESS SPECIFIED) <table border="1"> <tr> <th></th> <th>mm</th> <th>INCH</th> </tr> <tr> <td>4 PLACES</td> <td>± .005</td> <td>± .0005</td> </tr> <tr> <td>3 PLACES</td> <td>± .005</td> <td>± .0005</td> </tr> <tr> <td>2 PLACES</td> <td>± 0.13</td> <td>± .005</td> </tr> <tr> <td>1 PLACE</td> <td>± 0.25</td> <td>± .010</td> </tr> </table> ANGULAR ±1/2°		mm	INCH	4 PLACES	± .005	± .0005	3 PLACES	± .005	± .0005	2 PLACES	± 0.13	± .005	1 PLACE	± 0.25	± .010	DIMENSION STYLE MM ONLY	SCALE 2:1	DESIGN UNITS METRIC	THIRD ANGLE PROJECTION
		mm	INCH																		
	4 PLACES	± .005	± .0005																		
	3 PLACES	± .005	± .0005																		
2 PLACES	± 0.13	± .005																			
1 PLACE	± 0.25	± .010																			
DRAWN BY JMENDOZA	DATE 2011/04/11	TITLE IMPACT ORTHOGONAL DIRECT 5 PAIR RAM ASSEMBLY UNGUIDED SALES DRAWING																			
CHECKED BY JB INGHAM	DATE 2011/04/12	APPROVED BY JB INGHAM																			
MATERIAL NO. SEE CHART		DOCUMENT NO. SD-76725-001		SHEET NO. 3 OF 4																	

DRAFT WHERE APPLICABLE MUST REMAIN WITHIN DIMENSIONS
 THIS DRAWING CONTAINS INFORMATION THAT IS PROPRIETARY TO MOLEX INCORPORATED AND SHOULD NOT BE USED WITHOUT WRITTEN PERMISSION

ORTHO POSITION 90°
 OD-RAM PIN A1 MAPS
 TO RAF PIN Q10



ORTHO PIN MAPPING									
OPTION 90 (NEARSIDE - FAR SIDE)									
(A1-Q10)	A2-P10	(A3-M10)	A4-L10	(A5-J10)	A6-H10	(A7-F10)	A8-E10	(A9-C10)	A10-B10
B1-Q9	B2-N10	B3-M9	B4-K10	B5-J9	B6-G10	B7-F9	B8-D10	B9-C9	B10-A10
C1-P9	(C2-N9)	C3-L9	(C4-K9)	C5-H9	(C6-G9)	C7-E9	(C8-D9)	C9-B9	(C10-A9)
(D1-Q8)	D2-P8	(D3-M8)	D4-L8	(D5-J8)	D6-H8	(D7-F8)	D8-E8	(D9-C8)	D10-B8
E1-Q7	E2-N8	E3-M7	E4-K8	E5-J7	E6-G8	E7-F7	E8-D8	E9-C7	E10-A8
F1-P7	(F2-N7)	F3-L7	(F4-K7)	F5-H7	(F6-G7)	F7-E7	(F8-D7)	F9-B7	(F10-A7)
(G1-Q6)	G2-P6	(G3-M6)	G4-L6	(G5-J6)	G6-H6	(G7-F6)	G8-E6	(G9-C6)	G10-B6
H1-Q5	H2-N6	H3-M5	H4-K6	H5-J5	H6-G6	H7-F5	H8-D6	H9-C5	H10-A6
J1-P5	(J2-N5)	J3-L5	(J4-K5)	J5-H5	(J6-G5)	J7-E5	(J8-D5)	J9-B5	(J10-A5)
(K1-Q4)	K2-P4	(K3-M4)	K4-L4	(K5-J4)	K6-H4	(K7-F4)	K8-E4	(K9-C4)	K10-B4
L1-Q3	L2-N4	L3-M3	L4-K4	L5-J3	L6-G4	L7-F3	L8-D4	L9-C3	L10-A4
M1-P3	(M2-N3)	M3-L3	(M4-K3)	M5-H3	(M6-G3)	M7-E3	(M8-D3)	M9-B3	(M10-A3)
(N1-Q2)	N2-P2	(N3-M2)	N4-L2	(N5-J2)	N6-H2	(N7-F2)	N8-E2	(N9-C2)	N10-B2
P1-Q1	P2-N2	P3-M1	P4-K2	P5-J1	P6-G2	P7-F1	P8-D2	P9-C1	P10-A2
Q1-P1	(Q2-N1)	Q3-L1	(Q4-K1)	Q5-H1	(Q6-G1)	Q7-E1	(Q8-D1)	Q9-B1	(Q10-A1)

NOTE: PINOUTS SHOWN IN BALLOONS ARE GROUNDS.
 GROUND PATHS ARE NOT DISCRETE CIRCUITS.

SEE SHEET 1 EC NO: UCP2016-3973 DRWING: VARVARA 2015/08/24 CHKD: TELO 2016/02/22 APPR: TELO 2016/04/20	QUALITY SYMBOLS ▽ = 0 ▽ = 0 ▽ = 0	GENERAL TOLERANCES (UNLESS SPECIFIED)		DIMENSION STYLE MM ONLY	SCALE 2:1	DESIGN UNITS METRIC	THIRD ANGLE PROJECTION	
				DRAWN BY JMENDOZA	DATE 2011/04/11	TITLE IMPACT ORTHOGONAL DIRECT 5 PAIR RAM ASSEMBLY UNGUIDED SALES DRAWING		
				CHECKED BY JB INGHAM	DATE 2011/04/12	MATERIAL NO. SEE CHART		
				APPROVED BY JB INGHAM	DATE 2011/04/21	DOCUMENT NO. SD-76725-001		
A2	REV	DRAFT WHERE APPLICABLE MUST REMAIN WITHIN DIMENSIONS		SIZE C	THIS DRAWING CONTAINS INFORMATION THAT IS PROPRIETARY TO MOLEX INCORPORATED AND SHOULD NOT BE USED WITHOUT WRITTEN PERMISSION			SHEET NO. 4 OF 4