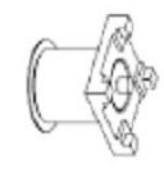


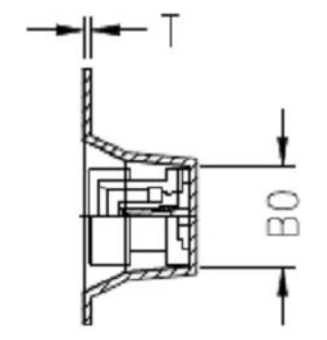
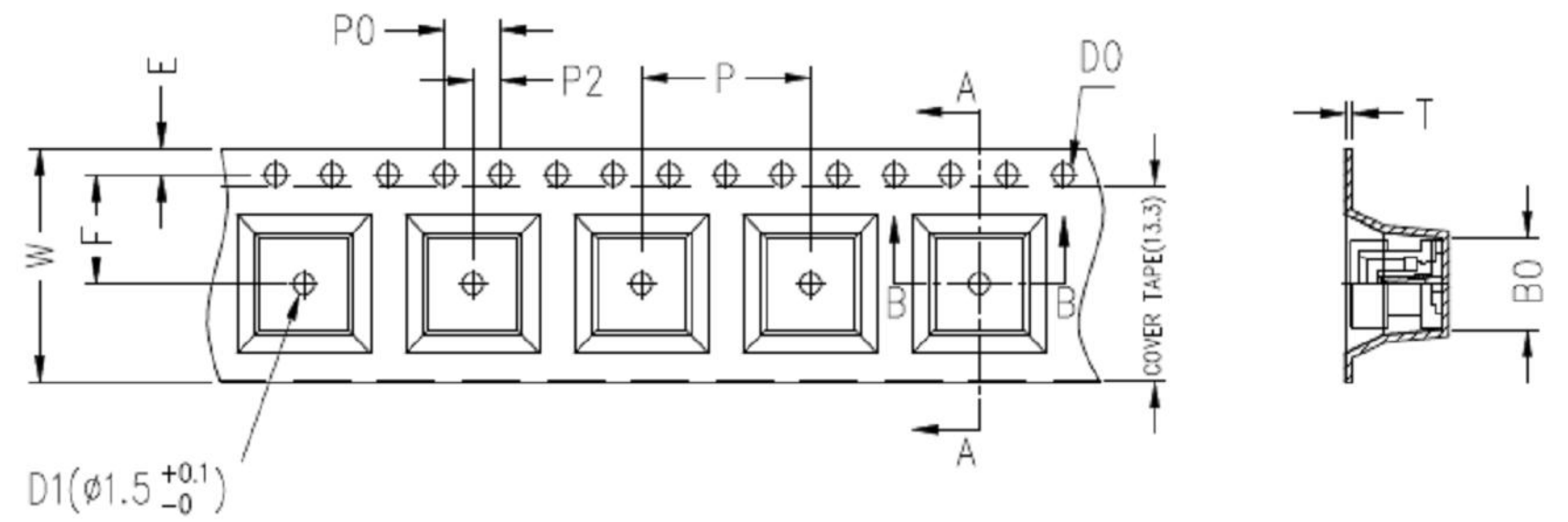


REV	DESCRIPTION	DATE	ECO	APPR
A	RELEASE TO MFG.	07-Mar-18	7170	MZ

**PRELIMINARY ISSUE**



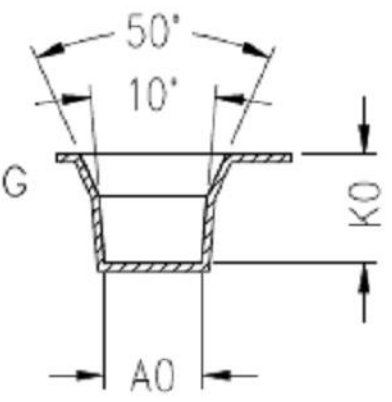
919-384J-51P



SECTION A-A



客户取件方向  
USER DIRECTION OF UNREELING



SECTION B-B

1. 10 sprocket hole pitch cumulative tolerance  $\pm 0.20$  mm.
2. Carrier camber not to exceed 1mm in 250 mm.
3.  $A_0$  and  $B_0$  measured on a plane 0.3mm above the bottom of the pocket.
4.  $K_0$  measured from a plane on the inside bottom of the pocket to the top surface of the carrier.
5. All dimensions meet EIA-481-D requirements.
6. Material: Carrier TAPE, Black PS; REEL, Blue (RoHS Compliant)
7. Thickness:  $0.50 \pm 0.05$  mm.
8. Packing length per 13" reel: 10.6 Meters.
9. Component loader per 13" reel: 800 pcs.

注: 未注公差为:  $\pm 0.10$   
NOTE: ALL TOLERANCES ARE:  $\pm 0.10$ , EXCEPT WHERE NOTED

ITEM	W	$A_0$	$B_0$	$K_0$	$K_1$	P	F	E	$D_0$	$D_1$	$P_0$	$P_2$	T
DIM	$16 \pm 0.3$	$6.3 \pm 0.1$	$6.3 \pm 0.1$	$6.40 \pm 0.1$	/	$12 \pm 0.1$	$7.5 \pm 0.1$	$1.75 \pm 0.1$	$1.5 \pm 0.05$	/	$4.0 \pm 0.1$	$2.0 \pm 0.1$	$0.50 \pm 0.05$

UNLESS OTHERWISE SPECIFIED, DIMENSIONS ARE IN METRIC AND TOLERANCES ARE: < 0.5mm $\pm 0.05$ mm    0.5 - 6mm $\pm 0.1$ mm    6 - 30mm $\pm 0.2$ mm    30 - 120mm $\pm 0.3$ mm    ANGLES $\pm 1^\circ$	MATERIAL	DRAWN M. ZHANG	DATE 01-Feb-18	TITLE MCX P.C. BOARD RECEPT. JACK, TAPE & REEL (SURFACE MOUNT-50 OHMS)		Amphenol RF www.amphenolrf.com	
	NOTICE - These drawings, specifications, or other data (1) are, and remain the property of Amphenol corp. (2) must be returned upon request; and (3) are confidential and not to be disclosed to any person other than those to whom they are given by Amphenol Corp. the furnishing of these drawings, specifications, or other data by Amphenol Corp., or to any other person to anyone for any purpose is not to be regarded by implication or otherwise in any manner licensing, granting rights to permitting such holder or any other person to manufacture, use or sell any product, process or design, patented or otherwise, that may in any way be related to or disclosed by said drawings, specifications, or other data.	REFERENCE SAME AS 919-384J-51P EXCEPT TAPE & REEL PACK CONFIGURATION LEVEL: In Work	ENGINEER S. DUAN	DATE 01-Feb-18	SCALE: 16.0:1.0 SHEET 3 OF 3		DRAWING NO. 919-384J-51PT
FINISH		APPROVED K. CAPOZZI	DATE 07-Mar-18	DWG SIZE B		REV A	
						PART NO. 919-384J-51PT	